

3/28/2018

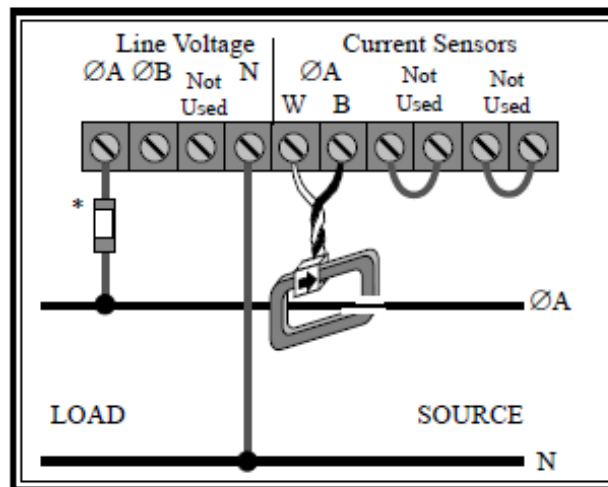
Class 1000 Meter MMU Style Wiring Supplement

Unless specific wiring instructions are provided at the time of order single-phase Class 1000 MMU cabinets do not come with prewired line voltage wiring.

Please note: the proper phase relationship between the meter line voltage input and the current sensor input are critical!

Meter model numbers beginning with E10-2120 and E10-2277

1 Phase, 2 Wire Connection 120 Volt or 277 Volt Single-Phase



Line Voltage Connection: # 14 AWG

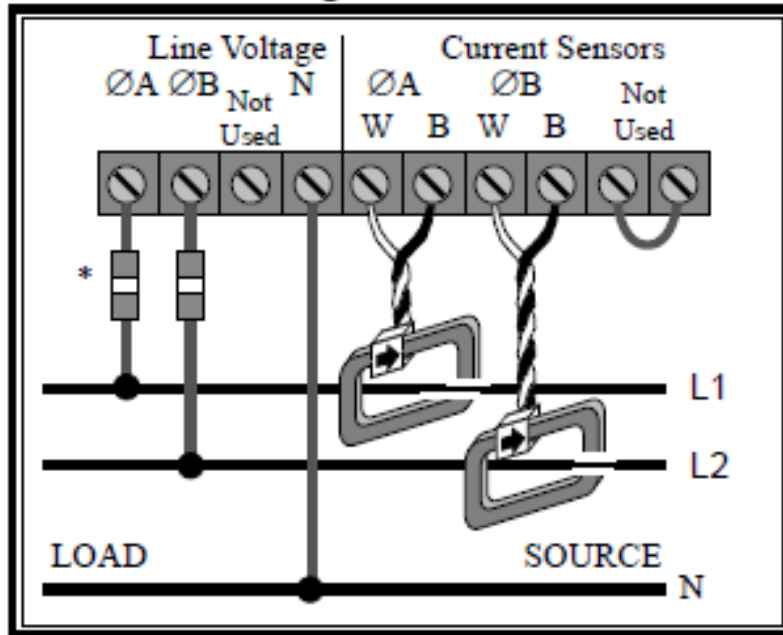
Sensor Connection: B=Black Lead W=White Lead

* 1/10th amp in-line fuses recommended

Shorting wire **MUST** be installed on B & C phase W & B current sensor terminals

Model numbers beginning with E10-3208

2 Phase, 3 Wire Connection 120/240 Volt Single-Phase



Line Voltage Connection: # 14 AWG

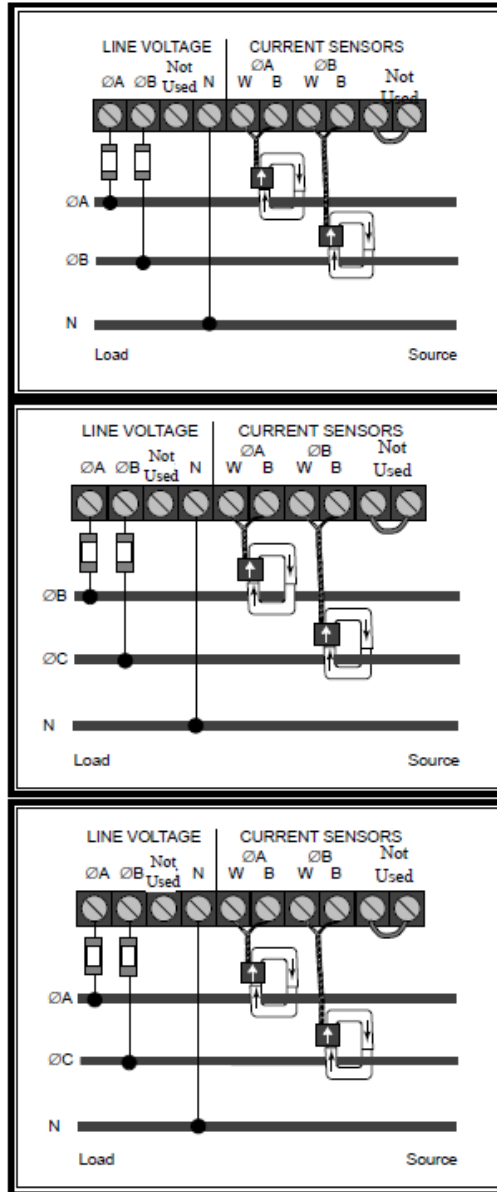
Sensor Connection: B=Black Lead W=White Lead

* 1/10th amp in-line fuses recommended

Shorting wire MUST be installed on C phase W & B current sensor terminal

For model numbers beginning with E10-3208 continued

One Phase, Three Wire Connection. 120/208 Volt Single-Phase (A-B, B-C, A-C).



Use the diagram that corresponds to the existing circuit(s) being monitored.

NOTE: A Shorting link **MUST** be installed on the C phase current sensor inputs.

Line Voltage Connection: # 14 AWG

Sensor Connection: B=Black Lead W=White Lead

* 1/10th amp in-line fuses recommended

Shorting wire **MUST** be installed on C phase W & B current sensor terminal