

3/27/2018

## Class 2000 Single Phase 3 Wire Application

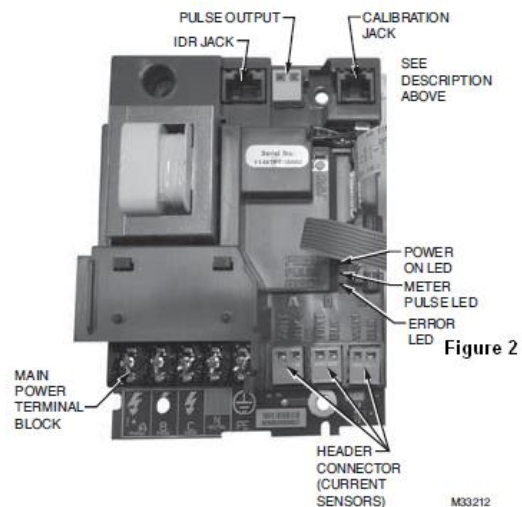
### Alternate Installation Method

Class 2000 three-phase meters are designed for three-phase power. When meter is powered from two phases, “Check Install” installation error message will light up and remain on the LCD display as shown in figure 1. Additionally the Green Error LED will illuminate shown in Figure 2. Meter readings will still be accurate.

Figure 1

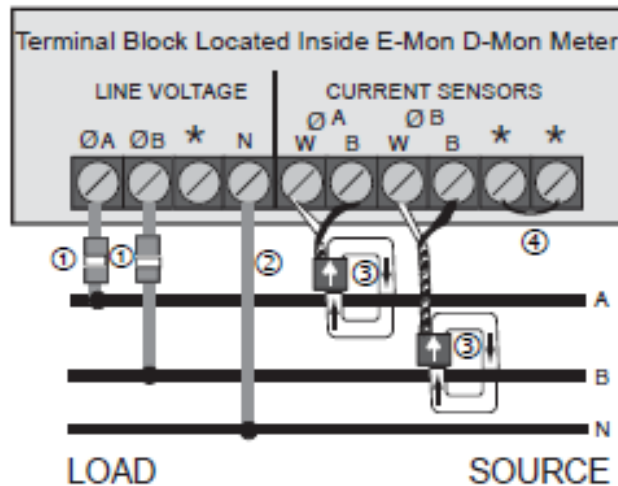


Figure 2



When monitoring a two-pole single-phase load. Connect single-phase (two hot wires) voltage to the meter A Phase and B Phase Line Voltage input terminals. Next, install a jumper wire on the C Phase Current Sensor W & B terminals as shown in figure 3.

Figure 3



- ① Recommended fuses or circuit breaker per the National Electrical Code (Meter load 6VA.)
- \*② Neutral not used in delta system.
- ③ Split-core current sensors. Install according to instructions.
- ④ Install jumper wire.

**Typical Fuses: Littelfuse KLDR.100 (100 ma) Not included. (Consult local electrical codes for requirements.)**

## Preferred Installation Method

The preferred installation method when monitoring a two-pole single-phase load is to connect three-phase line voltage to power the meter. Next, install a jumper wire on the C Phase Current Sensor W & B terminal as shown in figure 4.

Figure 4

