

# Honeywell

## CROP-TROL CONTROLLER

T675F CROP-TROL CONTROLLER PROVIDES CONTROL OF OIL BURNING PORTABLE CROP DRYERS OR SIMILAR EQUIPMENT. CONTROLLER CAN MOUNT DIRECTLY ON THE DRYER WITH SENSING BULB MOUNTED IN THE DISCHARGE AIR DUCT.

- Knob extends through case for manual control point adjustment.
- Differential setting wheel, located under cover, adjusts difference between cut-in and cut-out temperatures.



## T675F

# SPECIFICATIONS

MODEL: T675F Crop-Trol Controller—spdt switch makes R to W and breaks R to B on temperature rise above set point.

ELECTRICAL RATING (amperes):

	120 Vac	240 Vac	24 Vac
Full Load	8.0	5.1	2.0
Locked Rotor	48.0	30.6	—

INDUCTIVE CURRENT: 0.25 A at 0.25 to 12 Vdc.

TEMPERATURE SETTING RANGE: 80 F to 220 F [27 C to 104 C].

DIFFERENTIAL: Midscale, adjustable 5 F to 30 F [2.8 C to 17.0 C].

SENSING ELEMENT: 10 or 20 ft [3 or 6 m] copper capillary with 3/8 X 3 in. bulb.

MAXIMUM CASE TEMPERATURE: 150 F [66 C].

MOUNTING MEANS: Screws through 3 holes in back of case.

FINISH: Gray

DIMENSIONS: See Fig. 1.

UNDERWRITERS LABORATORIES INC. LISTED: File E4436, Vol. 6; Guide No. XAPX.

ACCESSORY: 107324A Capillary Holder for inserting remote bulb, 8-3/8 in. [212.7 mm] long.

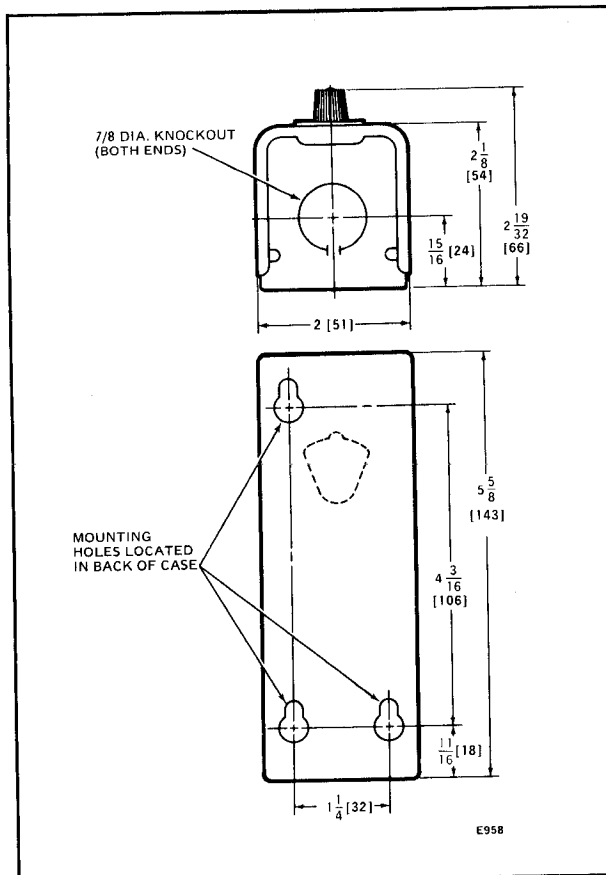


FIG. 1—T675F MOUNTING DIMENSIONS IN in. [mm IN BRACKETS].

(continued on page 3)

# ORDERING INFORMATION

WHEN PURCHASING REPLACEMENT AND MODERNIZATION PRODUCTS FROM YOUR TRADELINE WHOLESALE OR YOUR DISTRIBUTOR, REFER TO THE TRADELINE CATALOG OR PRICE SHEETS FOR COMPLETE ORDERING NUMBER, OR SPECIFY—

1. Order number.
2. Capillary length.
3. Accessory, if desired.

IF YOU HAVE ADDITIONAL QUESTIONS, NEED FURTHER INFORMATION, OR WOULD LIKE TO COMMENT ON OUR PRODUCTS OR SERVICES, PLEASE WRITE OR PHONE:

1. YOUR LOCAL HONEYWELL RESIDENTIAL SALES OFFICE (CHECK WHITE PAGES OF YOUR PHONE DIRECTORY).
2. RESIDENTIAL DIVISION CUSTOMER SERVICE  
HONEYWELL INC., 1885 DOUGLAS DRIVE NORTH  
MINNEAPOLIS, MINNESOTA 55422 (612) 542-7500

(IN CANADA—HONEYWELL LIMITED/HONEYWELL LIMITEE, 740 ELLESMERE ROAD, SCARBOROUGH, ONTARIO M1P 2V9) INTERNATIONAL SALES AND SERVICE OFFICES IN ALL PRINCIPAL CITIES OF THE WORLD.

# INSTALLATION

## WHEN INSTALLING THIS PRODUCT . . .

1. Read these instructions carefully. Failure to follow them could damage the product or cause a hazardous condition.
2. Check the ratings given in the instructions and on the product to make sure the product is suitable for your application.
3. Installer must be a trained, experienced service technician.
4. After installation is complete, check out product operation as provided in these instructions.

## CAUTION

1. Disconnect power supply before beginning installation to prevent electrical shock and equipment damage.
2. Avoid kinking or excessive bending of the tubing as it causes the tubing to become hard and brittle.

## LOCATION AND MOUNTING

Both controller case and sensing bulb can be mounted in any position. Place the bulb in the discharge air duct in an area with good air circulation at average temperatures. The bulb must sense the true temperature of the discharge air; include at least five feet of the capillary tubing with the bulb in the duct. Provide adequate supports for the bulb and tubing. Do not uncoil more tubing than is required; avoid kinking or excessive bending of the tubing.

The T675F controller case mounts with three screws through holes in back of the case. Fig. 2 shows a typical installation of the T675F in a crop dryer.

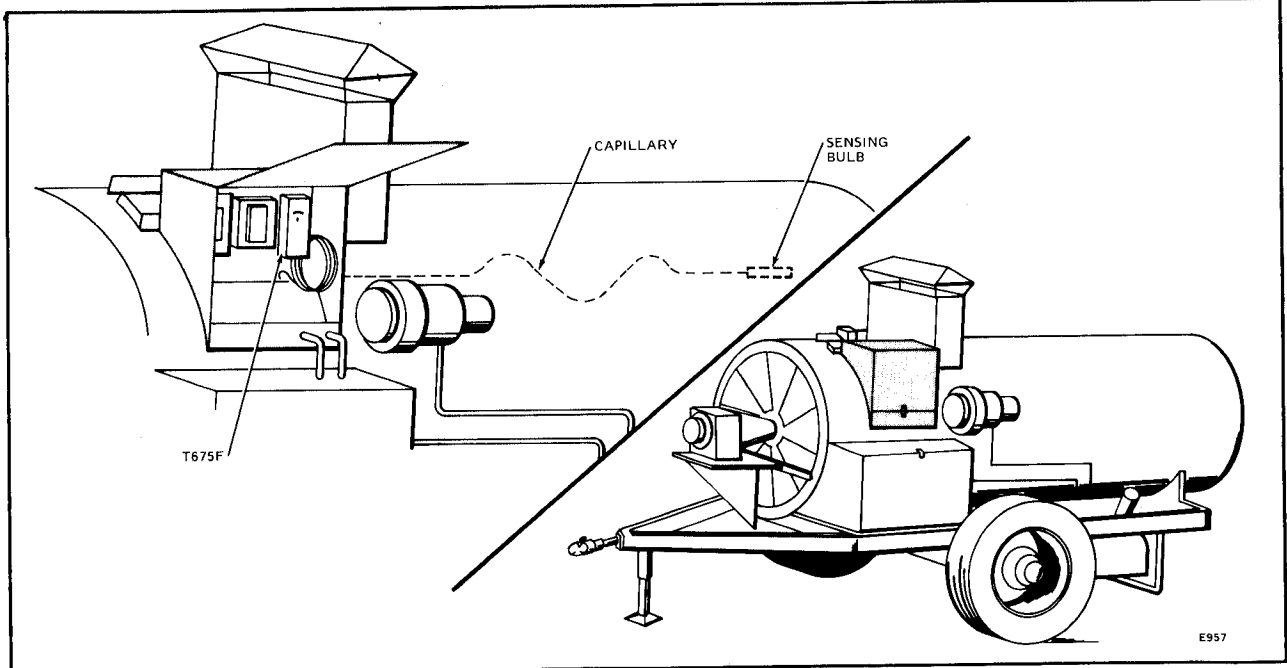


FIG. 2—TYPICAL CROP DRYER AND CROP-TROL INSTALLATION.

## IMPORTANT

When replacing cover, capillary tube should be routed as shown in Fig. 4.

## WIRING

Disconnect power supply before beginning installation to prevent electrical shock and equipment damage.

All wiring must agree with local codes and ordinances. Refer to installation information furnished with the equipment and to Fig. 3 below.

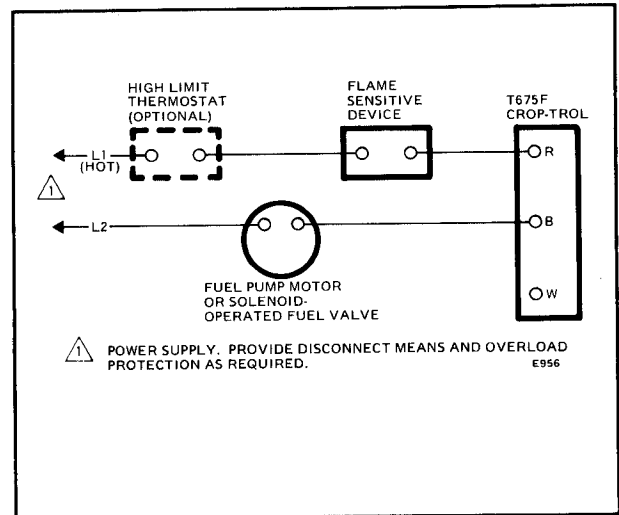


FIG. 3—TYPICAL T675F CONTROLLER WIRING.

## SETTING

Use the knob located beneath the control setting scale to turn scale to the desired set point. The scale setting is the cut-out point; switch opens R to B and closes R to W. The cut-in point is the scale setting minus differential; switch opens R to W and closes R to B. To set differential, remove cover from the T675F. Move the differential adjustment wheel to the desired set point on the differential scale (Fig. 4). Replace control cover; it should be on the control at all times. No lubrication is required.

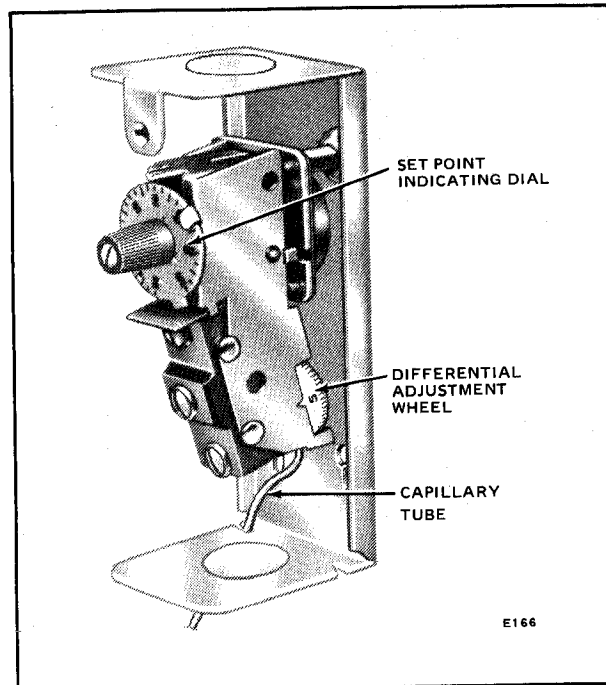


FIG. 4—ADJUSTABLE DIFFERENTIAL SCALE AND LEVER.

## CHECKOUT

With temperature and differential set as desired, operate the system until equipment cuts out. Note the set point. Slowly turn the setting lever upscale until equipment cuts in, and note the new setting. The difference between settings should approximately

equal the differential setting. Lower temperature scale to original set point; equipment should cut out within a few minutes. If equipment does not cut in and cut out properly, adjust differential until equipment operates as intended.

If questions arise regarding installation, operation, or checkout of this equipment, contact your distributor or local Honeywell representative.

Dear Customer,

We welcome your comments and suggestions for improving this publication. Your assistance is greatly appreciated and will enable us to provide better technical information for you.

Please send your comments and suggestions to:  
Honeywell Inc.  
10400 Yellow Circle Drive  
Minnetonka, Minnesota 55343  
ATTN: Publications Supervisor MN38-3247

HONEYWELL MINNEAPOLIS, MN 55408 INTERNATIONAL Sales Offices in all principal cities of the world. Manufacturing in Australia, Canada, Finland, France, Germany, Japan, Mexico, Netherlands, Spain, Taiwan, United Kingdom, U.S.A.  
PRINTED IN U.S.A.