

## C7021P / C7023P / C7041P Button Probe Sensors

10K OHM NTC TYPE II / TYPE III & 20K OHM NTC

### INSTALLATION INSTRUCTIONS



3. Installer must be a trained, experienced service technician.
4. After installation is complete, check out product operation as provided in these instructions.

### Mounting

The Button Probe Sensor design simplifies mounting into a variety of standard structural materials. See Fig. 1 for dimensions.

The locking nut can be used to secure the probe. See Fig. 2.

The plastic spacer helps insulate the probe from drywall, wood, or other material in which the probe is mounted. See Fig. 3. The spacer is sized to fit snugly into 1/2 in. metal conduit. See Fig. 4.

#### NOTES:

- The plastic spacer is threaded for easy installation.
- Use of both the locking nut and spacer requires cutting spacer to shorter length.

### Mounting Recommendations

- Determine the proper location based upon the following:
- Mount the probe to an inside wall approximately 54 in. (1372 mm) from the floor (or in the specified location) to allow exposure to the average zone temperature.
  - Do not mount the probe to an outside wall, a wall containing water pipes, or near air ducts.
  - Avoid locations exposed to register discharge air, or radiation from lights, appliances, or the sun.

### MODEL SELECTION

The button probe sensor is available in the following models to meet most application needs:

- C7021P2004: 10K Ohm NTC Type II
- C7023P2004: 10K Ohm NTC Type III
- C7041P2004: 20K NTC Ohm

### MORE INFORMATION

To see the complete line of Honeywell sensors, download the Sensor Product Overview brochure (63-9285) from [customer.honeywell.com](http://customer.honeywell.com).

### INSTALLATION

#### When Installing this Product...

1. Read these instructions carefully. Failure to follow them could damage the product or cause a hazardous condition.
2. Check ratings given in instructions and on the product to ensure the product is suitable for your application.



**Be sure to take advantage of the entire line of quality Honeywell C7021/C7023/C7031/C7041 Sensors**

**C7021K,  
C7023K,  
C7041K  
Strap-on**

**C7021F,  
C7023F,  
C7031G,  
C7041F  
Outdoor**

**C7021R,  
C7023R,  
C7041R  
Duct Rigid Copper**

**C7021P,  
C7023P,  
C7041P  
Button Probe**

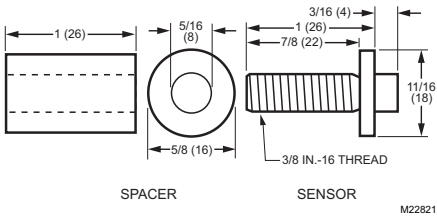
**C7021D,  
C7023D,  
C7031D,  
C7041D  
Immersion**

**C7021B/C,  
C7023B/C,  
C7041B/C  
Duct**

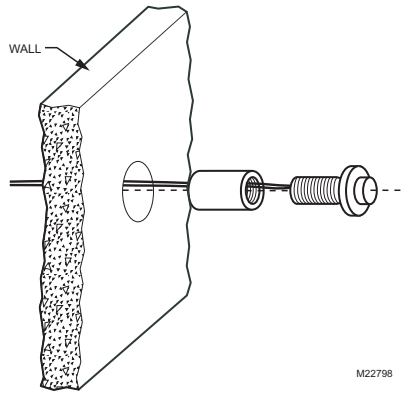
**AVERAGING**

**Duct Cable**

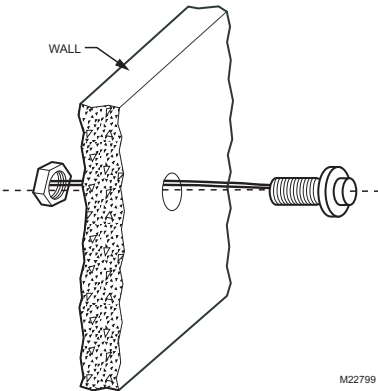
**C7021J,  
C7023J,  
C7031J,  
C7041J**



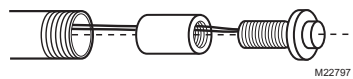
**Fig. 1. Dimensions of the Button Probe Sensor in in. (mm).**



**Fig. 3. Mounting sensor in wall with spacer only.**



**Fig. 2. Mounting sensor in wall with nut only.**



**Fig. 4. Mounting sensor in conduit.**

By using this Honeywell literature, you agree that Honeywell will have no liability for any damages arising out of your use or modification to, the literature. You will defend and indemnify Honeywell, its affiliates and subsidiaries, from and against any liability, cost, or damages, including attorneys' fees, arising out of, or resulting from, any modification to the literature by you.

**Automation and Control Solutions**

Honeywell International Inc.  
 1985 Douglas Drive North  
 Golden Valley, MN 55422  
 yourhome.honeywell.com

