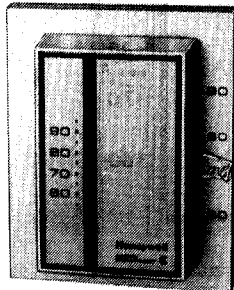
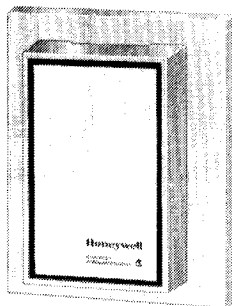


Honeywell

T7047A-C ELECTRONIC THERMOSTATS, REMOTE SPACE SENSORS



T7047A



T7047C

THE T7047 ELECTRONIC THERMOSTATS, REMOTE SPACE SENSORS ARE USED IN SERIES 70 CONTROL SYSTEMS TO PROVIDE MODULATING SPACE TEMPERATURE CONTROL.

T7047A T7047B T7047C

- T7047A thermostat is for use in 2-wire electronic systems.
- T7047B is a 3-wire thermostat for use with M7044, M7045 motors.
- T7047C is a 2-wire remote space sensor for applications requiring remote set point adjustment.
- Carbon type negative temperature coefficient (NTC) thermistor sensing element.
- Locking cover.
- Cover thermostat available on most models.

T7047A ONLY

- Set point ranges to 60° F to 90° F [16 C to 32 C] and 30° F to 60° F [-1 C to +16 C] available.

T7047A,B ONLY

- Set point adjustable from 60° F to 90° F [16 C to 32 C].
- Set point adjusted by external lever or concealed setting knob.
- Range stops (on models with set point lever) limit adjustment range or lock at selected set point.

SPECIFICATIONS

MODELS: T7047 Electronic Thermostats, Remote Space Sensors.

T7047A—2-wire thermostat for use in 2-wire systems.

T7047B—3-wire thermostat for use with M7044, M7045 motors.

T7047C—2-wire remote sensor without internal adjustment means; requires remote set point device such as S963B, T7067B, T7080B.

—T7047C1009, T7047C1017 2-wire remote sensor for use with 3-wire control systems such as M7044, M7045 motors.

—T7047C1025 2-wire remote sensor for use with control systems such as the W927, W960, W973.

—T7047C1082 2-wire remote sensor for use with T7080B Transmitter in W7080 Multizone control System.

TEMPERATURE SENSOR: Thermistor-resistor element.

SENSOR RESISTANCE: Negative temperature coefficient (NTC).

Resistance decreases as temperature increases.

T7047A—1715 ohms nominal with control point set at ambient; resistance changes 15 ohms for each 1° F [0.6 C] temperature change.

T7047B—with control point set at ambient, resistance across R-B terminals subtracted from resistance across R-T terminals equals approximately 1700 ohms. Resistance changes 21 ohms for each 1° F [0.6 C] temperature change.

T7047C1009, T7047C1017—1700 ohms nominal at 75° F [24 C]; resistance changes 21 ohms for each 1° F [0.6 C] temperature change.

T7047C1025—1420 ohms nominal at 75° F [24 C]; resistance changes 15 ohms for each 1° F [0.6 C] temperature change.

T7047C1082—22,800 ohms nominal at 77° F [25 C]; resistance changes nominally 800 ohms for each 1° F [0.6 C] temperature change at typical ambient room temperature.

SETTING RANGE: T7047A, 60° F to 90° F [16 C to 32 C], or 30° F to 60° F [-1 C to +16 C]; T7047B, 60° F to 90° F [16 C to 32 C].

SET POINT ADJUSTMENT:

T7047A,B—setting knob concealed under cover or external lever with range stops.

T7047C—remote set point device such as S963B, T7067B, T7080B.

COVER THERMOMETER: Available on most models.

Element—bimetal.

Range—55° F to 95° F [13 C to 35 C].

MOUNTING: Mounts on wall or 2 x 4 in. vertical outlet box with screws provided.

DIMENSIONS: See Fig. 1.

ACCESSORIES:

T7047C1009, T7047C1017—360 ohm S963B1003 Remote Set Point Potentiometer.

T7047C1025—480 ohm S963B1037 Remote Set Point Potentiometer; T7067B Single Zone System Transmitter.

T7047C1082—T7080B Multizone System Transmitter.

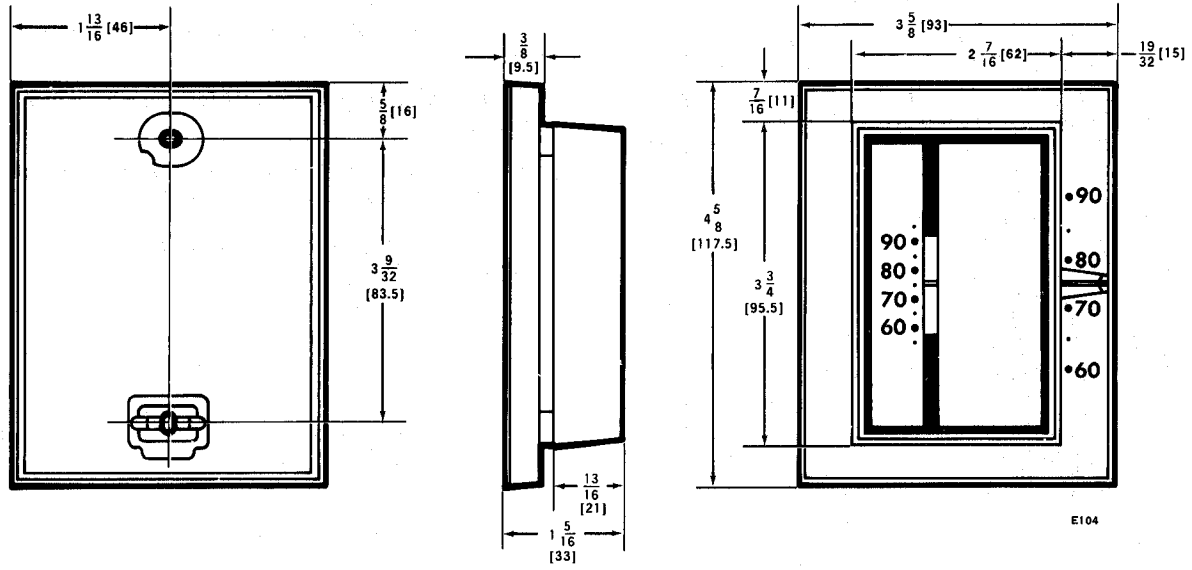


Fig. 1—DIMENSIONS OF T7047A,B,C IN In. [mm IN BRACKETS]. T7047C DOES NOT INCLUDE THERMOMETER AND EXTERNAL SETTING LEVER.