



TR21-WS, TR23-WS, TR21-WK, TR23-WK, WRECVR

The WRECVR receiver and TR21-WS, TR23-WS, TR21-WK, and TR23-WK are a family of wireless wall modules and receiver that is compatible with various Honeywell and non-Honeywell controllers, including:

- Spyder Unitary Controllers: PUL, PVL
- Excel 10 W7750, W7751, W7752, and W7753 controllers
- Honeywell Excel 600, 500, 100, and 80 (all fully programmable) controllers
- W7761 Controller
- T7350 thermostats
- will not work with TB7200 and TB8220 thermostats
- Compatibility with various other Honeywell and non-Honeywell controllers

SPECIFICATIONS

Models:

TR21-WK: Kit (TR21 and WRECVR bound at factory)

TR23-WK: Kit (TR23 and WRECVR bound at factory)

Replacements:

TR21-WS: Wireless Temperature sensor

TR23-WS: Wireless Temperature sensor, with Setpoint Knobs (°F, °C, and Relative [warmer to cooler]), O/R Button, and LED

WRECVR: Receiver

Environmental Ratings:

- Wall Module Operating Temperature: 45° to 99°F (7° to 37°C).
- Receiver Operating Temperature: -40° to 150°F (-40° to 65.5°C).
- Storage Temperature: -40° to 150°F (-40° to 65.5°C).
- Operating Humidity: 5% to 95% RH (non-condensing)

Dimensions: See Fig. 1 and 2.

Accuracy: +/- 1°F (+/- 0.5°C) across 12°C to 30°C

Setpoint Range for TR23: 56° to 84°F (13° to 29°C)

Accessories: 50007298-001 (pack of 12) medium, cover plate; 6-7/8 x 5 in. (175 x 127 mm).

Power:

Receiver Voltage: 20 – 30VAC/DC

Housing: Wall Module: UL94-HB, Receiver: UL94-5VA

Radio Frequency 2.4 GHz (IEEE Std 802.15.4-2003 compliant)

- Open Range: 3000 feet
- Typical Range: 100 feet
- Output power: 16dBm
- Receiver power consumption: <0.5 VA

Approximate battery life under normal operating conditions:

- 5 years with two AA Alkaline batteries (included)
- 7.5 years with two AA Lithium Batteries

SPECIFICATION DATA

FEATURES

- **Wall module to Receiver (point to point) wireless kits can replace any standard wired sensor**
- **Wireless Kits (wall module and receiver) are pre-bound at the factory for quick installation**
- **Signal Strength LED built into the wall module**
- **Low battery indication**
- **Optional dip switches available to bind any wall module to any receiver**
- **Approximate 5 year battery life with AA Alkaline (included), 7.5 year with Lithium**
- **Locking screw discourages tampering and battery theft.**

Transmission interval: 30 seconds

Pressing override button or signal strength button will force an immediate transmission.

Approvals:

This device complies with Part 15 of the FCC rules. Operation is subject to the following two conditions:

- 1) this device may not cause harmful interference, and
- 2) this device must accept any interference received, including interference that may cause undesired operation.

General Rules for Installing Wireless Wall Modules

Communication between the wall module and receiver can be influenced by a number of factors. Type and thickness of building materials and the way in which they are oriented in relation to the wall module and receiver will affect communication.

Do not place either the wall module or receiver inside metal cabinets or enclosures. Try to orient the wall module and receiver so that if they are separated by a wall(s), the direction of signal travel is as perpendicular to the wall(s) as possible. This reduces the effective wall thickness.

When mounting the receiver on a metal duct, stronger communication is possible if the wall module is on the same side of the duct so the signal doesn't need to travel through the metal duct.

Reduce as much as possible the amount of metal (ducts, file cabinets, etc.) between the sensor and the wall module.

Standard drywall (gypsum board) does not greatly affect signal strength.



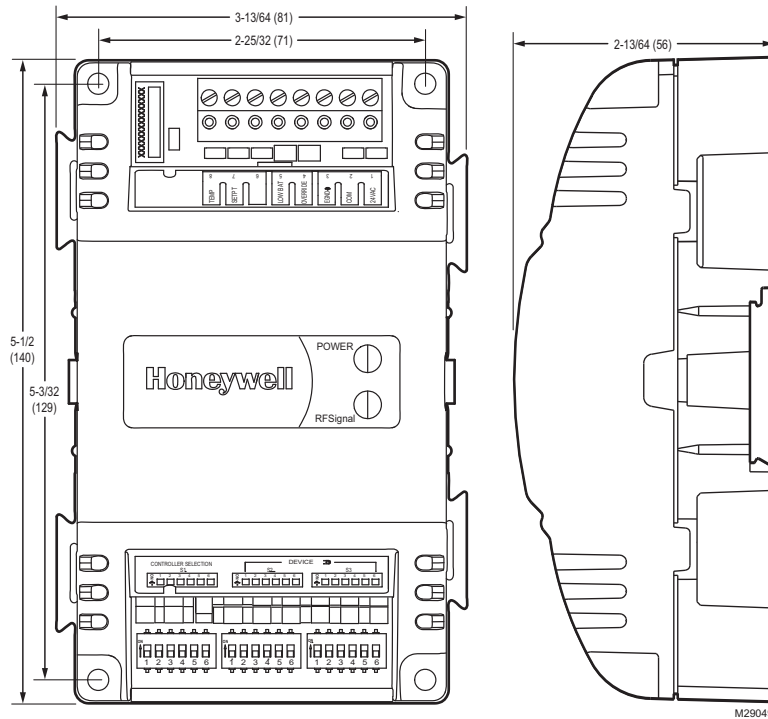


Fig. 1. Receiver dimensions in in. (mm).

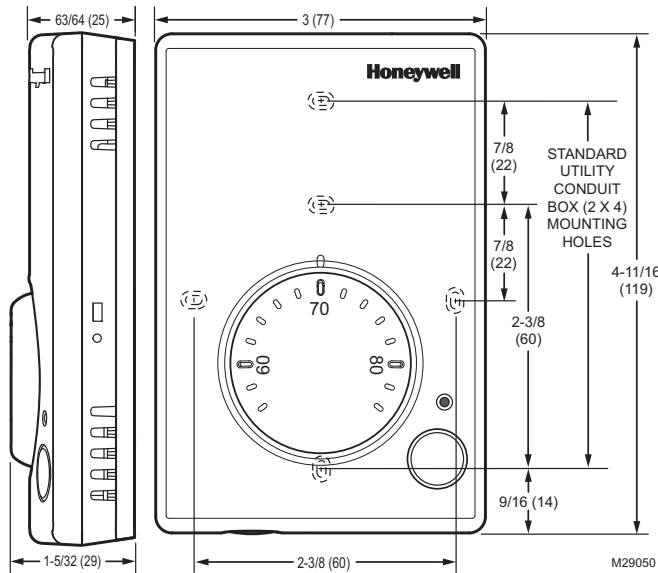


Fig. 2. Wall Module subbase dimensions in in. (mm) (TR23 shown).

By using this Honeywell literature, you agree that Honeywell will have no liability for any damages arising out of your use or modification to, the literature. You will defend and indemnify Honeywell, its affiliates and subsidiaries, from and against any liability, cost, or damages, including attorneys' fees, arising out of, or resulting from, any modification to the literature by you.

Automation and Control Solutions

Honeywell International Inc.
 1985 Douglas Drive North
 Golden Valley, MN 55422
 customer.honeywell.com

Honeywell Limited-Honeywell Limitée
 35 Dynamic Drive
 Toronto, Ontario M1V 4Z9

