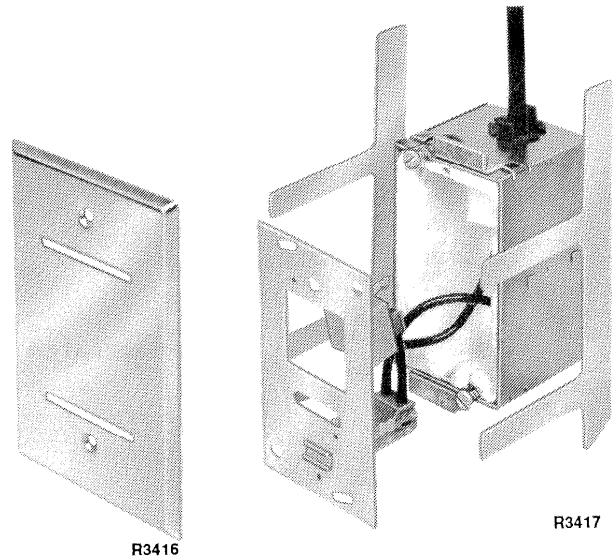


TP970 SERIES 14002424 ASPIRATING WALL BOX ASSEMBLIES



BEFORE INSTALLATION

- The HP970 and TP970 Series Aspirating Wall Box Assembly (Fig. 1) is available in two versions:
 - 14002424-002 Aspirating Wall Box Assembly with stud mounting bracket and screw
 - 14002424-003 Aspirating Wall Box Assembly with mounting clip for hollow wall mounting
- The Box can be mounted vertically or horizontally. Preferred mounting is with the tubing entering from the top or left so that the thermostat is in the normal position when mounted.
- The Box can be roughed in and the thermostat and cover added later.
- The aspirator must always be mounted on the opposite end of the Box from where the tubing enters. Position the thermostat with the setpoint knob at the aspirator end of the Box.
- The Box is furnished with two, encased, 8 ft (2.4m) long 5/32-in. (4 mm) O.D. polyethylene tubes for main and branch connections.
- The following are ordered separately and are required to complete the installation:
 - TP970 Series Pneumatic Thermostat
 - AK3970 Cover Plate

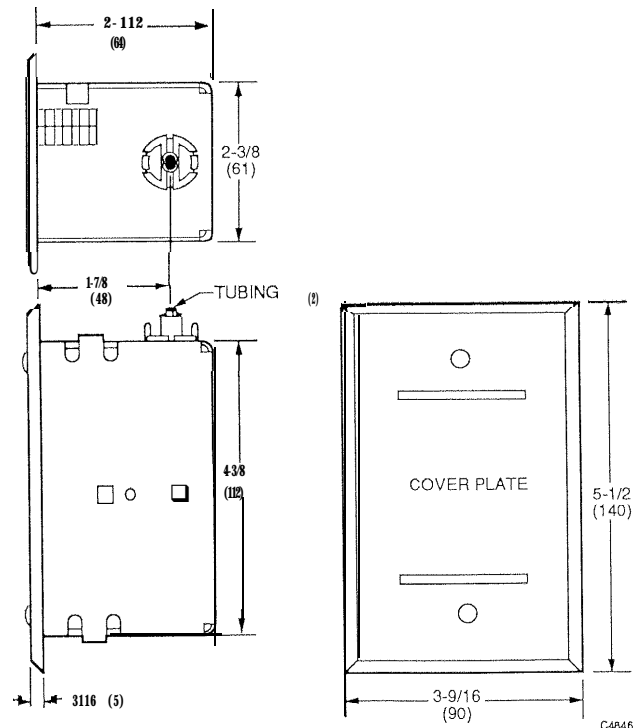


Fig. 1. Dimensions In Inches (Millimeters) of 14002424 Aspirating Wall Box with AK3970 Cover Plate,

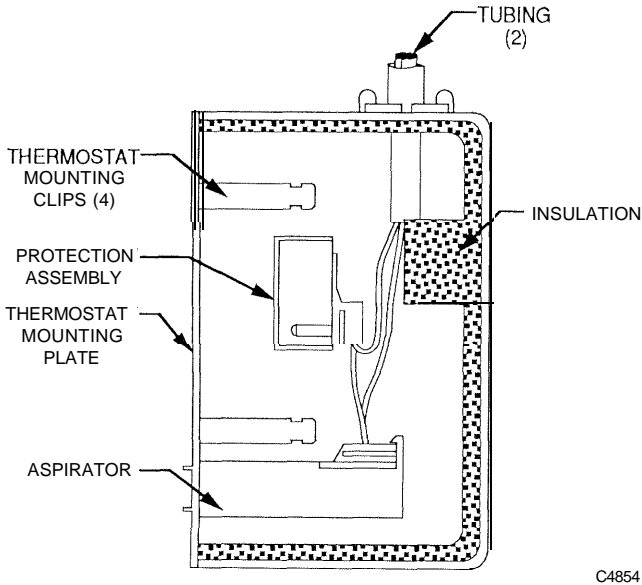
INSTALLATION

MOUNTING ASPIRATING WALL BOX

Figures 2 and 3 illustrate mounting details for the Aspirating Box.

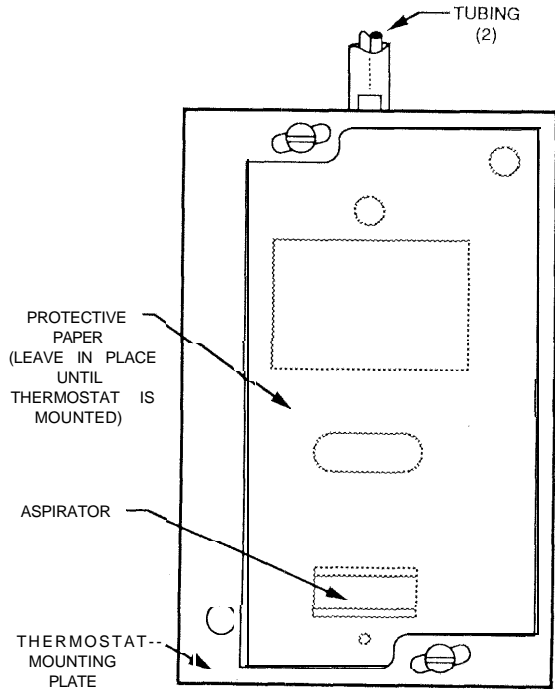
CAUTION

Leave the protective paper cover (Fig. 3) on the thermostat mounting plate until construction has been completed and the thermostats are ready to be installed (see MOUNTING THERMOSTAT). The paper cover seals the Box from dust during construction.



C4854

Fig. 2. Vertical Mounting (Preferred) with Tubing through the Top and Thermostat in the Upright Position.



NOTE: PROPER AIR HEAD AND ASPIRATOR MOUNTING ARE AS DETAILED IN FIG. 2. ASPIRATOR IS ALWAYS MOUNTED IN OPPOSITE END OF BOX FROM TUBING ENTRY.

C4847

Fig. 3. Mounting Plate Serves as a Rough-In Plate, Leave in Position until Mounting Thermostat.

14002424-002 ASPIRATING WALL BOX ASSEMBLY (STUD MOUNTING)

MOUNTING ON STUD

This assembly is mounted to a stud or directly to a wall.

1. Mount the mounting bracket on the Box as shown in Figure 4.
2. Mount the Box and bracket to the stud as shown in Figure 4 or 5.

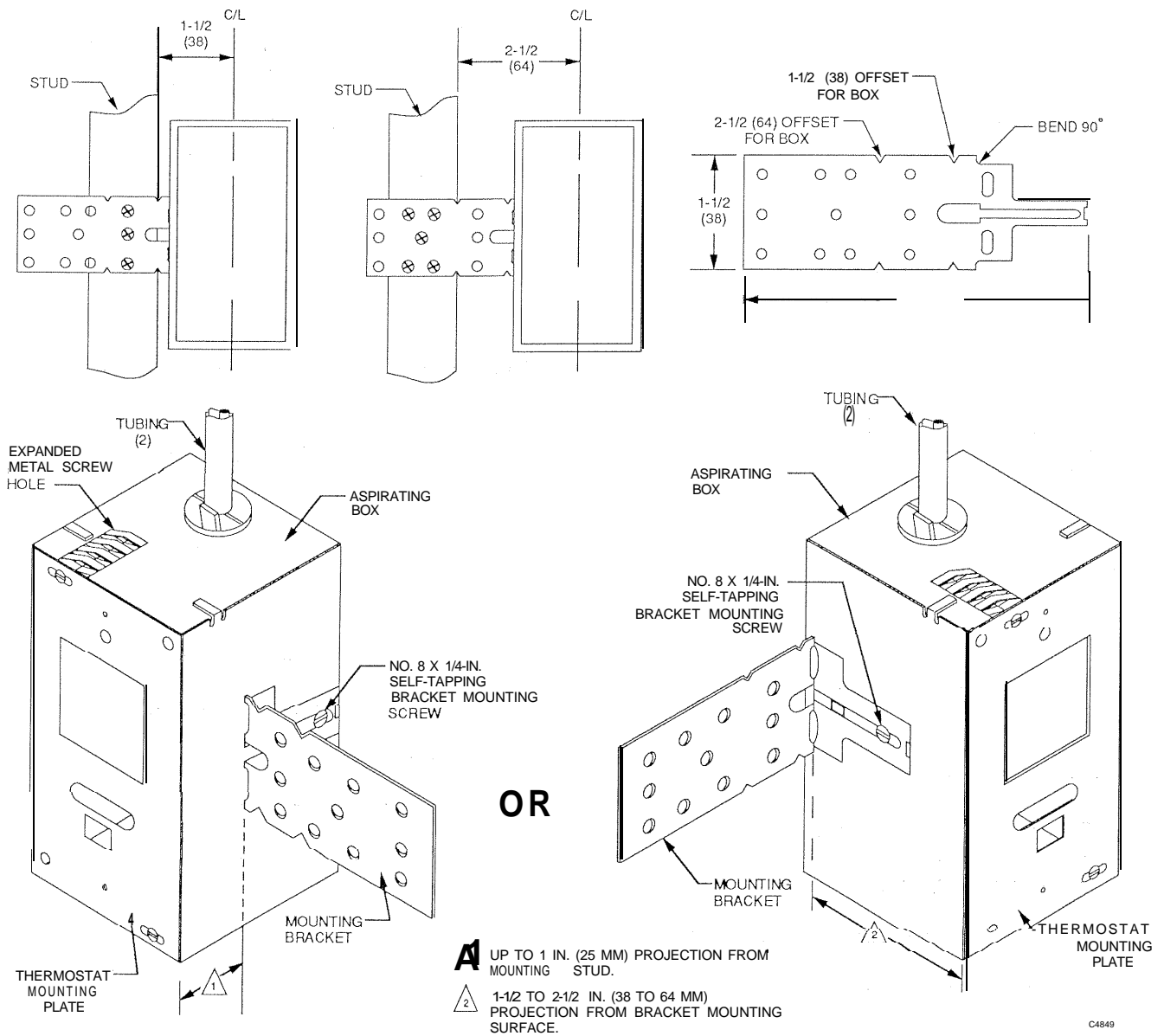


Fig. 4. Mounting 14002424-002 Wall Box. Dimensions in Inches (Millimeters).

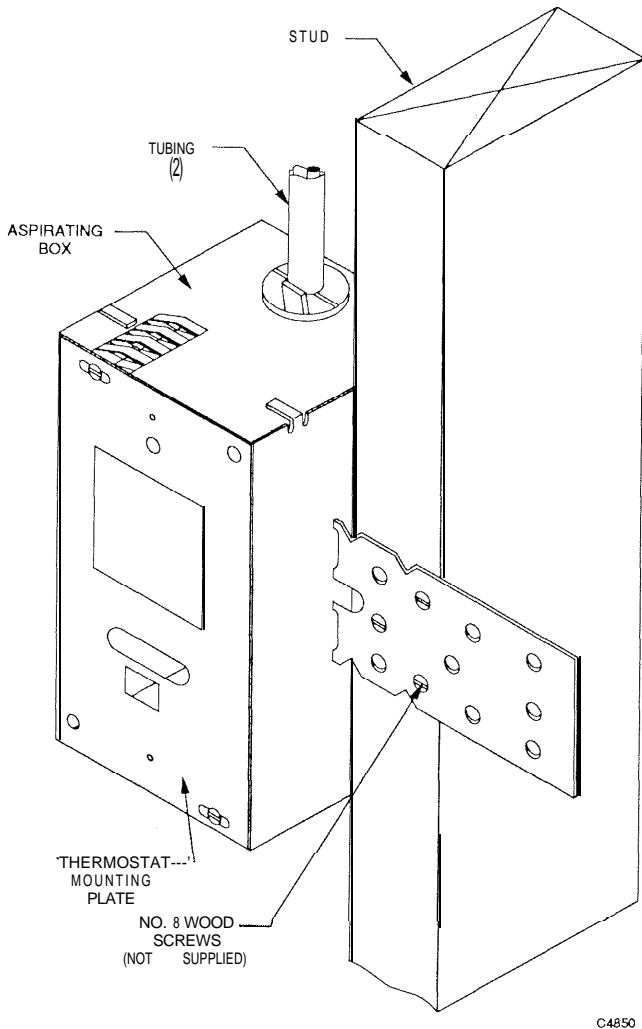


Fig. 5. Mounting 14002424-002 Wall Box to Wood Stud.

MOUNTING DIRECTLY TO WALL

When mounting onto a block or brick wall (Fig. 6), cover the expanded metal screw holes with masking tape to prevent the mortar from filling the holes.

1. Remove the tubing and insulation (Fig. 2) from the Aspirating Box.
- NOTE: Optionally, the Box can be mounted without disassembly by driving screws through insulation.
2. Mount the Box using two No. 8 wood screws (not supplied) through the back of the Box.
3. Reinstall the insulation and tubing in the Box.

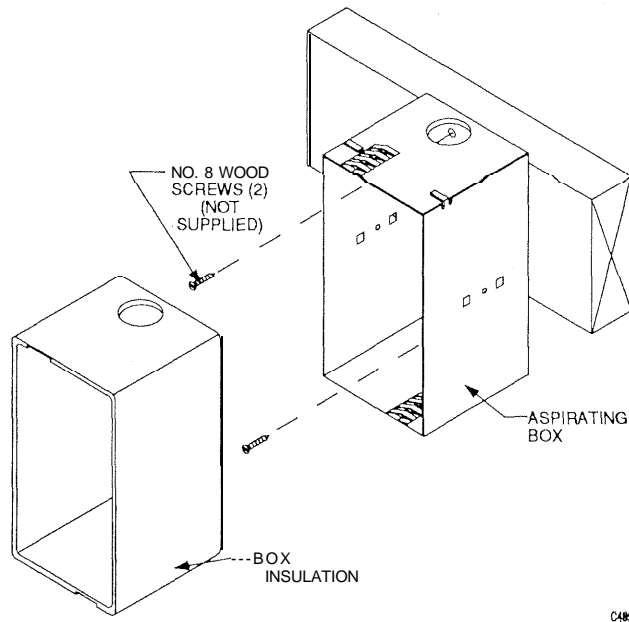


Fig. 6. Mounting Aspirating Wall Box Directly to Wall.

14002424-003 WALL BOX ASSEMBLY (HOLLOW WALL MOUNTING)

This assembly is mounted through a hole cut into a hollow wall (Fig. 7 and 8).

1. Cut a hole in the wall (Fig. 7).
2. Pull tubing through the hole and terminate to tubing from Box.
3. Remove thermostat mounting plate (Fig. 2) from front of Box.
4. Insert Box into hole in wall.

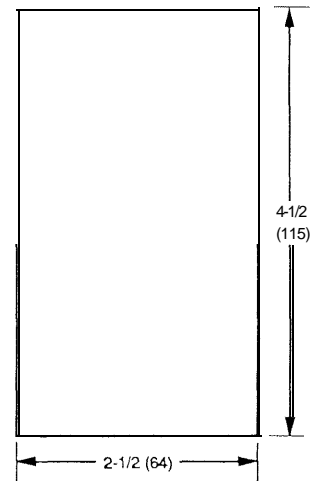


Fig. 7. Mounting Hole Dimensions in Inches (Millimeters).

5. Install two clips (Fig. 8), long tab up, on sides of Box.
6. Push Box flush with wall, pull forward on clips, and bend tabs firmly into Box. Squeeze tabs against insulation in box to provide clearance for thermostat.
7. If roughing-in only, replace mounting plate on front of Box; otherwise proceed to MOUNTING THERMOSTAT section.

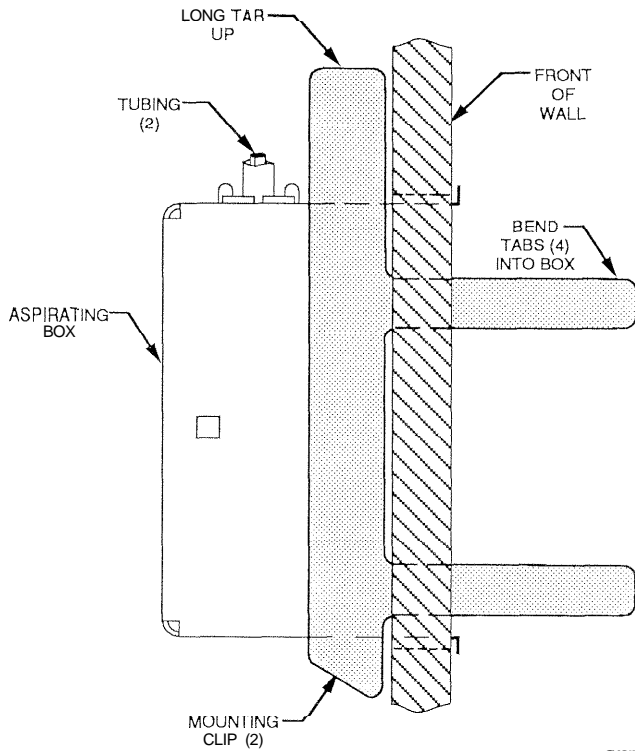


Fig. 8. Mounting 14002424-003 Wall Box with Clips
Furnished.

MOUNTING THERMOSTAT

Mount the thermostat only after wall construction is completed.

1. Peel off and discard the adhesive backed protective paper from the mounting plate. See Figure 9.

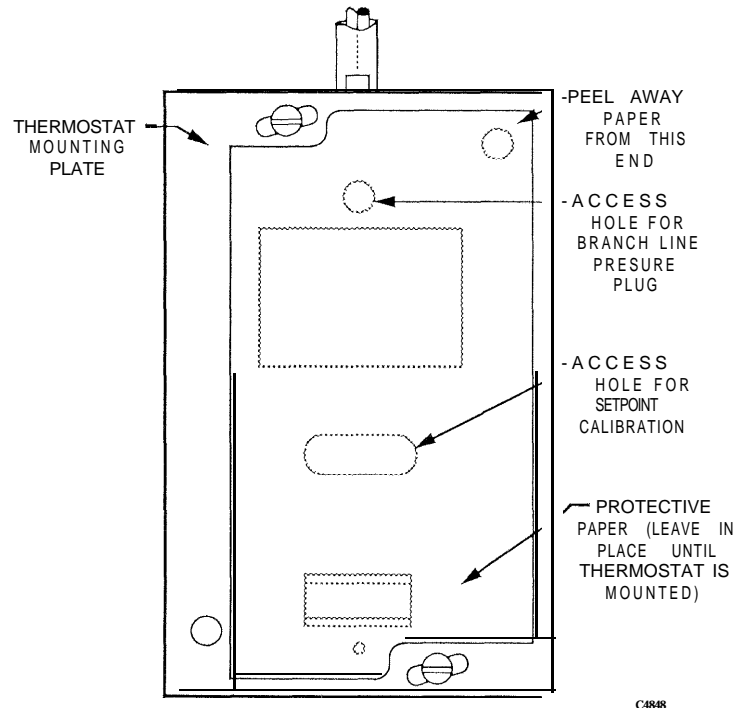


Fig. 9. Mounting Plate of Roughed-In Aspirating Wall
Box.

2. Remove the two screws that hold the mounting plate (Fig. 9) to the Box.
NOTE: During construction this plate serves as a rough-in plate.
3. Remove mounting plate.
NOTE: The plate contains the aspirator, air head, and mounting spring clips.
4. Remove the protective cap from the air head.
5. Plug the air head into the thermostat.
NOTE: Be sure that the main and the branch are properly oriented. The short connecting tube from the aspirator to the air head is main air feed to the thermostat. Be sure that MAIN air is connected to the aspirator. The tubing from the thermostat to the tubing entry has BRANCH printed on it.

6. Mount the thermostat on the spring clips (Fig. 10). All four clips must fit into the slots provided in the metal plate of the thermostat.

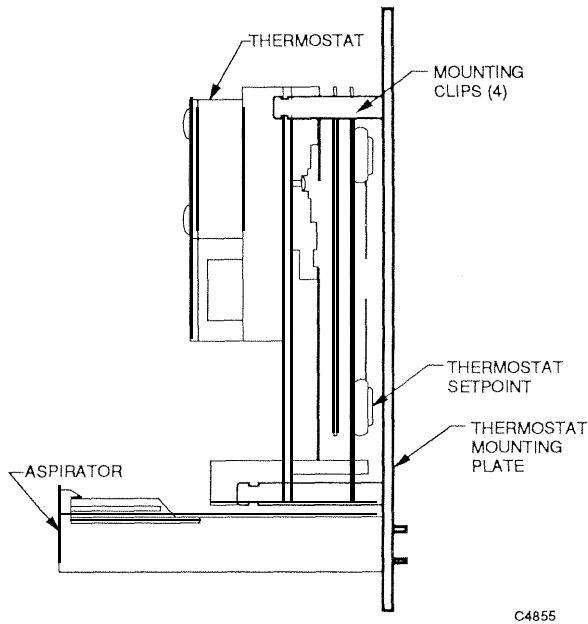


Fig. 10. Mounting Plate with Thermostat Mounted.

7. Mount thermostat in the Box by replacing the mounting plate and fastening with the two screws.
NOTE: Be sure the aspirator is mounted in the opposite end of the Box from the tubing entry. If recalibration is required, USC access holes as shown in Figure 9 for thermostat installations.
8. Mount the cover plate using a 5/64-m. Allen wrench. The cover plate is correctly mounted only when the cutout in the insulation is aligned with the air cutout in the mounting plate. Observe markings on the inside of the cover plate for proper orientation of cover,

By using this Honeywell literature, you agree that Honeywell will have no liability for any damages arising out of your use or modification to, the literature. You will defend and indemnify Honeywell, its affiliates and subsidiaries, from and against any liability, cost, or damages, including attorneys' fees, arising out of, or resulting from, any modification to the literature by you.