

HVFDCDNEMA1FRx

ENCLOSURE UPGRADE KITS FOR
SMARTVFD COMPACT AND HVAC2 VFDS

INSTALLATION INSTRUCTIONS

DESCRIPTION


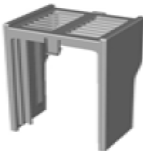


The HVFDCDNEMA1FRx kit provides Nema 1 (Nema 250 enclosure) and IP21 protection for the SmartVFD HVAC2 and Compact lines of VFDs. All kits include a cable terminal cover and cable gland plate for standard conduit connection. Kits for frame sizes MI1-3 include a top cover for protection from vertically dripping water.

MODELS

Table 1. Enclosure upgrade kit models

Os no.	Description	Enclosure class compliance	
		IP21	NEMA1
HVFDCDNEMA1FR1	Top and wiring terminal covers for size MI1	X	X
HVFDCDNEMA1FR2	Top and wiring terminal covers for size MI2	X	X
HVFDCDNEMA1FR3	Top and wiring terminal covers for size MI3	X	X
HVFDCDNEMA1FR4	Wiring terminal covers for size MI4	X	X
HVFDCDNEMA1FR5	Wiring terminal covers for size MI5	X	X

DELIVERY CONTENTS

HVFDCDNEMA1FRx		
Picture	Quantity	Description
	1 MI1-MI3 only	IP21 top cover
	1	Cable terminal cover
	1	Cable gland plate
	6 MI1-MI3, 4 MI4-MI5	Cable gland plate screws

DIMENSIONS

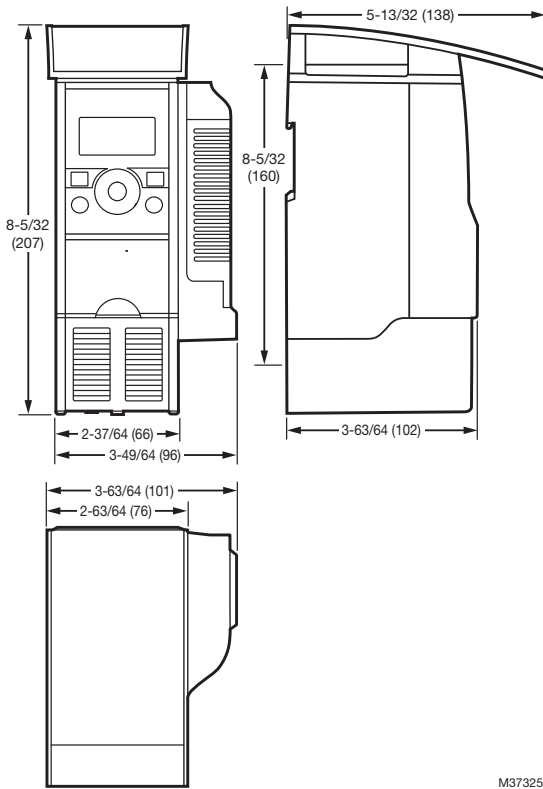


Fig. 1. SmartVFD HVAC2 NEMA Frame 1 with HVFD2DOPTFR1/2/3 option board mounting kit.

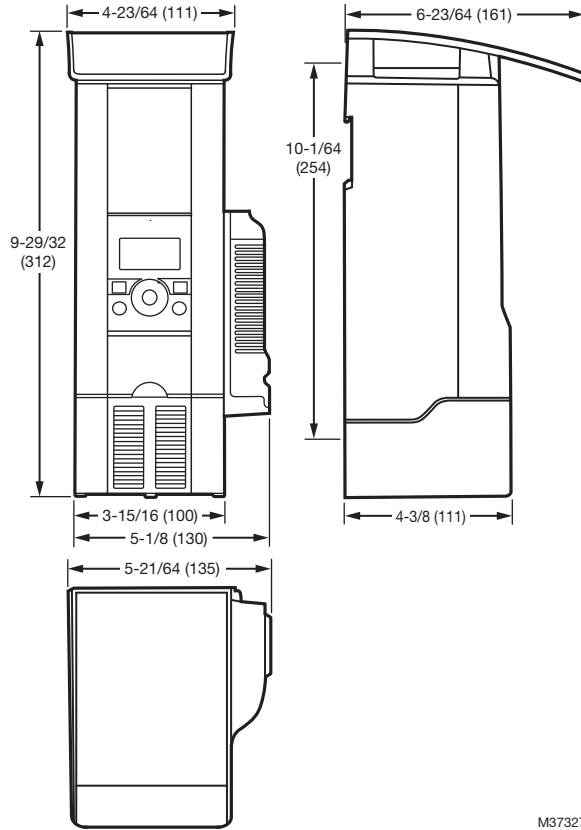


Fig. 3. SmartVFD HVAC2 NEMA Frame 3 with HVFD2DOPTFR123 option board mounting kit.

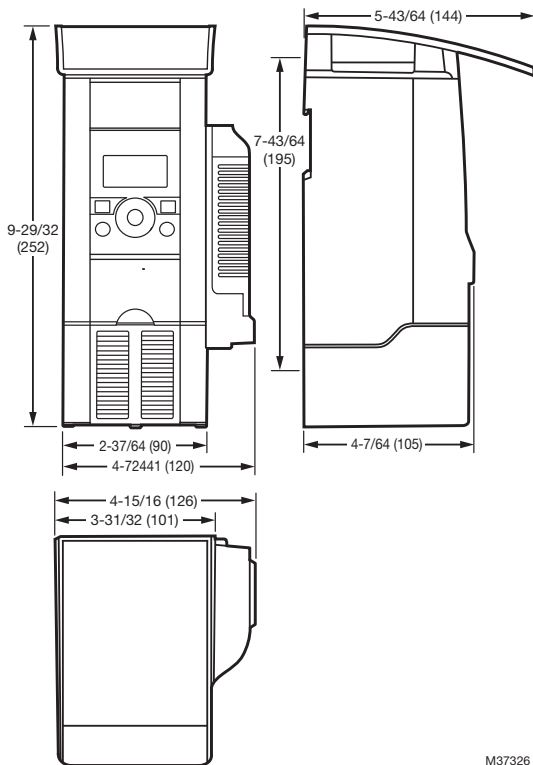


Fig. 2. SmartVFD HVAC2 NEMA Frame 2 with HVFD2DOPTFR123 option board mounting kit.

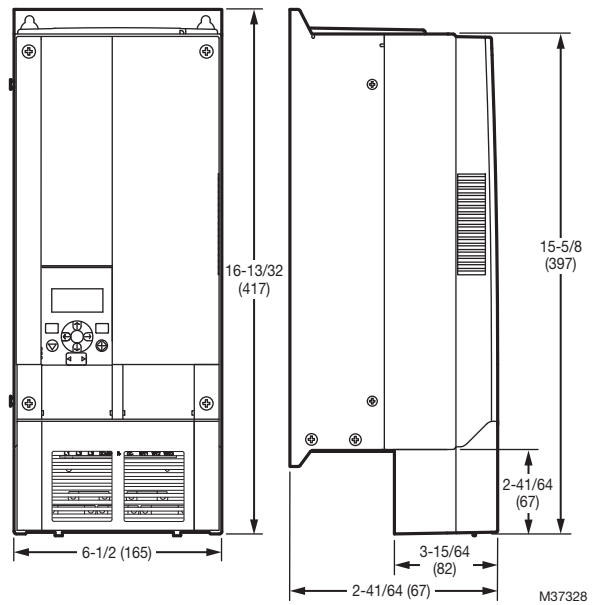


Fig. 4. SmartVFD HVAC2 NEMA Frame 4 with HVFD2DOPTFR45 option board mounting kit. Option board is mounted inside the drive.

INSTALLATION

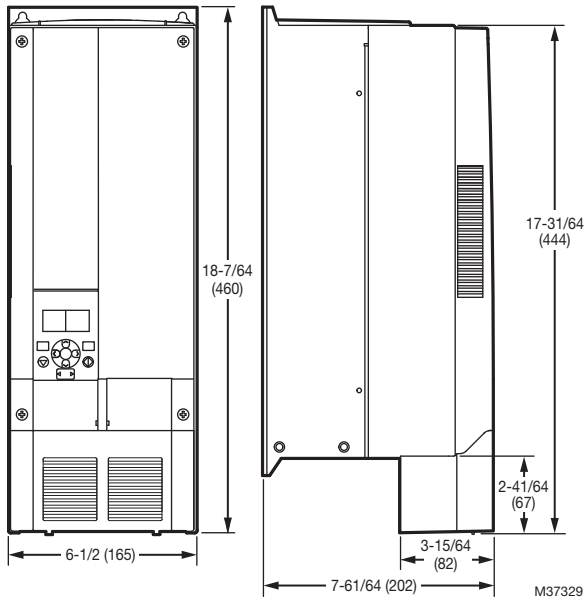


Fig. 5. SmartVFD HVAC2 NEMA Frame 5 with HVFD2DOPTFR45 option board mounting kit. Option board is mounted inside the drive.

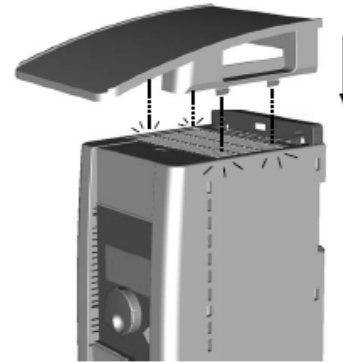


Fig. 6. IP21 cover installation (HVFDCDNEMA1FRx)

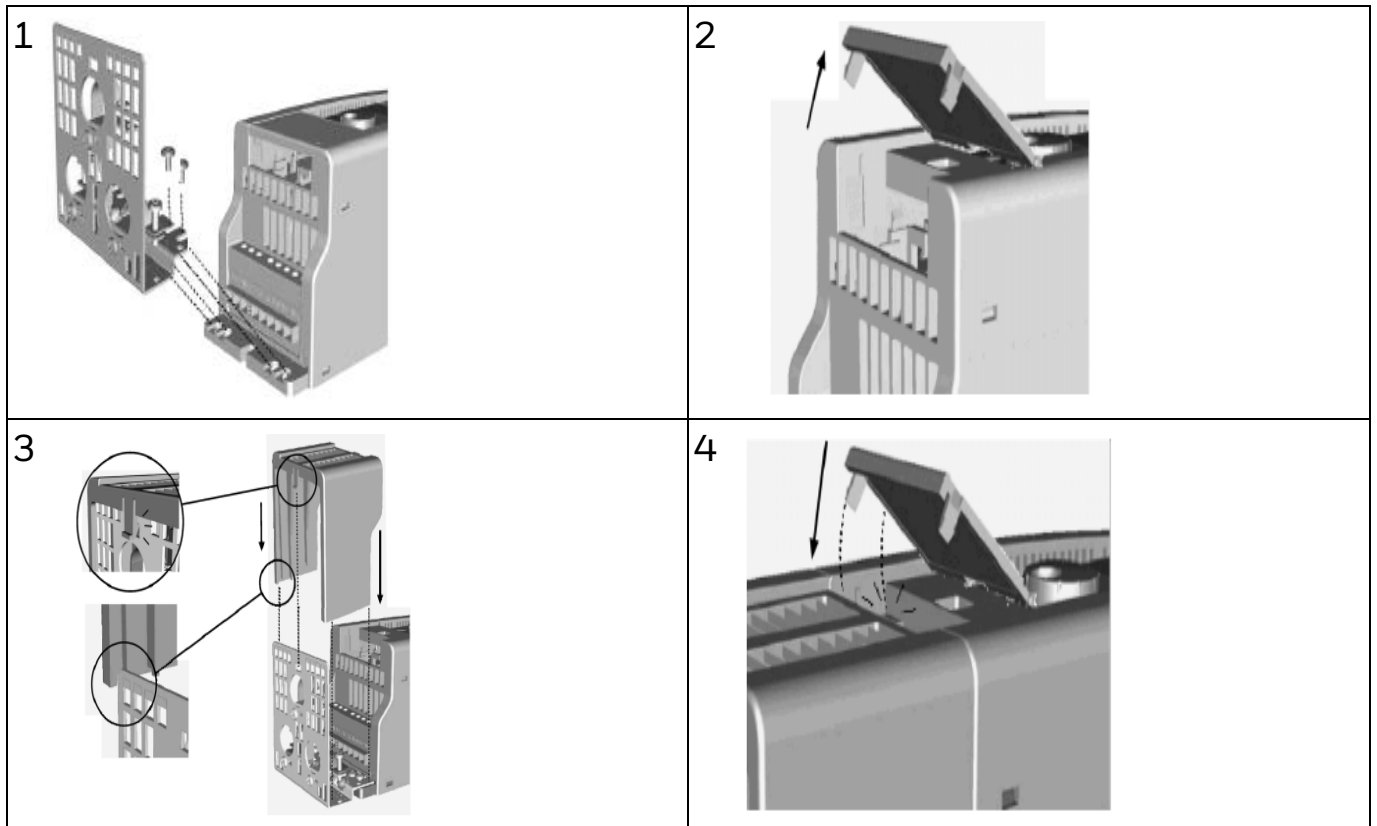


Fig. 7. Cable terminal cover installation (HVFDCDNEMA1FR1-3)

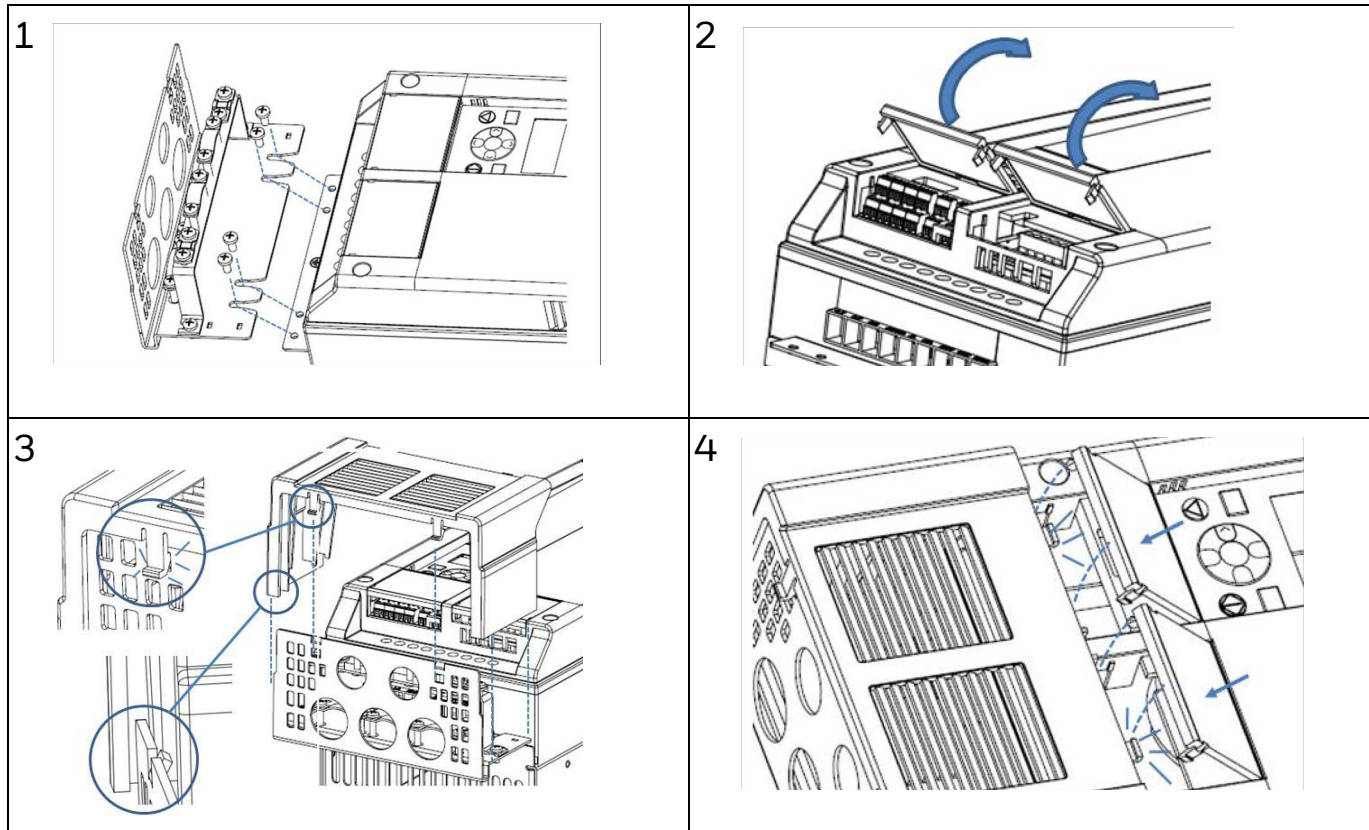


Fig. 8. Cable terminal cover installation (HVFDCDNEMA1FR4-5)

By using this Honeywell literature, you agree that Honeywell will have no liability for any damages arising out of your use or modification to, the literature. You will defend and indemnify Honeywell, its affiliates and subsidiaries, from and against any liability, cost, or damages, including attorneys' fees, arising out of, or resulting from, any modification to the literature by you.

Home and Building Technologies

In the U.S.:

Honeywell

1985 Douglas Drive North

Golden Valley, MN 55422-3992

customer.honeywell.com

