

Honeywell

SmartVFD HVAC2

PRODUCT DATA



GENERAL

SmartVFD HVAC2 variable frequency drives provide step less speed control for various applications:

- Pumps
- Fans
- Compressors

FEATURES

- **Compact size - saves space in your equipment cabinet**
- **Models available up to 25HP**
- **Permanent Magnet motor support**
- **Energy optimization feature**
- **Programmable FB (Fieldbus) process data**
- **Settable Limit supervisions**
- **Temperature measurement with temperature sensor option board HVFDOPTTMP**
- **Flexible side-by-side mounting with screws or DIN-rail as standard for MI1-MI3 frame sizes**
- **Single rating suitable for both pump and fan or machine applications**
- **Maximum ambient temperature: + 122 °F for most drives**

- **Fire Mode feature**
- **Integrated RFI-filters**
- **Models available with or without Class C2 EMC filter**
- **Wide input and output connection possibilities**
- **Configurable inputs and outputs**
- **30 second Start-Up Wizard**
- **Easy “keypad to remote” change with 1 button**
- **Parameter upload/download even without main power to the drive with HVFDCABLE accessory**
- **Quiet motor operation with 4 kHz switching frequency**
- **Overtemperature ride-through**
- **Motor pre-heat**
- **Power ride-through**
- **Automatic restart**
- **Integrated PID controller**
- **Optional NEMA 1 enclosure**
- **Built in RS485 Modbus communication**

SPECIFICATIONS

Mains Connection

Input voltage U_{in} :

115 V, -15%...+10% 1~
208...240 V, -15%...+10% 1~
208...240 V, -15%...+10% 3~
380 - 480 V, -15%...+10% 3~
600 V, -15%...+10% 3~

Input frequency: 45...66 Hz

Connection to mains: Once per minute or less (normal case)

Supply Network

Networks:

SmartVFD HVAC2 (400 V) cannot be used with corner grounded networks

Short circuit current:

Maximum short circuit current has to be < 50 kA



31-00109EF-01

Motor Connection

Output voltage: 0 - U_{in}

Output current:

Continuous rated current I_N at ambient temperature max. +50 °C (depends on the unit size), overload:

1.5 x I_N max

1 min / 10 min

Starting current/torque: Current 2 x I_N for 2 sec in every 20 sec period. Torque depends on motor.

Output frequency: 0...320 Hz

Frequency resolution: 0.01 Hz

Control connections

Digital input:

Positive, Logic1: 18...+30V, Logic0: 0...5V; Negative, Logic1: 0...10V, Logic0: 18...30V; $R_i = 10K\Omega$ (floating)

Analogue input voltage: 0...+10V, $R_i = 250K\Omega$

Analogue input current 0(4)...20mA, $R_i \leq 250\Omega$

Analogue output:

0...10V, $R_L \geq 1K\Omega$; 0(4)...20mA, $R_L \leq 500\Omega$, Selectable through microswitch

Digital output:

Open collector, max. load 35V/50mA (floating)

Relay output: Switching load: 250Vac/3A, 24V DC 3A

Auxiliary voltage: $\pm 20\%$, max. load 50mA

Control Characteristics

Control method:

Frequency Control U / f

Open Loop Sensorless Vector Control

Switching frequency: 1...16 kHz; Factory default 4 kHz

Frequency reference: Resolution 0.01 Hz

Field weakening point: 30...320 Hz

Acceleration time: 0.1...3000 sec

Deceleration time: 0.1...3000 sec

Braking torque:

100%* T_N with brake option (only in 3~ drives sizes MI2-5)
30%* T_N without brake option

Ambient Conditions

Operating temperature:

14 °F (-10 °C) (no frost)...+104/122 °F (+40/50 °C)

(depends on the unit size): rated loadability IN

Side by side installation for MI1-3 it is always 104 °F (40 °C); For IP21/Nema1 option in MI1-3 the maximum temperature is also 104 °F (40 °C)

Storage temperature: -40 °F (-40 °C)...+158 °F (70 °C)

Air quality:

Chemical vapors:

IEC 721-3-3, unit in operation, class 3C2

Mechanical particles:

IEC 721-3-3, unit in operation, class 3S2

Altitude:

100% load capacity (no derating) up to 3281 ft. (1000 m).
1% derating for each 328 ft. (100 m) above 3281 ft. (1000 m); max. 6562 ft. (2000 m)

Relative humidity:

0...95% RH, non-condensing, non-corrosive, no dripping water

Vibration: 3...150 Hz

EN60068-2-6:

Displacement amplitude 1 (peak) mm at 3...15.8 Hz Max
acceleration amplitude 1 G at 15.8...150 Hz

Shock

IEC 68-2-27:

UPS Drop Test (for applicable UPS weights)

Storage and shipping: max 15 g, 11 ms (in package)

Enclosure class: IP20 for MI1-3, IP21 for MI4-5.

With HVFDCDNEMA1xxx kit, IP21/NEMA1 for MI1-5.

Pollution degree: PD2

Electro Magnetic Compatibility (EMC)

Immunity:

Complies with EN50082-1, -2, EN61800-3

Emissions:

230V: Complies with EMC category C2; With an internal RFI filter

400V: Complies with EMC category C2; With an internal RFI filter

Safety:

For safety: UL508C, EN61800-5, CE, UL, cUL, KC

For EMC: EN61800-3, CE, KC

Protections

Overvoltage protection:

875VDC in HVFD2DXCXXXXXXX

437VDC in HVFD2DXBXXXXXXX

Undervoltage protection:

333VDC in HVFD2DXCXXXXXXX

160VDC in HVFD2DXBXXXXXXX

Earth-fault protection:

In case of earth fault in motor or motor cable, only the frequency converter is protected

Unit overtemperature protection: YES

Motor overload protection: YES

Motor stall protection (fan/pump blocked): YES

Motor underload protection

(pump dry / belt broken detection): YES

Short-circuit protection of +24V and +10V

reference voltages: YES

Overcurrent protection: Trip limit 4,0* I_N instantaneously

MODELS

Mains voltage 208-240 V

Table 1. Mains voltage 208-240 V, 50/60 Hz, 1~ series.

Part number	Rated loadability		Motor shaft power		Nominal input current	Mechanical size	Weight (lbs)
	100% contin. current I _N [A]	150% overload current [A]	P [HP]	P [KW]	[A]		
HVFD2D1B0003E2	1.7	2.6	0.33	0.25	4.2	MI1	1.21
HVFD2D1B0005E2	2.4	3.6	0.5	0.37	5.7	MI1	1.21
HVFD2D1B0007E2	2.8	4.2	0.75	0.55	6.6	MI1	1.21
HVFD2D1B0010E2	3.7	5.6	1	0.75	8.3	MI2	1.54
HVFD2D1B0015E2	4.8	7.2	1.5	1.1	11.2	MI2	1.54
HVFD2D1B0020E2	7	10.5	2	1.5	14.1	MI2	1.54
HVFD2D1B0030E2*	9.6	14.4	3	2.2	22.1	MI3	2.18

* The maximum ambient operating temperature of this drive is 104 °F (40 °C)

Table 2. Mains voltage 208 - 240 V, 50/60 Hz, 3~ series.

Part number	Rated loadability		Motor shaft power		Nominal input current	Mechanical size	Weight (lbs)
	100% contin. current I _N [A]	150% overload current [A]	P [HP]	P [KW]	[A]		
HVFD2D3B0003	1.7	2.6	0.33	0.25	2.7	MI1	1.21
HVFD2D3B0005	2.4	3.6	0.5	0.37	3.5	MI1	1.21
HVFD2D3B0007	2.8	4.2	0.75	0.55	3.8	MI1	1.21
HVFD2D3B0010	3.7	5.6	1	0.75	4.3	MI2	1.54
HVFD2D3B0015	4.8	7.2	1.5	1.1	6.8	MI2	1.54
HVFD2D3B0020*	7	10.5	2	1.5	8.4	MI2	1.54
HVFD2D3B0030*	11	16.5	3	2.2	13.4	MI3	2.18
HVFD2D3B0040	12.5	18.8	4	3	14.2	MI4	19.13
HVFD2D3B0050	17.5	26.3	5	4	20.6	MI4	19.13
HVFD2D3B0075	25	37.5	7.5	5.5	30.3	MI4	19.13
HVFD2D3B0100	31	46.5	10	7.5	36.6	MI5	24.4
HVFD2D3B0150	38	57	15	11	44.6	MI5	24.4

* The maximum ambient operating temperature of these drives is 104 °F (40 °C).

Mains voltage 115 V

Table 3. Mains voltage 115 V, 50/60 Hz, 1~ series.

Part number	Rated loadability		Motor shaft power		Nominal input current	Mechanical size	Weight (lbs)
	100% contin. current I _n [A]	150% overload current [A]	P [HP]	P [KW]	[A]		
HVFD2D1A0003	1.7	2.6	0.33	0.25	9.2	MI2	1.54
HVFD2D1A0005	2.4	3.6	0.5	0.37	11.6	MI2	1.54
HVFD2D1A0007	2.8	4.2	0.75	0.55	12.4	MI2	1.54
HVFD2D1A0010	3.7	5.6	1	0.75	15	MI2	1.54
HVFD2D1A0015	4.8	7.2	1.5	1.1	16.5	MI3	2.18

Mains voltage 380-480 V

Table 4. Mains voltage 380-480 V, 50/60 Hz, 3~ series.

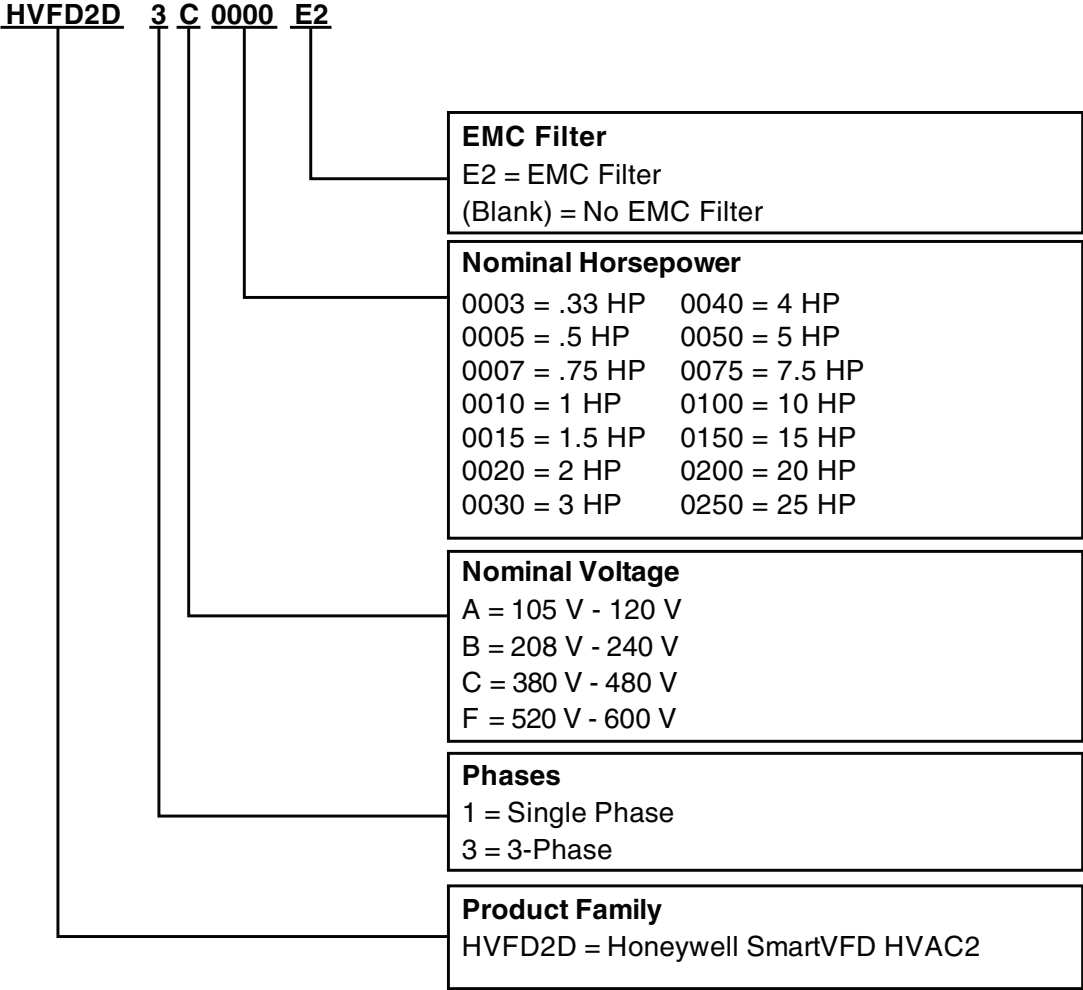
Part number	Rated loadability		Motor shaft power		Nominal input current	Mechanical size	Weight (lbs)
	100% contin. current I _n [A]	150% overload current [A]	P [HP]	P [KW]	[A]		
HVFD2D3C0005xx	1.3	2	0.5	0.37	2.2	MI1	1.21
HVFD2D3C0007xx	1.9	2.9	0.75	0.55	2.8	MI1	1.21
HVFD2D3C0010xx	2.4	3.6	1	0.75	3.2	MI1	1.21
HVFD2D3C0015xx	3.3	5	1.5	1.1	4	MI2	1.54
HVFD2D3C0020xx	4.3	6.5	2	1.5	5.6	MI2	1.54
HVFD2D3C0030xx	5.6	8.4	3	2.2	7.3	MI2	1.54
HVFD2D3C0040xx	7.6	11.4	4	3	9.6	MI3	2.18
HVFD2D3C0050xx	9	13.5	5	4	11.5	MI3	2.18
HVFD2D3C0075xx	12	18	7.5	5.5	14.9	MI3	2.18
HVFD2D3C0100xx	16	24	10	7.5	17.1	MI4	19.13
HVFD2D3C0150xx	23	34.5	15	11	25.5	MI4	19.13
HVFD2D3C0200xx	31	46.5	20	15	33	MI5	24.4
HVFD2D3C0250xx	38	57	25	18.5	41.7	MI5	24.4

Mains voltage 600 V

Table 5. Mains voltage 600 V, 50/60 Hz, 3~ series.

Part number	Rated loadability		Motor shaft power		Nominal input current	Mechanical size	Weight (lbs)
	100% contin. current I _n [A]	150% overload current [A]	P [HP]	P [KW]	[A]		
HVFD2D3F0010	1.7	2.6	1	0.75	2	MI3	2.18
HVFD2D3F0020	2.7	4.2	2	1.5	3.6	MI3	2.18
HVFD2D3F0030	3.9	5.9	3	2.2	5	MI3	2.18
HVFD2D3F0050	6.1	9.2	5	4	7.6	MI3	2.18
HVFD2D3F0075	9	13.5	7.5	5.5	10.4	MI3	2.18

PRODUCT IDENTIFICATION CODE



MCR36499A

Fig. 1. SmartVFD HVAC2 type designation code.

MECHANICAL MOUNTING

There are two possible ways to mount SmartVFD HVAC2 in the wall. For MI1-MI3, either screw or DIN-rail mounting; For MI4-MI5, screw or flange mounting.

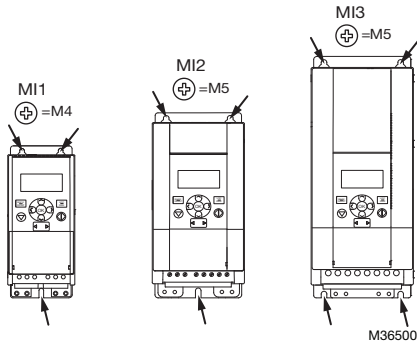


Fig. 2. Screw mounting, MI1 - MI3

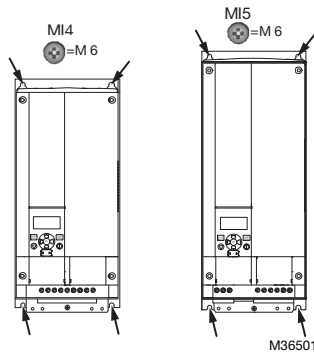


Fig. 3. Screw mounting, MI4 - MI5

NOTE: See the mounting dimensions on the back of the drive.

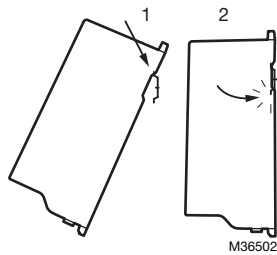


Fig. 4. DIN-rail mounting, MI1 - MI3

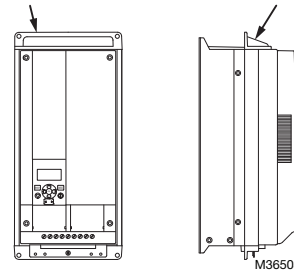


Fig. 5. Flange mounting, MI4 - MI5

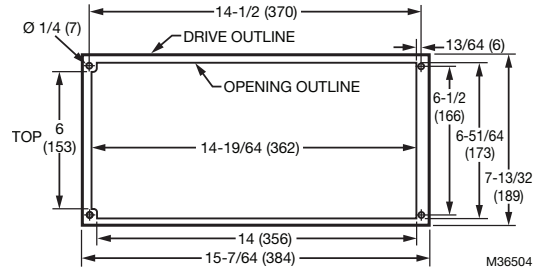


Fig. 6. Flange mounting cutout dimensions for MI4 [Unit: inches (mm)]

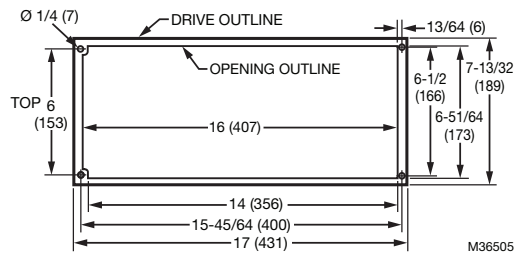


Fig. 7. Flange mounting cutout dimensions for MI5 [Unit: inches (mm)]

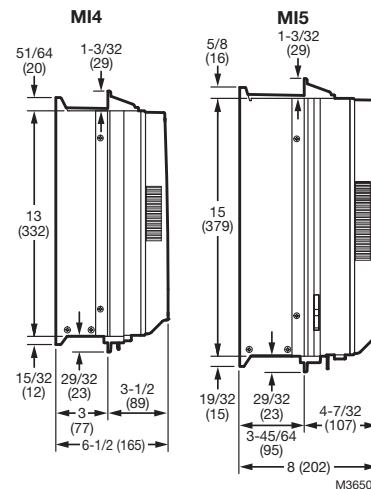


Fig. 8. Flange mounting depth dimensions for MI4 and MI5 [Unit: inches (mm)]

DIMENSIONS

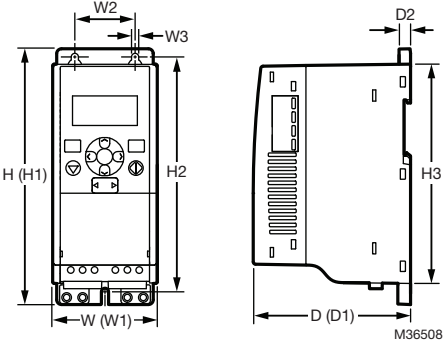
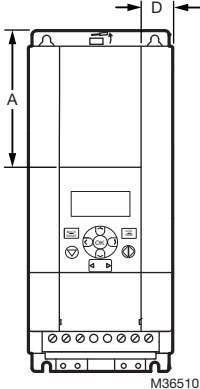


Fig. 9. SmartVFD HVAC2 dimensions, MI1 - MI3.



Dimensions in inches (mm)	Frame	
	MI2	MI3
A	.7 (17)	.9 (22.3)
B	1.7 (44)	4 (102)

Fig. 11. SmartVFD HVAC2 dimensions, MI2 - 3 Display Location.

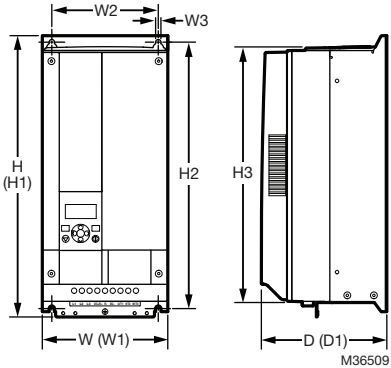


Fig. 10. SmartVFD HVAC2 dimensions, MI4 - MI5.

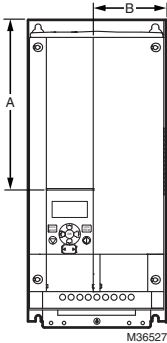
Table 6. SmartVFD HVAC2 dimensions in inches (mm).

Type	H1	H2	H3	W1	W2	W3	D1	D2
MI1	6.3 (160.1)	5.8 (147)	5.4 (137.3)	2.6 (65.5)	1.5 (37.8)	.18 (4.5)	3.9 (98.5)	.28 (7)
MI2	7.7 (195)	7.2 (183)	6.7 (170)	3.5 (90)	2.5 (62.5)	.2 (5.5)	4 (101.5)	.28 (7)
MI3	10 (254.3)	9.6 (244)	90 (229.3)	3.9 (100)	2.95 (75)	.2 (5.5)	4.3 (108.5)	.28 (7)
MI4	14.6 (370)	13.8 (350.5)	13.2 (336.5)	6.5 (165)	5.5 (140)	.28 (7)	6.5 (165)	-
MI5	16.3 (414)	15.7 (398)	15 (383)	6.5 (165)	5.5 (140)	.28 (7)	7.9 (202)	-

Table 7. SmartVFD HVAC2 frame dimensions (mm) and weights in lbs (kg).

Frame	Dimensions in inches (mm)			Weight in lbs (kg.)*
	W	H	D	
MI1	2.6 (66)	6.3 (160)	3.9 (98)	1.2 (0.5)
MI2	3.5 (90)	7.7 (195)	4 (102)	1.5 (0.7)
MI3	3.9 (100)	10 (254.3)	4.3 (109)	2.2 (1)
MI4	6.5 (165)	14.3 (370)	6.5 (165)	18 (8)
MI5	6.5 (165)	16.3 (414)	8 (202)	22 (10)

*without shipping package



Dimensions in inches (mm)	Frame	
	MI4	MI5
A	8 (205)	9.8 (248.5)
B	3.4 (87)	3.4 (87)

Fig. 12. SmartVFD HVAC2 dimensions, MI4 - 5 Display Location.

COOLING

Enough free space shall be left above and below the frequency converter to ensure sufficient air circulation and cooling. You will find the required dimensions for free space in the table below.

If several units are mounted above each other the required free space equals C + D. Moreover, the outlet air used for cooling by the lower unit must be directed away from the air intake of the upper unit.

The amount of cooling air required is indicated below. Also make sure that the temperature of the cooling air does not exceed the maximum ambient temperature of the converter.

Table 8. Min. clearances around AC drive

Min clearance in inches (mm)				
Type	A	B	C	D
MI1	.8 (20)	.8 (20)	3.9 (100)	2 (50)
MI2	.8 (20)	.8 (20)	3.9 (100)	2 (50)
MI3	.8 (20)	.8 (20)	3.9 (100)	2 (50)
MI4	.8 (20)	.8 (20)	3.9 (100)	3.9 (100)
MI5	.8 (20)	.8 (20)	4.7 (120)	3.9 (100)

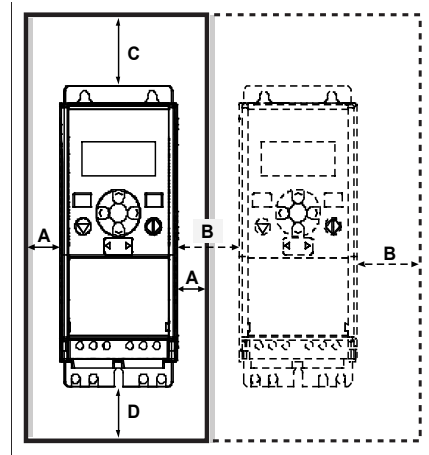


Fig. 13. Installation space.

CABLING AND FUSES

Use cables with heat resistance of at least 158 °F (70 °C). The cables and the fuses must be dimensioned according to the tables below.

The fuses function also as cable overload protection.

These instructions apply only to cases with one motor and one cable connection from the frequency converter to the motor. In any other case, ask the factory for more information.

Table 9. Cable types required to meet standards.

EMC category	cat. C2	cat. C4
Mains cable types	1	1
Motor cable types	3	1
Control cable types	4	4

Table 10. Cable type descriptions.

Cable type	Description
1	Power cable intended for fixed installation and the specific mains voltage. Shielded cable not required. (NKCABLES / MCMK or similar recommended)
2	Power cable equipped with concentric protection wire and intended for the specific mains voltage. (NKCABLES / MCMK or similar recommended).
3	Power cable equipped with compact low-impedance shield and intended for the specific mains voltage. (NKCABLES / MCCMK, SAB / ÖZCUY-J or similar recommended). *360° earthing of both motor and FC connection required to meet the standard
4	Screened cable equipped with compact low-impedance shield (NKCABLES /Jamak, SAB / ÖZCuY-O or similar).

Table 11. Cable and fuse sizes for SmartVFD HVAC2, 115 V, 1~.

Frame	Horsepower	Fuse [A]	Mains cable Cu [AWG]	Motor cable Cu [AWG]	Terminal cable size (min/max)			
					Main terminal [AWG]	Earth terminal [AWG]	Control terminal [AWG]	Relay terminal [AWG]
MI2	.33-1HP	20	2*14+14	3*16+16	16-12	16-12	20-16	20-16
MI3	1.5HP	32	2*10+10	3*16+16	16-12	16-12	20-16	20-16

Table 12. Cable and fuse sizes for SmartVFD HVAC2, 208 - 240 V, 1~.

Frame	Horsepower	Fuse [A]	Mains cable Cu [AWG]	Motor cable Cu [AWG]	Terminal cable size (min/max)			
					Main terminal [AWG]	Earth terminal [AWG]	Control terminal [AWG]	Relay terminal [AWG]
MI1	.33-.75HP	10	2*16+16	3*16+16	16-12	16-12	20-16	20-16
MI2	1-2HP	20	2*14+14	3*16+16	16-12	16-12	20-16	20-16
MI3	3HP	32	2*10+10	3*16+16	16-10	16-10	20-16	20-16

Table 13. Cable and fuse sizes for SmartVFD HVAC2, 208 - 240 V, 3~.

Frame	Horsepower	Fuse [A]	Mains cable Cu [AWG]	Motor cable Cu [AWG]	Terminal cable size (min/max)			
					Main terminal [AWG]	Earth terminal [AWG]	Control terminal [AWG]	Relay terminal [AWG]
MI1	.33-.75HP	6	3*16+16	3*16+16	16-12	16-12	20-16	20-16
MI2	1-2HP	10	3*16+16	3*16+16	16-12	16-12	20-16	20-16
MI3	3HP	20	3*14+14	3*14+14	16-10	16-10	20-16	20-16
MI4	4-7.5HP	20 25 40	3*10+10	3*10+10	17-6 Cu	17-6	20-16	20-16
MI5	10-15HP	40	3*6+6	3*6+6	14-1 Cu / Al	14-2	20-16	20-16

Table 14. Cable and fuse sizes for SmartVFD HVAC2, 380 - 480 V, 3~.

Frame	Horsepower	Fuse [A]	Mains cable Cu [AWG]	Motor cable Cu [AWG]	Terminal cable size (min/max)			
					Main terminal [AWG]	Earth terminal [AWG]	Control terminal [AWG]	Relay terminal [AWG]
MI1	.5-1HP	6	3*16+16	3*16+16	1.5-4	16-12	20-16	20-16
MI2	1.5-3HP	10	3*16+16	3*16+16	1.5-4	16-12	20-16	20-16
MI3	4-7.5HP	20	3*14+14	3*14+14	16-10	16-10	20-16	20-16
MI4	10-15HP	25	3*10+10	3*10+10	17-6 Cu	17-6	20-16	20-16
MI5	20-25HP	40	3*6+6	3*6+6	14-1 Cu / Al	14-2	20-16	20-16

Table 15. Cable and fuse sizes for SmartVFD HVAC2, 600 V,3~.

Frame	Horsepower	Fuse [A]	Mains cable Cu [AWG]	Motor cable Cu [AWG]	Terminal cable size (min/max)			
					Main terminal [AWG]	Earth terminal [AWG]	Control terminal [AWG]	Relay terminal [AWG]
MI3	1-3HP	6	3*16+16	3*16+16	16-12	16-12	20-16	20-16
MI3	5HP	10	3*16+16	3*16+16	16-12	16-12	20-16	20-16
MI3	7.5HP	20	3*14+14	3*14+14	16-10	16-10	20-16	20-16

NOTE: To fulfill standard EN61800-5-1, the protective conductor should be at least 8 AWG Cu or 6 AWG Al. Another possibility is to use an additional protective conductor of at least the same size as the original one.

Power cabling

NOTE: Tightening torque for power cables is 0.5 - 0.6 Nm (4-5 in.lbs).

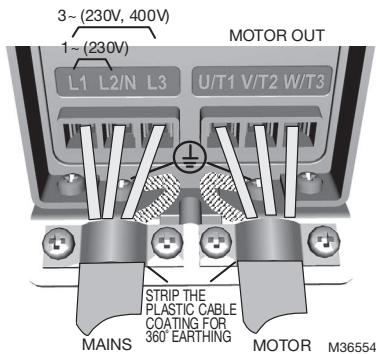


Fig. 14. SmartVFD HVAC2 power connections, MI1.

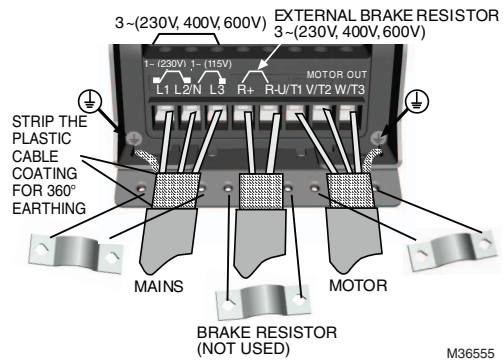


Fig. 15. SmartVFD HVAC2 power connections, MI2 - MI3.

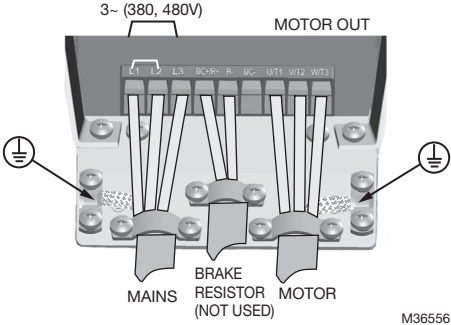


Fig. 16. SmartVFD HVAC2 power connections, MI4.

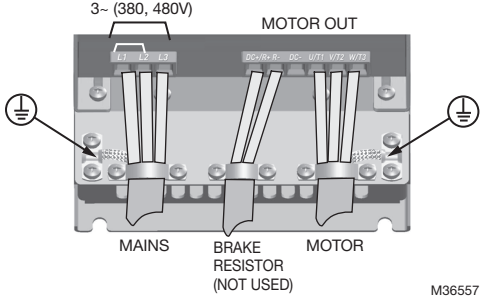


Fig. 17. SmartVFD HVAC2 power connections, MI5.

Control cabling

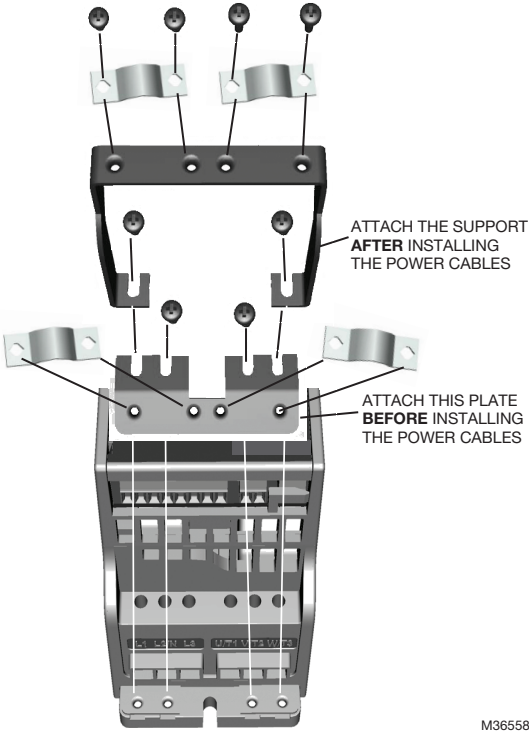


Fig. 18. Mount the PE-plate and API cable support, MI1 - MI3.

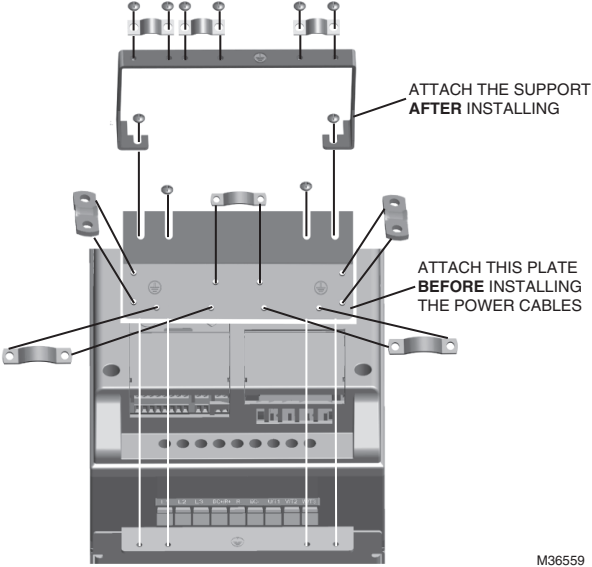
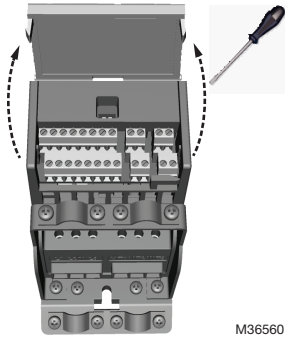
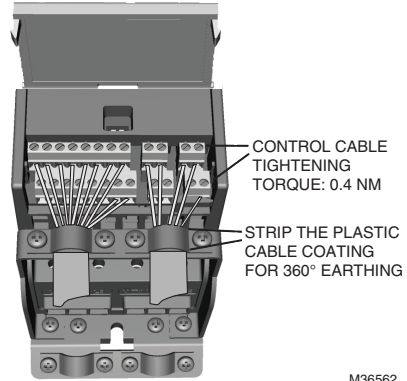


Fig. 19. Mount the PE-plate and API cable support, MI4 - MI5.



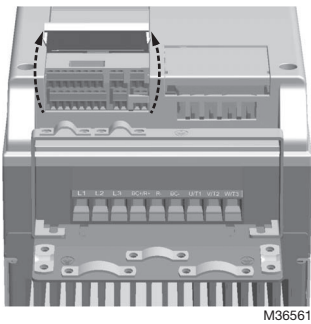
M36560

Fig. 20. Open the lid, MI1 - MI3.



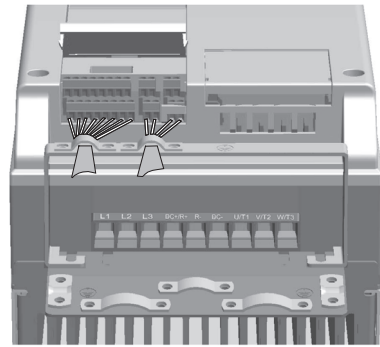
M36562

Fig. 22. Install the control cables. MI1 - MI3.



M36561

Fig. 21. Open the lid, MI4 - MI5.



M36563

Fig. 23. Install the control cables. MI4 - MI5.

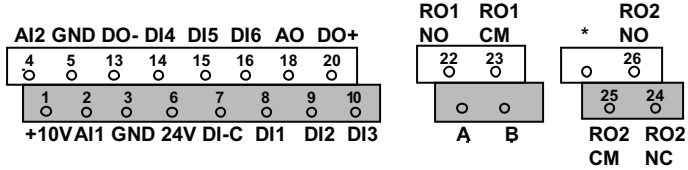


Fig. 24. SmartVFD Compact control connection terminals.

The table below shows the SmartVFD HVAC2 control connections with the terminal numbers.

Table 16. SmartVFD HVAC2 General purpose application default I / O configuration and connections for control board
P = Programmable function.

1-10 kΩ	Terminal	Signal	Factory preset	Description
	1	+10 Vref		Ref. voltage out Maximum load 10 mA
	2	AI1	Freq. reference ^{P)}	0 - 10 V, Ri = 250 kΩ
	3	GND		I / O signal ground
	6	24 Vout		24 V output for DI's ±20%, max. load 50 mA
	7	DLC		Digital Input Common for DI1- DI6.
	8	DI1	Start forward ^{P)}	Positive, Logic1: 18...30V, Logic0: 0...5V; Negative, Logic1: 0...10V, Logic0: 18...30V; Ri = 10KΩ (floating)
	9	DI2	Start reverse ^{P)}	
	10	DI3	Fault reset ^{P)}	
	A	A	RS485 signal A	FB Communication Negative
	B	B	RS485 signal B	FB Communication Positive
	4	AI2	PID actual value and Freq. reference ^{P)}	Default: 0(4) - 20 mA, Ri ≤ 250 Ω Other: 0 - + 10 V, Ri = 250 kΩ Selectable through microswitch
	5	GND		I / O signal ground
	13	DO-		Digital Output Common
	14	DI4		As DI1
	15	DI5		As DI1, Selectable through microswitch
	16	DI6		As DI1
	18	AO	Output frequency ^{P)}	0(4) - 20 mA, RL ≤ 500Ω 0 - 10 V, RL ≥ 1 KΩ Selectable through microswitch
	20	DO	Active = READY ^{P)}	Open collector, max. load 35 V / 50 mA
	22	RO1 NO	Relay out 1	Active = RUN ^{P)} Switching load: 250 Vac / 3 A, 24V DC 3A
	23	RO1 CM		
	24	RO2 NC	Relay out 2	Active = FAULT ^{P)} Switching load: 250 Vac / 3 A, 24V DC 3A
	25	RO2 CM		
	26	RO2 NO		

Fig. 25. Control inputs and outputs – API Full.

FEATURES / FUNCTIONS

Easy to set-up features

Table 17.

Feature	Functions	Benefit
30 second Start-up wizard	Quick wizard allows you to set up basic parameters upon first power up of drive.	Speeds up drive set-up for basic parameters. Includes fire mode set-up if needed.
“Keypad – Remote” Operation	Push the Local/Remote button.	Single button operation to change the control to manual (keypad) and back. Useful function when commissioning and testing applications
Quick Setup Menu	Only the most commonly used parameters are visible in basic view to provide easier navigation. The full view can be seen after P16.2 in HVAC2 Parameter conceal is deactivated by changing the value to 0.	Easy navigation through the most common parameters
SmartVFD Commissioning Tool	<ol style="list-style-type: none"> Parameter sets can be uploaded and downloaded with this tool. Easy to use PC-tool for commissioning the SmartVFD Inverters. Connection with HVFDCABLE and MCA adapter, (HVFDCDMCAKIT/U), to the USB port of the PC. PC-tools available for download free of charge from https://customer.honeywell.com/en-US/support/commercial/software/vfds/Pages/default.aspx 	Parameter copying easily from 1 inverter to another. Easy download of parameter sets created with PC-tool Parameterizing with PC Saving settings to PC Comparing parameter settings

Compact and robust design with easy installation

Table 18.

Feature	Functions	Benefit
Compact size	Minimum free space above and below the drive is required for cooling airflow.	Minimum space requirements
Integrated RFI-filters	Units with E2 suffix in the part number comply with EN61800-3 category C2 as standard. This level is the required level for public electricity networks such as buildings.	Easy selection and installation of products. Space savings Cost savings
Max. ambient temperature + 122 °F (some exceptions)	High maximum ambient operating temperature	Uninterruptible operation
Side by side mounting with screws or DIN-rail as standard	SmartVFD HVAC2 MI1-MI3 can be mounted side by side with no space between the units either with screws or on DIN-rail as standard. (For MI4-MI5, side to side installation is not allowed and there is no DIN rail option.) Dimensions for screw mounting can be found also on the back of the inverter.	Easy installation Space savings

Uninterruptible operation functions

Table 19.

Feature	Functions	Benefit
Overtemperature ride-through	Automatically adjusts switching frequency to adapt to unusual increase in ambient	Uninterruptible operation
Power ride-through	Automatically lowers motor speed to adapt to sudden voltage drop such as power loss	Uninterruptible operation
Auto restart function	Auto restart function can be configured to make VFD restart automatically once fault is addressed	Uninterruptible operation

VFD and motor control features

Table 20.

Feature	Functions	Benefit
Flying start	Ability to get an already spinning fan under speed control	Improved performance Ease of application
Inbuilt PID controller	Capability to make a standalone system with sensor connected directly to the inverter for complete PI- control.	Cost saving

OPTIONAL ACCESSORIES

Table 21.

Part Number	Description
HVFDCDNEMA1FR1/U	Nema 1 Kit MI1
HVFDCDNEMA1FR2/U	Nema 1 Kit MI2
HVFDCDNEMA1FR3/U	Nema 1 Kit MI3
HVFDCDNEMA1FR4	Nema 1 Kit MI4
HVFDCDNEMA1FR5	Nema 1 Kit MI5
HVFD2DMOUNTKIT/U	SmartVFD HVAC2 door mounting kit
HVFDCABLE/U	SmartVFD Commissioning Cable and USB Adapter
HVFDCDMCA/U	Compact Commissioning Device
HVFDCDMCAKIT/U	Compact Commissioning Kit (Cable, USB Adapter, and Device combined)

Table 22.

Option boards (all boards are varnished)	
HVFDSDOPT6DI/U	6 x DI/DO, each I/O can be individually
HVFDSDOPT2RO1T/U	2 x Relay output + Thermistor
HVFDSDOPT1AI2AO/U	1 x AI, 2 x AO (isolated)
HVFDSDOPT3RO/U	3 x Relay output
HVFDSDOPT1RO5DI/U	1 x RO, 5 x DI (42-240 VAC)
HVFDOPPTMP	3 x Temperature measurement (support for PT100, PT1000, NI1000, KTY84-130, KTY84-150, KTY84-131 sensors)

Table 23.

Option board assembly structure	
HVFD2DOPTFR123	Option board mounting kit HVAC2 MI1-MI3
HVFD2DOPTFR45	Option board mounting kit HVAC2 MI4-MI5

By using this Honeywell literature, you agree that Honeywell will have no liability for any damages arising out of your use or modification to, the literature. You will defend and indemnify Honeywell, its affiliates and subsidiaries, from and against any liability, cost, or damages, including attorneys' fees, arising out of, or resulting from, any modification to the literature by you.

Home and Building Technologies

In the U.S.:

Honeywell

1985 Douglas Drive North

Golden Valley, MN 55422

customer.honeywell.com

® U.S. Registered Trademark
© 2016 Honeywell International Inc.
31-00109EF-01 M.S. 12-16
Printed in United States

Honeywell

Honeywell

SmartVFD HVAC2

DONNÉES DU PRODUIT



INFORMATIONS D'ORDRE GÉNÉRAL

Les variateurs de fréquence SmartVFD HVAC2 permettent un contrôle de vitesse continu pour diverses applications :

- Pompes
- Ventilateurs
- Compresseurs

CARACTÉRISTIQUES

- **Format compact : fait gagner de la place dans l'armoire de votre équipement**
- **Modèles disponibles jusqu'à 25 HP**
- **Support de moteur à aimants permanents**
- **Fonctionnalité d'optimisation énergétique**
- **Données de processus FB (Fieldbus) programmable**
- **Supervisions des limites réglables**
- **Mesure de la température avec la carte en option HVFDOPTTMP du capteur de température**
- **Montage côte à côte flexible avec vis ou rails DIN standard pour les dimensions de cadre MI1-MI3**
- **Régime nominal unique adapté aux applications de pompes et de ventilateurs ou de machines**
- **Température ambiante maximale : +122 °F pour la plupart des variateurs**

- **Fonction de mode de déclenchement**
- **Filtres RFI intégrés**
- **Modèles disponibles avec ou sans filtre CEM de la classe C2**
- **Vastes possibilités de connexion d'entrée et de sortie**
- **Entrées et sorties configurables**
- **Assistant de démarrage en 30 secondes**
- **Passage facile du « clavier au mode à distance » avec 1 bouton**
- **Paramétrage des transmissions/réceptions même sans alimentation principale du variateur grâce à l'accessoire HVFDCABLE**
- **Fonctionnement silencieux du moteur avec une fréquence de commutation de 4 kHz**
- **Système anti-panne de surchauffe**
- **Préchauffage du moteur**
- **Système anti-panne d'alimentation**
- **Redémarrage automatique**
- **Régulateur PID intégré**
- **Boîtier NEMA 1 en option**
- **Communication Modbus RS485 intégrée**

SPÉCIFICATIONS

Raccordement au secteur

Tension d'entrée U_{in} :

115 V, -15 %...+10 % monophasé
208...240 V, -15 %...+10% monophasé
208...240 V, -15 %...+10 % triphasé
380 - 480 V, -15 %...+10 % triphasé
600 V, -15 %...+10 % triphasé

Fréquence d'entrée : 45...66 Hz

Raccordement au secteur : Une fois par minute ou moins (cas normal)

Réseau d'alimentation

Réseaux :

Le SmartVFD HVAC2 (400 V) ne peut pas être utilisé avec des réseaux à une phase connectée à la terre

Courant de court-circuit :

Le courant de court-circuit maximal doit être < 50 kA



31-00109EF-01

Raccordement du moteur

Tension de sortie : $0 - U_{in}$

Courant de sortie :

Courant nominal continu I_N à une température ambiante maximale de +50 °C (selon la taille de l'unité), surcharge :
1,5 x I_N max
1 min / 10 min

Courant/couple de démarrage : Courant 2 x I_N pendant 2 s toutes les 20 s. Le couple dépend du moteur.

Fréquence de sortie : 0...320 Hz

Résolution en fréquence : 0,01 Hz

Raccordements des commandes

Entrée numérique :

Positive, Logique 1 : 18...+30 V, Logique 0 : 0...5V;
Négative, Logique 1 : 0...10 V, Logique 0 : 18...30 V; $R_i = 10$ K Ω (variable)

Tension d'entrée analogique : 0...+10 V, $R_i = 250$ K Ω

Analogique input current 0(4)...20 mA, $R_i \leq 250$ Ω

Sortie analogique :

0...10 V, $R_L \geq 1$ K Ω ; 0(4)...20 mA, $R_L \leq 500$ Ω , sélectionnable à l'aide du microcommutateur

Sortie numérique :

Collecteur ouvert, charge max. 35 V/50 mA (variable)

Sortie de relais : Pouvoir de coupure :

250 Vca/3 A, 24 V c. c 3 A

Tension auxiliaire : ± 20 %, charge max. 50 mA

Caractéristiques de contrôle

Méthode de contrôle :

Régulation de fréquence U/f
Commande vectorielle sans capteur en boucle ouverte

Fréquence de commutation : 1...16 kHz; réglage par défaut 4 kHz

Référence de fréquence : Résolution 0,01 Hz

Point de shuntage : 30...320 Hz

Temps d'accélération : 0,1...3 000 s

Temps de décélération : 0,1...3 000 s

Couple de freinage :

100 %* T_N avec option de frein (uniquement sur les variateurs triphasés de tailles MI2-5) 30 %* T_N sans option de frein

Conditions ambiantes

Températures de fonctionnement :

14 °F (-10 °C) (sans gel)...+104/122 °F (+40/50 °C) (selon la taille de l'unité) : capacité de charge nominale I_N
En cas d'installation côte à côte pour MI1-3, la température est toujours de 104 °F (40 °C); Pour l'option IP21/Nema1 dans l'unité MI1-3, la température maximale est aussi de 104 °F (40 °C)

Température de stockage :

-40 °F (-40 °C)...+158 °F (70 °C)

Qualité de l'air :

Vapeurs chimiques :
IEC 721-3-3, unité en service, classe 3C2

Particules mécaniques :

IEC 721-3-3, unité en service, classe 3S2

Altitude :

Capacité de charge de 100 % (sans réduction de charge) jusqu'à 3 281 pi (1 000 m).

Réduction de charge de 1 % tous les 328 pi (100 m) au-dessus de 3 281 pi (1 000 m); 6 562 pi (2 000 m) max.

Humidité relative :

0...95 % HR, sans condensation, sans corrosion, sans ruissellement d'eau

Vibration : 3...150 Hz

EN60068-2-6 :

Amplitude de déplacement 1 mm (pic) à 3...15,8 Hz
Amplitude d'accélération max. 1 G à 15,8...150 Hz

Choc

IEC 68-2-27:

Essai de chute UPS (pour les poids UPS applicables)

Entreposage et transport : 15 g max., 11 ms (emballé)

Classe de protection : IP20 pour MI1-3, IP21 pour MI4-5. Avec le kit HVFDCDNEMA1xxx; IP21/NEMA1 pour MI1-5.

Degré de pollution : PD2

Compatibilité électromagnétique (CEM)

Immunité :

Conforme aux normes EN50082-1, -2, EN61800-3

Émissions :

230 V : Conforme à la catégorie C2 de CEM; avec filtre RFI interne

400 V : Conforme à la catégorie C2 de CEM; avec filtre RFI interne

Sécurité :

Pour la sécurité : UL508C, EN61800-5, CE, UL, cUL, KC

Pour la CEM : EN61800-3, CE, KC

Protections

Protection contre les surtensions :

875 VDC dans HVFD2DXCXXXXXXX

437 VDC dans HVFD2DXBXXXXXXX

Protection contre les sousextensions :

333 VDC dans HVFD2DXCXXXXXXX

160 VDC dans HVFD2DXBXXXXXXX

Protection contre les défauts à la terre :

En cas de défauts à la terre dans le moteur ou dans le câble du moteur, seul le variateur de fréquence est protégé

Protection contre la surchauffe de l'appareil : OUI

Protection contre la surcharge du moteur : OUI

Protection contre le calage du moteur (ventilateur/pompe bloqués) : OUI

Protection contre la sous-charge du moteur (détection de pompe sèche/courroie brisée) : OUI

Protection contre les courts-circuits de tensions de référence de +24 V et +10 V : OUI

Protection contre les surintensités : Limite de déclenchement $4,0 \cdot I_N$ instantanément

MODÈLES

Tension secteur 208-240 V

Tableau 1. Tension secteur 208-240 V, 50/60 Hz, série monophasée.

Numéro de pièce	Capacité de charge nominale		Puissance de l'arbre du moteur		Courant d'entrée nominal	Dimensions mécaniques	Poids (lb)
	Courant continu à 100 % I _n [A]	Courant de surintensité à 150 % [A]	P [HP]	P [KW]	[A]		
HVFD2D1B0003E2	1.7	2.6	0.33	0.25	4.2	MI1	1.21
HVFD2D1B0005E2	2.4	3.6	0.5	0.37	5.7	MI1	1.21
HVFD2D1B0007E2	2.8	4.2	0.75	0.55	6.6	MI1	1.21
HVFD2D1B0010E2	3.7	5.6	1	0.75	8.3	MI2	1.54
HVFD2D1B0015E2	4.8	7.2	1.5	1.1	11.2	MI2	1.54
HVFD2D1B0020E2	7	10.5	2	1.5	14.1	MI2	1.54
HVFD2D1B0030E2*	9.6	14.4	3	2.2	22.1	MI3	2.18

* La température ambiante de fonctionnement maximale de ce variateur est de 104 °F (40 °C).

Tableau 2. Tension secteur 208-240 V, 50/60 Hz, série triphasée.

Numéro de pièce	Capacité de charge nominale		Puissance de l'arbre du moteur		Courant d'entrée nominal	Dimensions mécaniques	Poids (lb)
	Courant continu à 100 % I _n [A]	Courant de surintensité à 150 % [A]	P [HP]	P [KW]	[A]		
HVFD2D3B0003	1.7	2.6	0.33	0.25	2.7	MI1	1.21
HVFD2D3B0005	2.4	3.6	0.5	0.37	3.5	MI1	1.21
HVFD2D3B0007	2.8	4.2	0.75	0.55	3.8	MI1	1.21
HVFD2D3B0010	3.7	5.6	1	0.75	4.3	MI2	1.54
HVFD2D3B0015	4.8	7.2	1.5	1.1	6.8	MI2	1.54
HVFD2D3B0020*	7	10.5	2	1.5	8.4	MI2	1.54
HVFD2D3B0030*	11	16.5	3	2.2	13.4	MI3	2.18
HVFD2D3B0040	12.5	18.8	4	3	14.2	MI4	19.13
HVFD2D3B0050	17.5	26.3	5	4	20.6	MI4	19.13
HVFD2D3B0075	25	37.5	7.5	5.5	30.3	MI4	19.13
HVFD2D3B0100	31	46.5	10	7.5	36.6	MI5	24.4
HVFD2D3B0150	38	57	15	11	44.6	MI5	24.4

* La température ambiante de fonctionnement maximale de ces variateurs est de 104 °F (40 °C).

Tension secteur 115 V

Tableau 3. Tension secteur 115 V, 50/60 Hz, série monophasée.

Numéro de pièce	Capacité de charge nominale		Puissance de l'arbre du moteur		Courant d'entrée nominal	Dimensions mécaniques	Poids (lb)
	Courant continu à 100 % I _n [A]	Courant de surintensité à 150 % [A]	P [HP]	P [KW]	[A]		
HVFD2D1A0003	1.7	2.6	0.33	0.25	9.2	MI2	1.54
HVFD2D1A0005	2.4	3.6	0.5	0.37	11.6	MI2	1.54
HVFD2D1A0007	2.8	4.2	0.75	0.55	12.4	MI2	1.54
HVFD2D1A0010	3.7	5.6	1	0.75	15	MI2	1.54
HVFD2D1A0015	4.8	7.2	1.5	1.1	16.5	MI3	2.18

Tension secteur 380-480 V

Tableau 4. Tension secteur 380-480 V, 50/60 Hz, série triphasée.

Numéro de pièce	Capacité de charge nominale		Puissance de l'arbre du moteur		Courant d'entrée nominal	Dimensions mécaniques	Poids (lb)
	Courant continu à 100 % I _n [A]	Courant de surintensité à 150 % [A]	P [HP]	P [KW]	[A]		
HVFD2D3C0005xx	1.3	2	0.5	0.37	2.2	MI1	1.21
HVFD2D3C0007xx	1.9	2.9	0.75	0.55	2.8	MI1	1.21
HVFD2D3C0010xx	2.4	3.6	1	0.75	3.2	MI1	1.21
HVFD2D3C0015xx	3.3	5	1.5	1.1	4	MI2	1.54
HVFD2D3C0020xx	4.3	6.5	2	1.5	5.6	MI2	1.54
HVFD2D3C0030xx	5.6	8.4	3	2.2	7.3	MI2	1.54
HVFD2D3C0040xx	7.6	11.4	4	3	9.6	MI3	2.18
HVFD2D3C0050xx	9	13.5	5	4	11.5	MI3	2.18
HVFD2D3C0075xx	12	18	7.5	5.5	14.9	MI3	2.18
HVFD2D3C0100xx	16	24	10	7.5	17.1	MI4	19.13
HVFD2D3C0150xx	23	34.5	15	11	25.5	MI4	19.13
HVFD2D3C0200xx	31	46.5	20	15	33	MI5	24.4
HVFD2D3C0250xx	38	57	25	18.5	41.7	MI5	24.4

Tension secteur 600 V

Tableau 5. Tension secteur 600 V, 50/60 Hz, série triphasée.

Numéro de pièce	Capacité de charge nominale		Puissance de l'arbre du moteur		Courant d'entrée nominal	Dimensions mécaniques	Poids (lb)
	Courant continu à 100 % I _n [A]	Courant de surintensité à 150 % [A]	P [HP]	P [KW]	[A]		
HVFD2D3F0010	1.7	2.6	1	0.75	2	MI3	2.18
HVFD2D3F0020	2.7	4.2	2	1.5	3.6	MI3	2.18
HVFD2D3F0030	3.9	5.9	3	2.2	5	MI3	2.18
HVFD2D3F0050	6.1	9.2	5	4	7.6	MI3	2.18
HVFD2D3F0075	9	13.5	7.5	5.5	10.4	MI3	2.18

CODE D'IDENTIFICATION DES PRODUITS

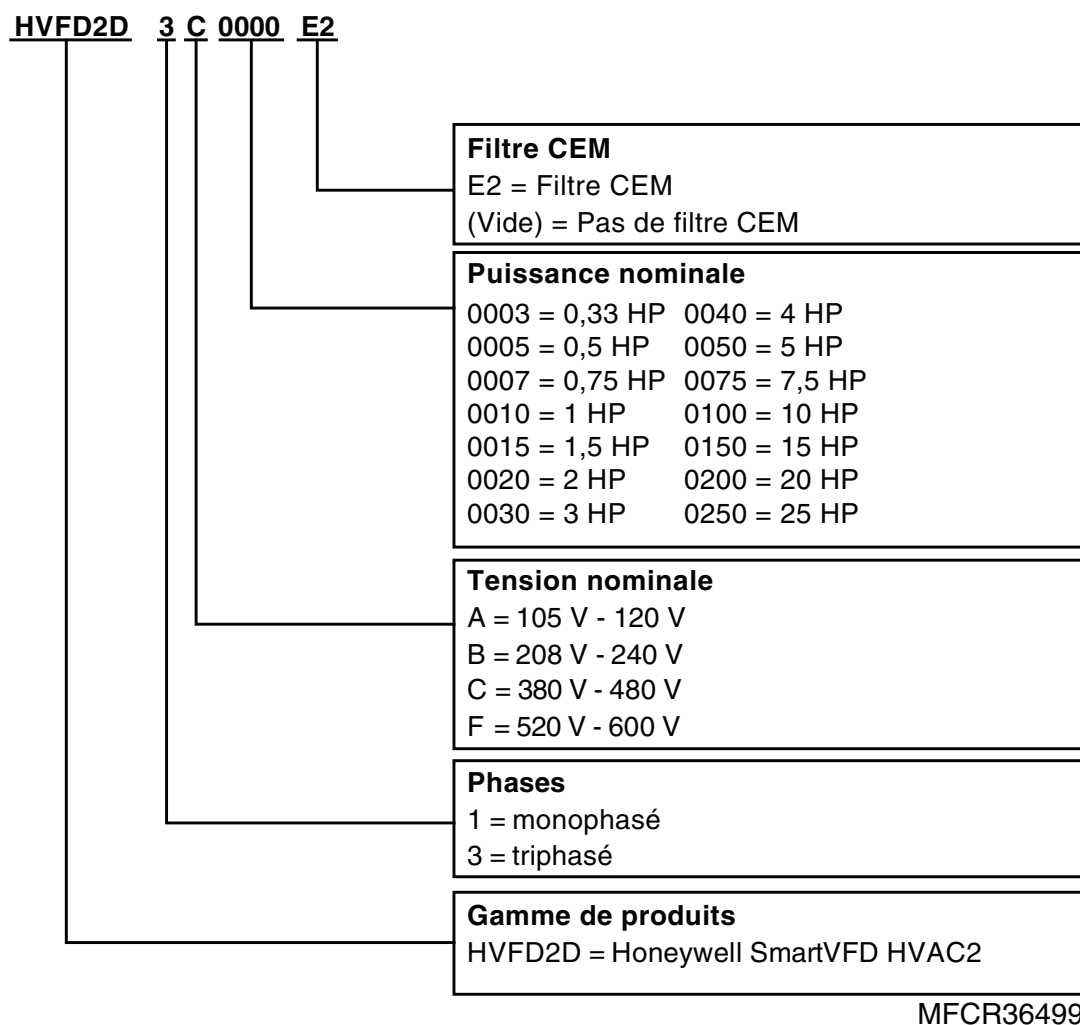


Fig. 1. Code de désignation du type SmartVFD HVAC2.

MONTAGE MÉCANIQUE

Il existe deux possibilités d'installation du SmartVFD HVAC2 au mur. Pour MI1-MI3, montage à vis ou sur rail DIN; pour MI4-MI5, montage à vis ou sur bride.

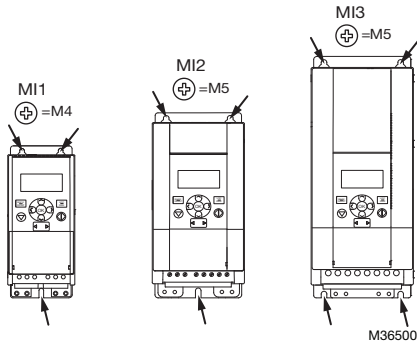


Fig. 2. Montage à vis, MI1 - MI3

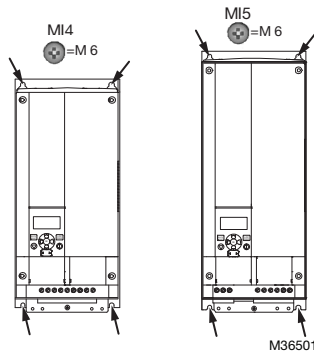


Fig. 3. Montage à vis, MI4 - MI5

REMARQUE : Reportez-vous aux dimensions de montage, au dos du variateur.

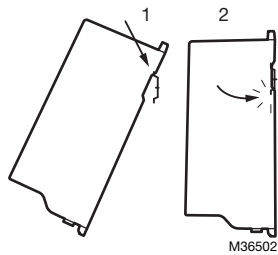


Fig. 4. Montage sur rail DIN, MI1 - MI3

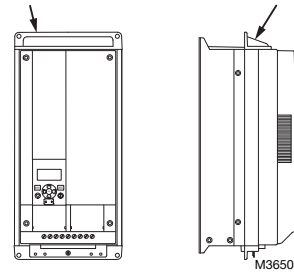


Fig. 5. Montage sur bride, MI4 - MI5

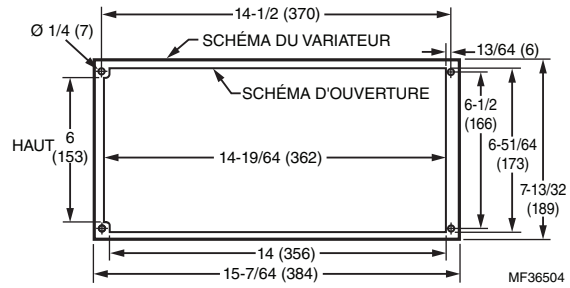


Fig. 6. Montage sur bride, dimensions de découpe pour MI4 [Unité : pouces (mm)]

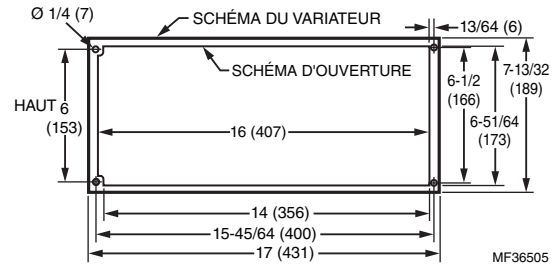


Fig. 7. Montage sur bride, dimensions de découpe pour MI5 [Unité : pouces (mm)]

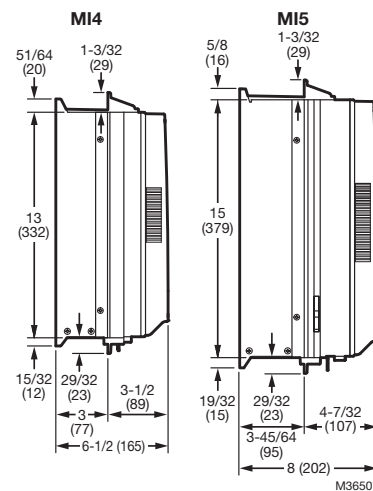


Fig. 8. Montage sur bride, dimensions en profondeur pour MI4 et MI5 [Unité : pouces (mm)]

DIMENSIONS

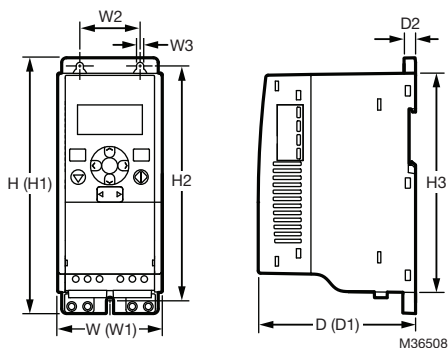


Fig. 9. Dimensions du SmartVFD HVAC2, MI1 - MI3.

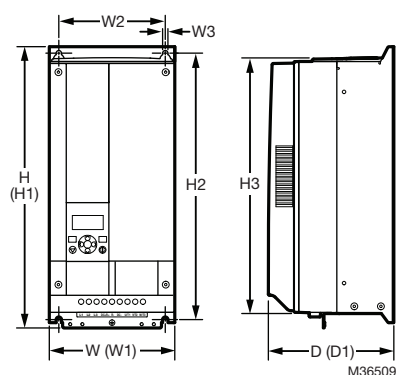
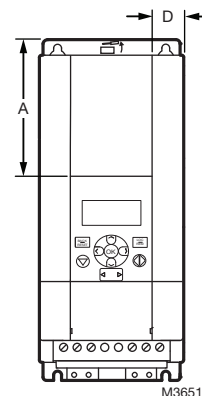


Fig. 10. Dimensions du SmartVFD HVAC2, MI4 - MI5.

Tableau 6. Dimensions du SmartVFD HVAC2 en pouces (mm).

Type	H1	H2	H3	W1	W2	W3	D1	D2
MI1	6.3 (160.1)	5.8 (147)	5.4 (137.3)	2.6 (65.5)	1.5 (37.8)	.18 (4.5)	3.9 (98.5)	.28 (7)
MI2	7.7 (195)	7.2 (183)	6.7 (170)	3.5 (90)	2.5 (62.5)	.2 (5.5)	4 (101.5)	.28 (7)
MI3	10 (254.3)	9.6 (244)	90 (229.3)	3.9 (100)	2.95 (75)	.2 (5.5)	4.3 (108.5)	.28 (7)
MI4	14.6 (370)	13.8 (350.5)	13.2 (336.5)	6.5 (165)	5.5 (140)	.28 (7)	6.5 (165)	-
MI5	16.3 (414)	15.7 (398)	15 (383)	6.5 (165)	5.5 (140)	.28 (7)	7.9 (202)	-

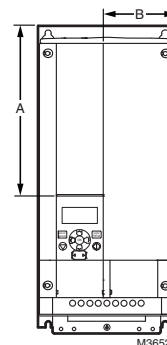
Tableau 7. Dimensions (mm) et poids en lb (kg) du châssis du SmartVFD HVAC2.

Châssis	Dimensions en pouces (mm)			Poids en lb (en kg).*
	W	H	D	
MI1	2.6 (66)	6.3 (160)	3.9 (98)	1.2 (0.5)
MI2	3.5 (90)	7.7 (195)	4 (102)	1.5 (0.7)
MI3	3.9 (100)	10 (254.3)	4.3 (109)	2.2 (1)
MI4	6.5 (165)	14.3 (370)	6.5 (165)	18 (8)
MI5	6.5 (165)	16.3 (414)	8 (202)	22 (10)

*sans l'emballage d'expédition

Dimensions en pouces (mm)	Châssis	
	MI2	MI3
A	.7 (17)	.9 (22.3)
B	1.7 (44)	4 (102)

Fig. 11. Dimensions du SmartVFD HVAC2, MI2 - 3 Emplacement de l'affichage.



Dimensions en pouces (mm)	Châssis	
	MI4	MI5
A	8 (205)	9.8 (248.5)
B	3.4 (87)	3.4 (87)

Fig. 12. Dimensions du SmartVFD HVAC2, MI4 -5 Emplacement de l'affichage.

REFROIDISSEMENT

Il convient de laisser suffisamment d'espace libre au-dessus et en dessous du variateur de fréquence pour garantir une circulation de l'air et un refroidissement suffisants. Vous trouverez les dimensions requises pour l'espace libre dans le tableau ci-dessous.

Si plusieurs appareils sont installés l'un au-dessus de l'autre, l'espace libre requis équivaut à C + D. Par ailleurs, l'air de sortie utilisé par l'appareil inférieur pour le refroidissement doit être orienté en direction opposée à l'entrée d'air de l'appareil supérieur.

La quantité d'air de refroidissement requise est indiquée ci-dessous. Veuillez également à ce que la température de l'air de refroidissement ne dépasse pas la température ambiante maximale du variateur.

Tableau 8. Dégagement min. autour du variateur CA.

Dégagement min. en pouces (mm)				
Type	A	B	C	D
MI1	.8 (20)	.8 (20)	3.9 (100)	2 (50)
MI2	.8 (20)	.8 (20)	3.9 (100)	2 (50)
MI3	.8 (20)	.8 (20)	3.9 (100)	2 (50)
MI4	.8 (20)	.8 (20)	3.9 (100)	3.9 (100)
MI5	.8 (20)	.8 (20)	4.7 (120)	3.9 (100)

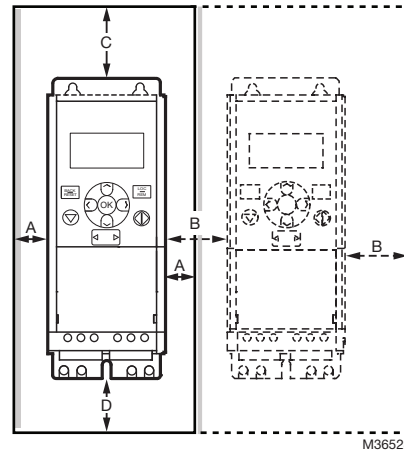


Fig. 13. Espace d'installation.

CÂBLAGE ET FUSIBLES

Utilisez des câbles dotés d'une résistance à la chaleur d'au moins 158 °F (70 °C). Les câbles et les fusibles doivent posséder les dimensions indiquées dans les tableaux ci-dessous.

Les fusibles jouent également le rôle de protection contre la surcharge des câbles.

Les présentes instructions s'appliquent uniquement aux cas possédant un moteur et un raccordement de câble reliant le variateur de fréquence au moteur. Dans tout autre cas, demandez davantage d'informations à l'usine.

Tableau 9. Types de câbles requis pour respecter les normes.

Catégorie CEM	cat. C2	cat. C4
Types de câbles secteur	1	1
Types de câbles du moteur	3	1
Types de câbles de commande	4	4

Tableau 10. Description des types de câbles.

Type de câble	Description
1	Câble d'alimentation destiné à une installation fixe et à une tension secteur spécifique. Câble blindé non requis. (NKCABLES/MCMK ou similaires recommandés)
2	Câble d'alimentation équipé d'un fil de protection concentrique et destiné à une tension secteur spécifique. (NKCABLES/MCMK ou similaires recommandés).
3	Câble d'alimentation équipé d'un blindage de faible impédance compact et destiné à une tension secteur spécifique. (NKCABLES/MCCMK, SAB/ÖZCUY-J ou similaires recommandés). *Mise à la masse à 360° à la fois du moteur et de la connexion FC requise pour respecter la norme
4	Câble blindé doté d'un blindage de faible impédance compact (NKCABLES/Jamak, SAB/ÖZCuY-O ou similaire).

Tableau 11. Tailles de câbles et de fusibles pour le SmartVFD HVAC2, 115 V, monophasé.

Châssis	Puissance	Fusible [A]	Câbles secteur Cu [AWG]	Câble de moteur Cu [AWG]	Taille du câble de la borne (min./max.)			
					Borne principale [AWG]	Borne de terre [AWG]	Borne de commande [AWG]	Borne relais [AWG]
MI2	0,33-1 HP	20	2*14+14	3*16+16	16-12	16-12	20-16	20-16
MI3	1,5 HP	32	2*10+10	3*16+16	16-12	16-12	20-16	20-16

Tableau 12. Tailles de câbles et de fusibles pour le SmartVFD HVAC2, 208 - 240 V, monophasé.

Châssis	Puissance	Fusible [A]	Câbles secteur Cu [AWG]	Câble de moteur Cu [AWG]	Taille du câble de la borne (min./max.)			
					Borne principale [AWG]	Borne de terre [AWG]	Borne de commande [AWG]	Borne relais [AWG]
MI1	0,33-0,75 HP	10	2*16+16	3*16+16	16-12	16-12	20-16	20-16
MI2	1-2 HP	20	2*14+14	3*16+16	16-12	16-12	20-16	20-16
MI3	3 HP	32	2*10+10	3*16+16	16-10	16-10	20-16	20-16

Tableau 13. Tailles de câbles et de fusibles pour le SmartVFD HVAC2, 208 - 240 V, triphasé.

Châssis	Puissance	Fusible [A]	Câbles secteur Cu [AWG]	Câble de moteur Cu [AWG]	Taille du câble de la borne (min./max.)			
					Borne principale [AWG]	Borne de terre [AWG]	Borne de commande [AWG]	Borne relais [AWG]
MI1	0,33-0,75 HP	6	3*16+16	3*16+16	16-12	16-12	20-16	20-16
MI2	1-2 HP	10	3*16+16	3*16+16	16-12	16-12	20-16	20-16
MI3	3 HP	20	3*14+14	3*14+14	16-10	16-10	20-16	20-16
MI4	4-7,5 HP	20 25 40	3*10+10	3*10+10	17-6 Cu	17-6	20-16	20-16
MI5	10-15 HP	40	3*6+6	3*6+6	14-1 Cu / Al	14-2	20-16	20-16

Tableau 14. Tailles de câbles et de fusibles pour le SmartVFD HVAC2, 380 - 480 V, triphasé.

Châssis	Puissance	Fusible [A]	Câbles secteur Cu [AWG]	Câble de moteur Cu [AWG]	Taille du câble de la borne (min./max.)			
					Borne principale [AWG]	Borne de terre [AWG]	Borne de commande [AWG]	Borne relais [AWG]
MI1	0,5-1 HP	6	3*16+16	3*16+16	1,5-4	16-12	20-16	20-16
MI2	1,5-3 HP	10	3*16+16	3*16+16	1,5-4	16-12	20-16	20-16
MI3	4-7,5 HP	20	3*14+14	3*14+14	16-10	16-10	20-16	20-16
MI4	10-15 HP	25	3*10+10	3*10+10	17-6 Cu	17-6	20-16	20-16
MI5	20-25 HP	40	3*6+6	3*6+6	14-1 Cu / Al	14-2	20-16	20-16

Tableau 15. Tailles de câbles et de fusibles pour le SmartVFD HVAC2, 600 V, triphasé.

Châssis	Puissance	Fusible [A]	Câbles secteur Cu [AWG]	Câble de moteur Cu [AWG]	Taille du câble de la borne (min./max.)			
					Borne principale [AWG]	Borne de terre [AWG]	Borne de commande [AWG]	Borne relais [AWG]
MI3	1-3 HP	6	3*16+16	3*16+16	16-12	16-12	20-16	20-16
MI3	5 HP	10	3*16+16	3*16+16	16-12	16-12	20-16	20-16
MI3	7,5 HP	20	3*14+14	3*14+14	16-10	16-10	20-16	20-16

REMARQUE : Pour satisfaire à la norme EN61800-5-1, le conducteur de protection doit être au moins un câble Cu 8 AWG ou un câble Al 6 AWG. Une autre possibilité consiste à utiliser un conducteur de protection supplémentaire ayant au moins la même taille que l'original.

Câblage d'alimentation

REMARQUE : Le couple de serrage pour les câbles d'alimentation est de 0,5 - 0,6 Nm (4-5 po.lb).

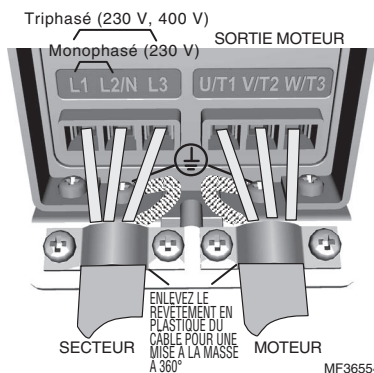


Fig. 14. Raccordements électriques du SmartVFD HVAC2, MI1.

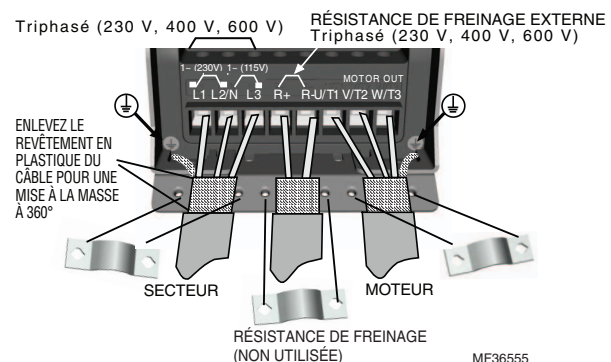


Fig. 15. Raccordements électriques du SmartVFD HVAC2, MI2 - MI3.

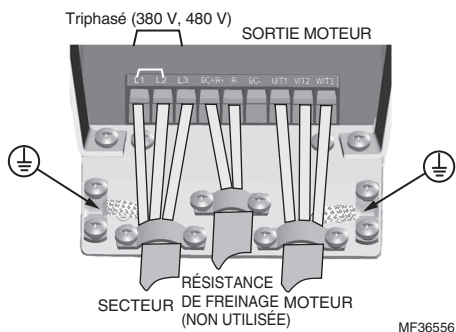


Fig. 16. Raccordements électriques du SmartVFD HVAC2, MI4.

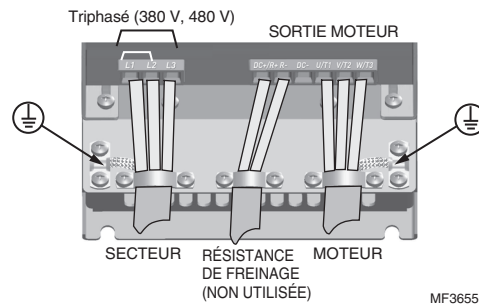


Fig. 17. Raccordements électriques du SmartVFD HVAC2, MI5.

Câblage de commande

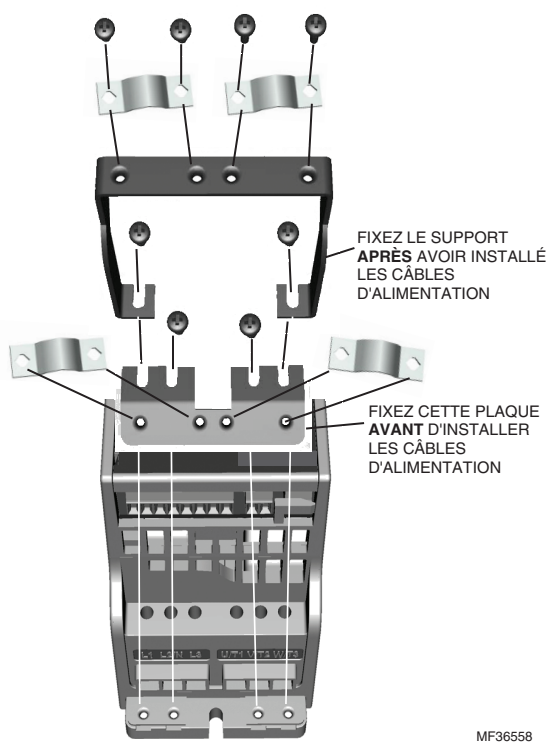


Fig. 18. Installation de la plaque en PE et du support de câble API, MI1 - MI3.

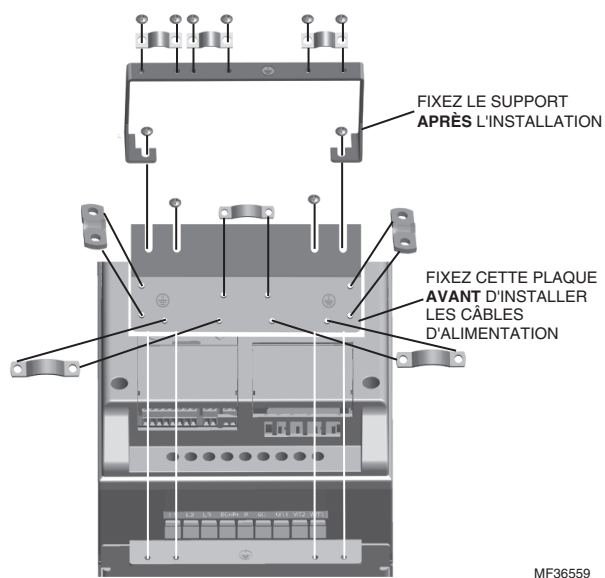
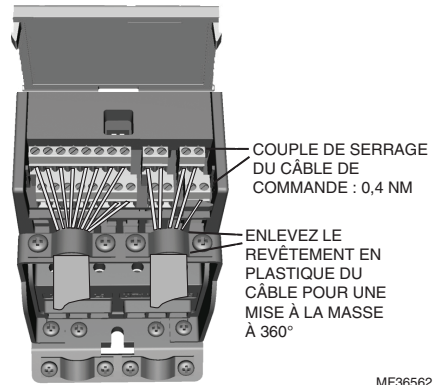


Fig. 19. Installation de la plaque en PE et du support de câble API, MI4 - MI5.



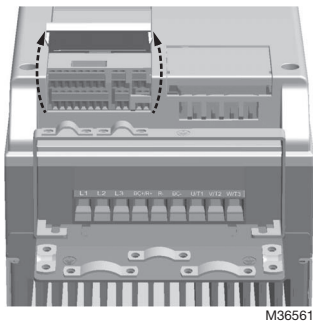
M36560

Fig. 20. Ouverture du couvercle, MI1 - MI3.



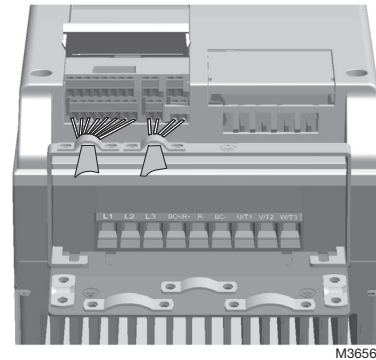
MF36562

Fig. 22. Installation des câbles de commande. MI1 - MI3.



M36561

Fig. 21. Ouverture du couvercle, MI4 - MI5.



M36563

Fig. 23. Installation des câbles de commande. MI4 - MI5.

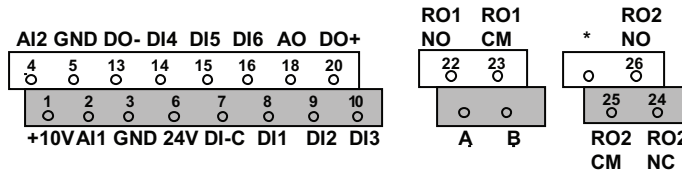


Fig. 24. Bornes de raccordement de commande du SmartVFD Compact.

Le tableau ci-dessous indique les raccordements de commande du SmartVFD HVAC2 avec les numéros de bornes.

Tableau 16. Configuration et raccordements par défaut des E/S pour la carte de commande avec l'application généraliste du SmartVFD HVAC2 P = Fonction programmable.

1-10 kΩ	Borne	Signal	Préréglage usine	Description	
	1	+10 Vref	Tension réf. en sortie	Charge maximale 10 mA	
	2	AI1	Signal analogique en 1	Réf. de fréquence ^{p)}	0 - 10 V, Ri = 250 kΩ
	3	GND	Terre du signal d'E/S		
	6	Sortie 24 V	Sortie 24 V pour les entrées numériques (DI)		±20%, max. load 50 mA
	7	DI_C	Commun d'entrée numérique		Commun d'entrée numérique pour DI1-DI6.
	8	DI1	Entrée numérique 1	Marche avant ^{p)}	Positif, Logique 1: 18...30 V, Logique 0: 0...5 V; Negative, Logic1: 0...10 V, Logic0: 18...30 V; Ri = 10KΩ (variable)
	9	DI2	Entrée numérique 2	Marche arrière ^{p)}	
	10	DI3	Entrée numérique 3	Réarmement défaut ^{p)}	
	A	A	Signal RS485 A	Communication FB	Négatif
	B	B	Signal RS485 B	Communication FB	Positif
	4	AI2	Signal analogique en 2	Valeur réelle PID et réf. de fréquence ^{p)}	Préréglage : 0(4) - 20 mA, Ri ≤ 250 Ω Autre : 0 - + 10 V, Ri = 250 kΩ Sélectionnable par microcommutateur
	5	GND	Terre du signal d'E/S		
	13	DO-	Commun de sortie numérique		Commun de sortie numérique
	14	DI4	Entrée numérique 4		Comme DI1
	15	DI5	Entrée numérique 5		Comme DI1, Sélectionnable par microcommutateur
	16	DI6	Entrée numérique 6		Comme DI1
	18	A0	Sortie analogique	Fréquence de sortie ^{p)}	0(4) - 20 mA, RL ≤ 500Ω 0 - 10 V, RL ≥ 1 KΩ Sélectionnable par microcommutateur
	20	DO	Sortie signal numérique	Active = READY ^{p)}	Collecteur ouvert, charge max. 35 V/50 mA
	22	R01 NO	Sortie relais 1	Active = RUN ^{p)}	Charge de coupure : 250 V CA/3 A, 24 V CC 3 A
	23	R01 CM			
	24	R02 NC	Sortie relais 2	Active = FAULT ^{p)}	Charge de coupure : 250 V CA/3 A, 24 V CC 3 A
	25	R02 CM			
	26	R02 NO			

Fig. 25. Entrées et sorties de commande - API complète.

CARACTÉRISTIQUES/FONCTIONS

Fonctionnalités de configuration facile

Tableau 17.

Caractéristique	Fonctions	Avantage
Assistant de démarrage en 30 secondes	L'assistant de démarrage rapide vous permet de configurer les paramètres de base dès la première mise sous tension du variateur.	Accélère la configuration des paramètres de base. Comporte une configuration du mode de déclenchement si besoin.
Fonctionnement "Clavier - À distance "	Appuyez sur le bouton Local/Remote (Local/À distance).	Fonctionnement à touche unique pour basculer la commande en manuel (clavier) et inversement. Fonction utile pendant les applications de tests et de mise en service
Menu de configuration rapide	Seuls les paramètres les plus fréquemment utilisés sont visibles dans la vue de base pour faciliter la navigation. La vue complète peut être affichée après la désactivation de P16.2 dans HVAC2 Masquer les paramètres en basculant la valeur sur 0.	Navigation facile dans l'ensemble des paramètres les plus fréquents
Outil de mise en service du SmartVFD	<ol style="list-style-type: none"> 1. Les paramètres peuvent être transférés et téléchargés grâce à cet outil. 2. Outil PC facile à utiliser pour mettre en service les convertisseurs SmartVFD. Raccordement à l'aide du HVFDCABLE et de l'adaptateur MCA, (HVFDCDMCAKIT/U), au port USB du PC. Outils PC disponibles en téléchargement gratuit à partir de https://customer.honeywell.com/en-US/support/commercial/software/vfds/Pages/default.aspx 	Copie facile de paramètres d'un convertisseur à un autre. Téléchargement facile d'ensembles de paramètres créés avec l'outil PC Paramétrage avec le PC Enregistrement des paramètres sur le PC Comparaison des réglages des paramètres

Conception compacte et solide avec installation facile

Tableau 18.

Caractéristique	Fonctions	Avantage
Format compact	Un espace libre minimum au-dessus et en dessous du variateur est nécessaire pour la circulation d'air de refroidissement.	Exigences d'espace minimales
Filtres RFI intégrés	Les appareils dont le numéro de pièce comporte le suffixe E2 sont conformes à la catégorie C2 de la norme EN618003 en standard. Il s'agit du niveau requis pour les réseaux électriques publics tels que les immeubles.	Facilité de choix et d'installation des produits.
Température ambiante maximale de + 122 °F (quelques exceptions)	Température ambiante de fonctionnement maximale élevée	Fonctionnement sans coupure
Montage côte à côte avec vis ou rails DIN standard	Les appareils SmartVFD HVAC2 MI1-MI3 peuvent être installés côte à côte sans espace entre eux, soit avec des vis, soit sur rail DIN standard. (Pour MI4-MI5, l'installation côte à côte n'est pas autorisée et il n'y a pas d'option de rail DIN.) Les dimensions pour le montage avec les vis sont indiquées au dos du variateur.	Installation facile Gains de place

Fonctions du fonctionnement sans coupure

Tableau 19.

Caractéristique	Fonctions	Avantage
Système anti-panne de surchauffe	Ajuste automatiquement la fréquence de commutation pour s'adapter à une augmentation inhabituelle de la température ambiante	Fonctionnement sans coupure
Système anti-panne d'alimentation	Réduit automatiquement la vitesse du moteur pour s'adapter à une chute de tension brutale comme une perte de puissance	Fonctionnement sans coupure
Fonction de redémarrage automatique	La fonction de redémarrage automatique peut être configurée pour faire redémarrer le VFD automatiquement dès qu'une défaillance est détectée	Fonctionnement sans coupure

Fonctions de commande du VFD et du moteur

Tableau 20.

Caractéristique	Fonctions	Avantage
Démarrage à la volée	Capacité à maîtriser la vitesse d'un ventilateur déjà en train de tourner	Rendement amélioré Facilité d'application
Régulateur PID intégré	Capacité à connecter directement un système autonome avec capteur au variateur pour une régulation PI complète.	Économie

ACCESSOIRES EN OPTION

Tableau 21.

Numéro de pièce	Description
HVFDCDNEMA1FR1/U	Kit MI1 Nema 1
HVFDCDNEMA1FR2/U	Kit MI2 Nema 1
HVFDCDNEMA1FR3/U	Kit MI3 Nema 1
HVFDCDNEMA1FR4	Kit MI4 Nema 1
HVFDCDNEMA1FR5	Kit MI5 Nema 1
HVFD2DMOUNTKIT/U	Kit de montage de la porte du SmartVFD HVAC2
HVFDCABLE/U	Câble de mise en service du SmartVFD et adaptateur USB
HVFDCDMCA/U	Dispositif de mise en service du Compact
HVFDCDMCAKIT/U	Kit de mise en service du Compact (câble, adaptateur USB et dispositif combinés)

Tableau 22.

Cartes en option (toutes les cartes sont vernies)	
HVFDSDOPT6DI/U	6 x DI/DO, chaque E/S peut être individuelle
HVFDSDOPT2RO1T/U	2 x sorties de relais + Thermistance
HVFDSDOPT1AI2AO/U	1 x AI, 2 x AO (isolées)
HVFDSDOPT3RO/U	3 x sorties de relais
HVFDSDOPT1RO5DI/U	1 x RO, 5 x DI (42-240 VCA)
HVFDOPPTMP	3 x mesures de température (prise en charge pour capteurs PT100, PT1000, NI1000, KTY84-130, KTY84-150, KTY84-131)

Tableau 23.

Structure d'assemblage de la carte en option	
HVFD2DOPTFR123	Kit de montage de la carte en option HVAC2 MI1-MI3
HVFD2DOPTFR45	Kit de montage de la carte en option HVAC2 MI4-MI5

Par l'utilisation de la présente documentation Honeywell, vous consentez à ce qu'Honeywell ne possède aucune responsabilité pour tous dommages résultant de votre utilisation ou modification de la dite documentation. Vous défendrez et indemniserez Honeywell, ses sociétés affiliées, filiales pour et contre toute responsabilité, frais ou dommages, y compris les honoraires d'avocats, résultant de quelque manière, ou survenant en connexion avec toute modification à la documentation de votre part.

Home and Building Technologies

Aux États-Unis :

Honeywell

1985 Douglas Drive North

Golden Valley, MN 55422

customer.honeywell.com

® Marque de commerce déposée aux États-Unis
© 2016 Honeywell International Inc.
31-00109EF-01 M.S. 12-16
Imprimé aux États-Unis

Honeywell