

# SmartVFD Frame 6 Wiring Diagrams and Dimensional Drawings

**SPECIFICATION DATA**

SmartVFD Frame Size 6  
460 Vac: 25-40 HP  
208/230 Vac: 15-20 HP

## CONTENTS

SmartVFD Frame 6 Wiring Diagrams .....	2
Frame 6, Fused Disconnect Wiring Diagrams .....	2
Frame 6, 2 Contactor Wiring Diagrams .....	3
Frame 6, 3 Contactor Wiring Diagrams .....	4
Frame 6, 3 Contactor with Auto-bypass Wiring Diagrams .....	5
SmartVFD Frame 6 Dimensional Diagrams .....	6
Frame 6 NEMA 1: Disconnect Only and 2 Contactor .....	6
Frame 6 NEMA 1: 3 Contactor & 3 Contactor with Auto-bypass .....	7
Frame 6 NEMA 12, Disconnect Only, 2 Contactor, 3 Contactor and 3 Contactor with Auto-Bypass .....	8
Frame 6 NEMA3R, Disconnect Only, 2 Contactor, 3 Contactor and 3 Contactor with Auto-Bypass .....	9



SMARTVFD FRAME 6 WIRING DIAGRAMS AND DIMENSIONAL DRAWINGS

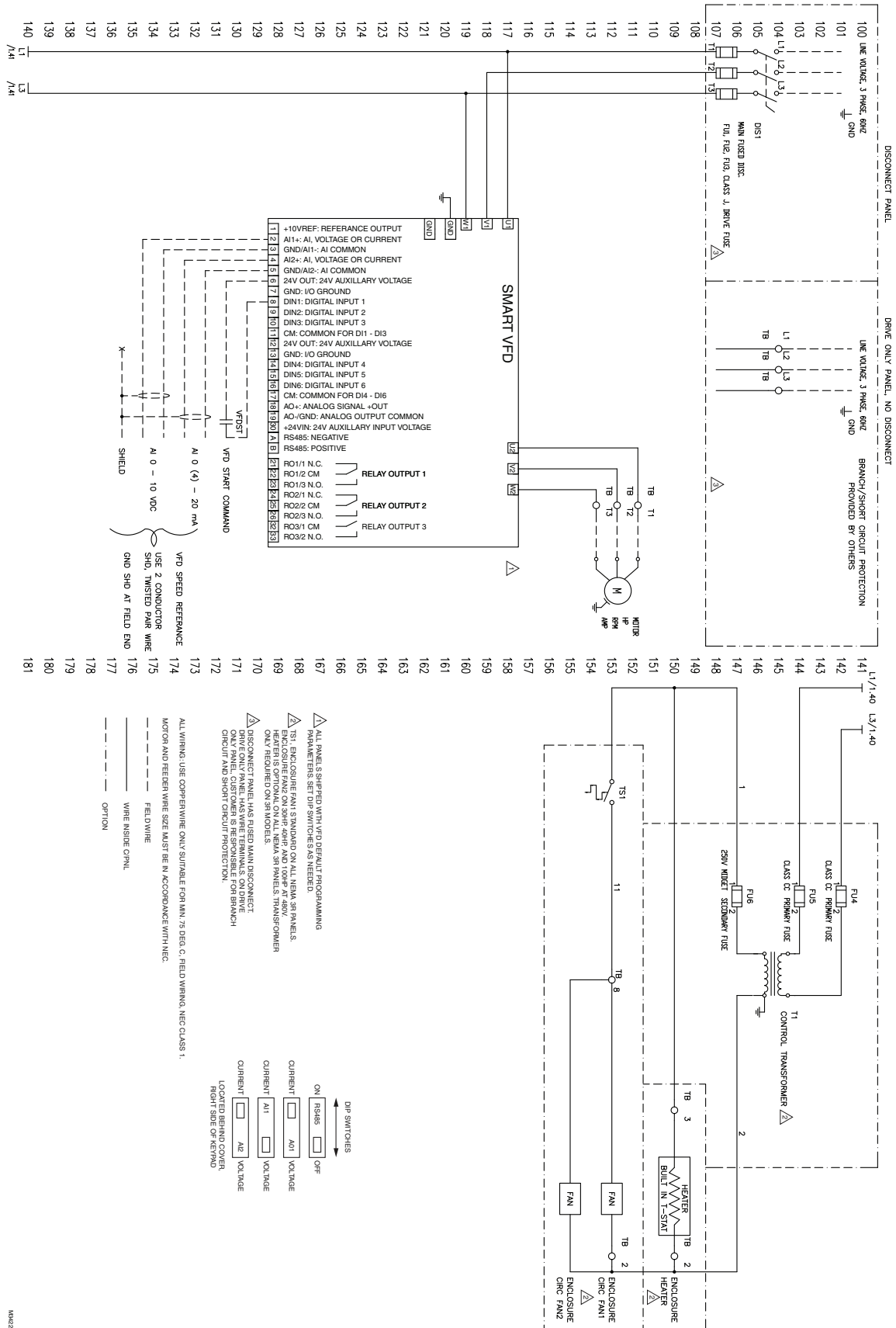


Fig. 1. Frame 6, Fused Disconnect Wiring Diagrams



SMARTVFD FRAME 6 WIRING DIAGRAMS AND DIMENSIONAL DRAWINGS

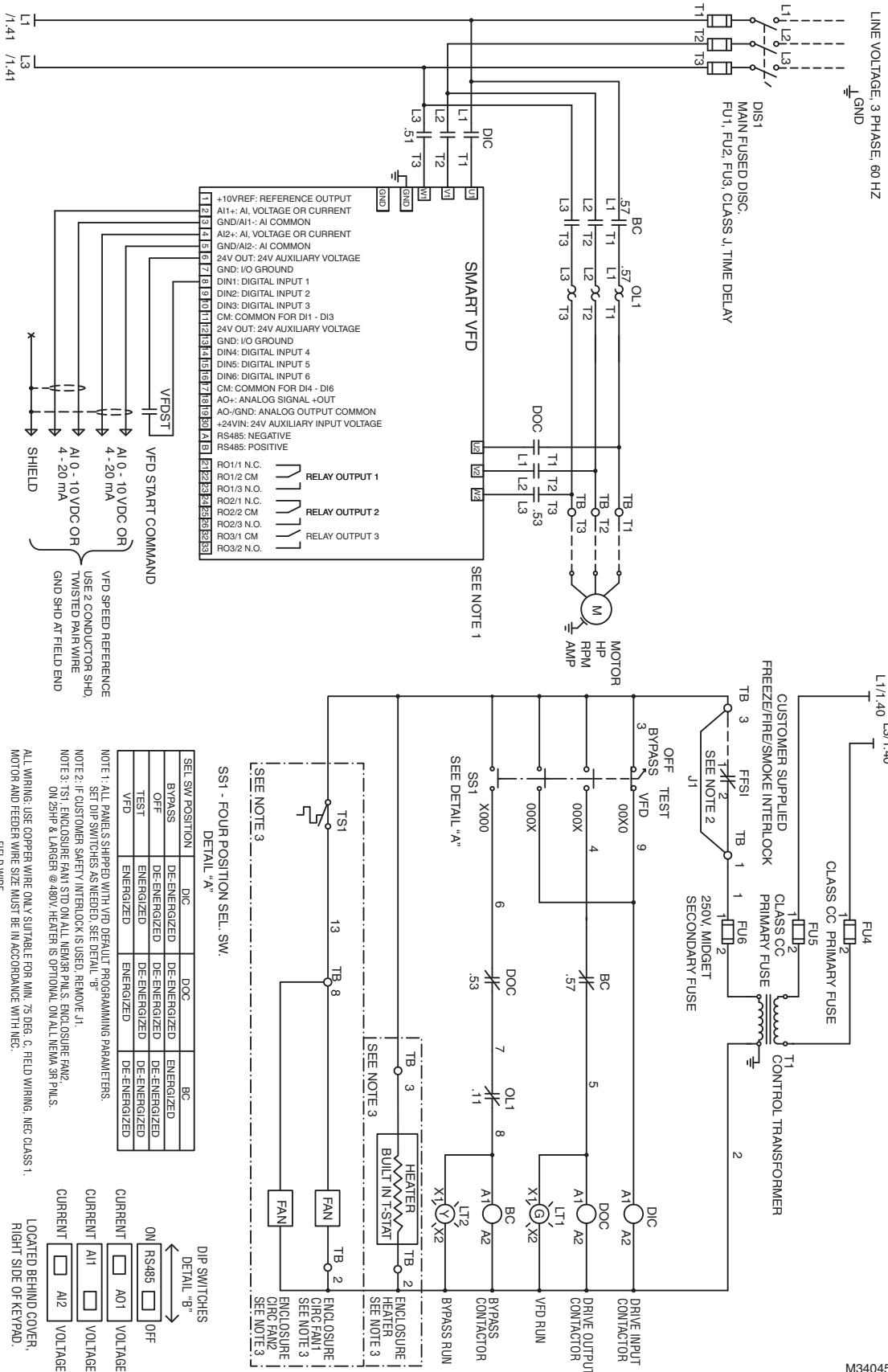
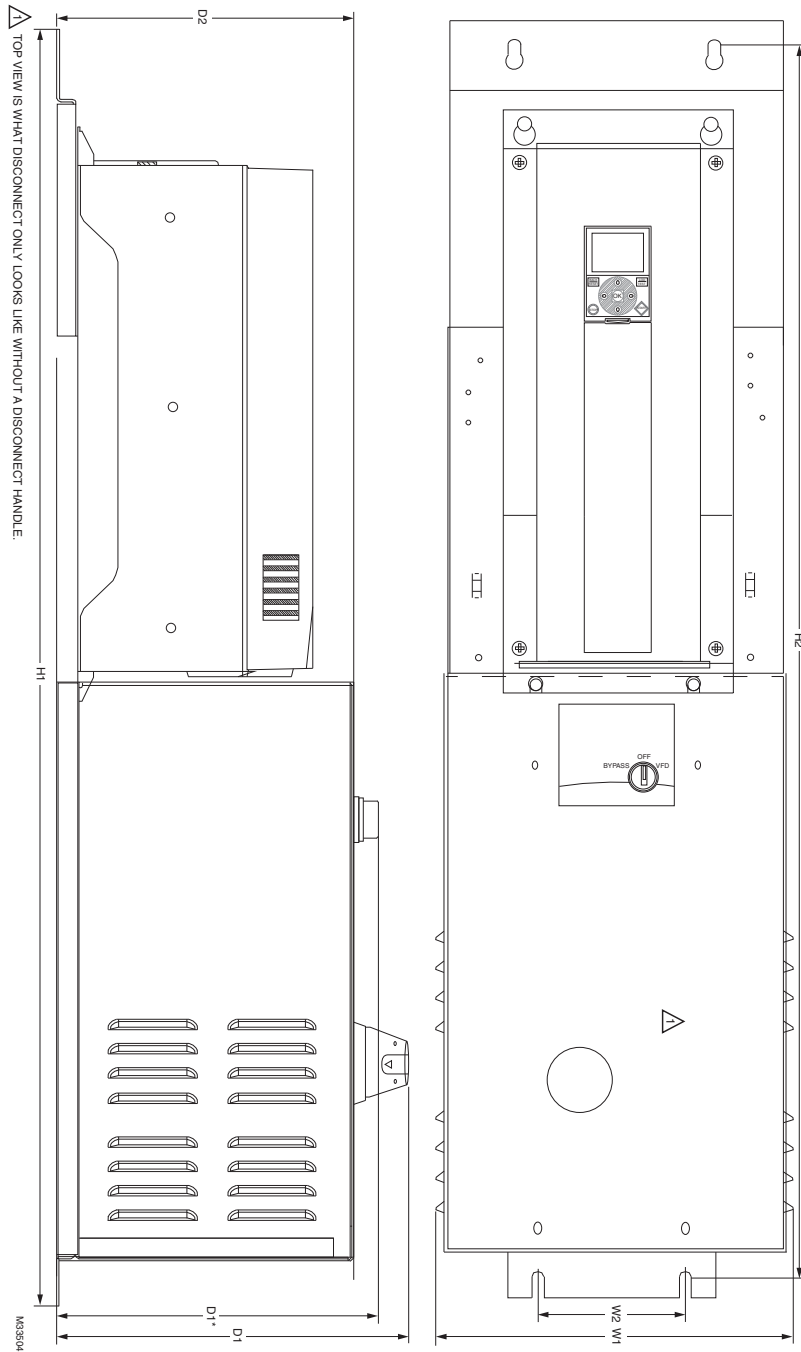


Fig. 3. Frame 6, 3 Contactor Wiring Diagram

M34045

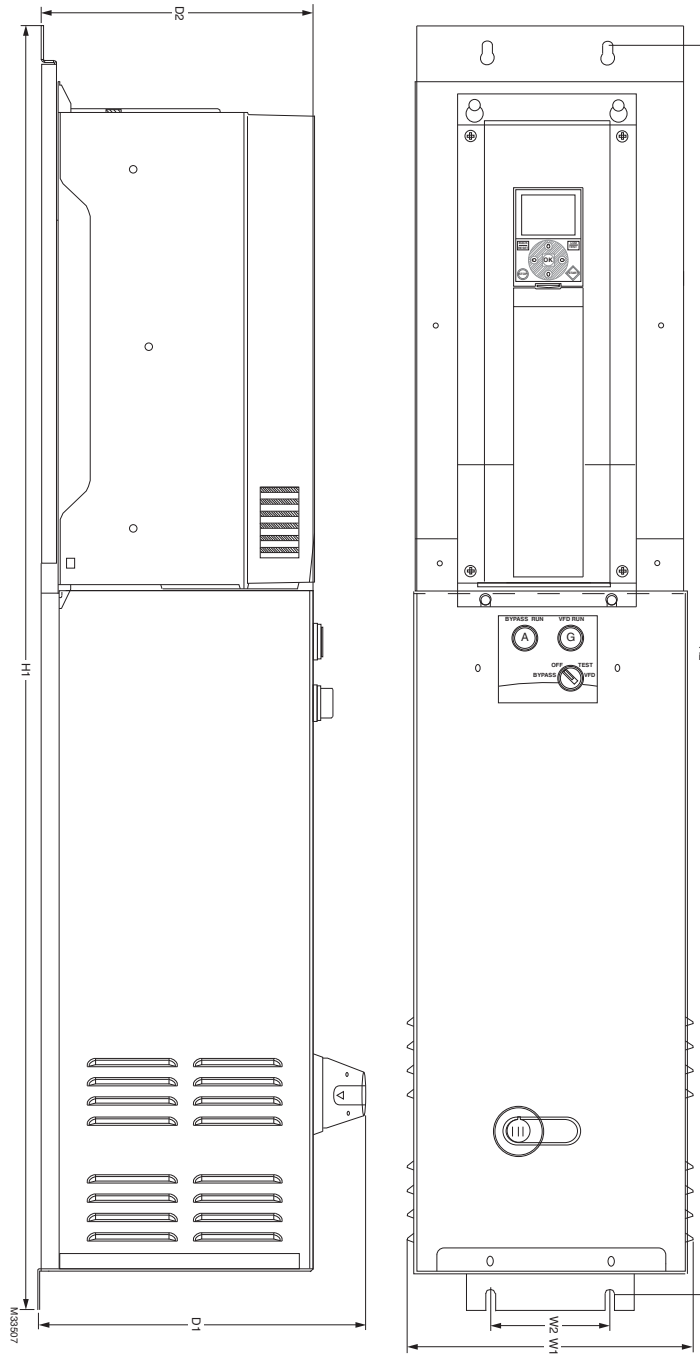


SMARTVFD FRAME 6 WIRING DIAGRAMS AND DIMENSIONAL DRAWINGS



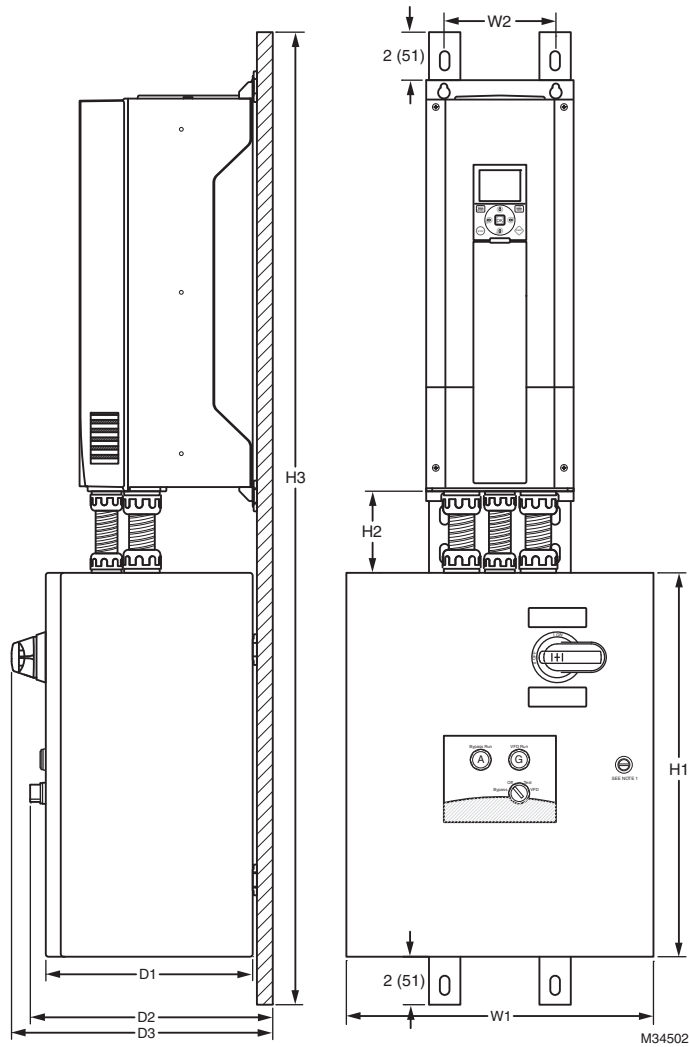
Frame Size	HP and Voltage		Configuration	Dimensions						Weight Lb.
	208/230 Vac	460 Vac		W1	W2	H1	H2	D1	D2	
6		25HP	Disconnect	12.42	4.98	45.17	43.9	11.31	9.57	
* depth of 2 CONT only			2-Contractor	12.42	4.98	45.17	43.9	*10.1	9.57	55
6	15HP	30HP	Disconnect	12.42	4.98	45.17	43.9	11.31	9.57	
			2-Contractor	12.42	4.98	45.17	43.9	*10.1	9.57	59
6	20HP	40HP	Disconnect	12.42	4.98	45.17	43.9	11.31	9.57	
			2-Contractor	12.42	4.98	45.17	43.9	*10.1	9.57	

Fig. 5. Frame 6 NEMA 1: Disconnect only and 2 Contactor Dimensional Drawings.



Frame Size	HP and Voltage		Configuration	Dimensions						Weight Lb.
	208/230 Vac	460 Vac		W1	W2	H1	H2	D1	D2	
6		25HP	3-Contractor	12.42	4.98	55.21	53.99	11.31	9.55	94.5
			3-Contractor with Auto-Bypass	12.42	4.98	55.21	53.99	11.31	9.55	
6	15HP	30HP	3-Contractor	12.42	4.98	55.21	53.99	11.31	9.55	98.5
			3-Contractor with Auto-Bypass	12.42	4.98	55.21	53.99	11.31	9.55	
6	20HP	40HP	3-Contractor	12.42	4.98	55.21	53.99	11.31	9.55	105.5
			3-Contractor with Auto-Bypass	12.42	4.98	55.21	53.99	11.31	9.55	

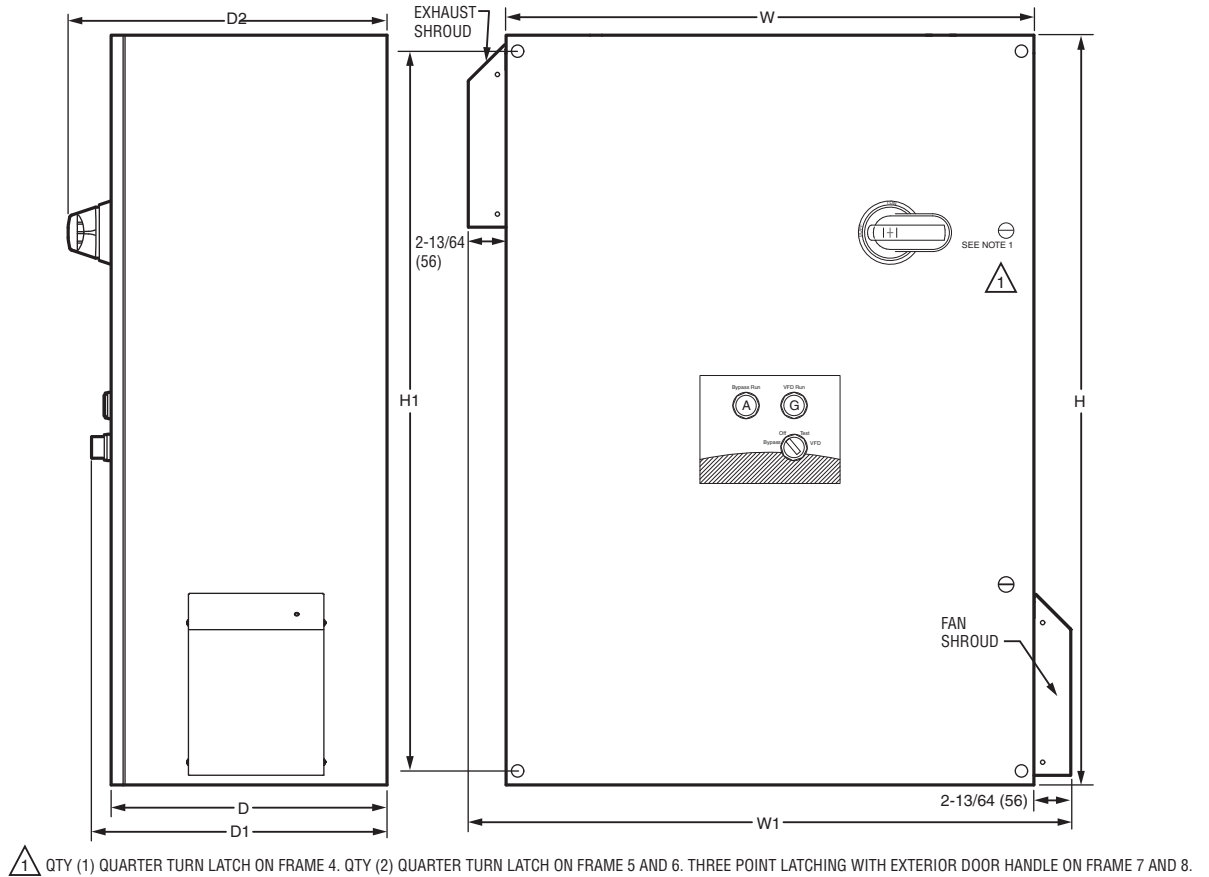
Fig. 6. Frame 6 NEMA 1: 3 Contactor and 3 Contactor with Auto-bypass Dimensional Drawings.



Frame Size	HP and Voltage		Configuration	Dimensions								Weight Lb.
	208/230 Vac	460 Vac		H1	H2	H3	W1	W2	D1	D2*	D3	
6	15HP	25HP	Disconnect Only	16	5	46.5	12	6	10	11.5	13	120
	20HP	30HP					16					120
		40HP					16					136
6		25HP	2-Contactor,	20	5	50.5	16	6	10	11.5	13	120
		30HP	3-Contactor,	20	5	50.5	16	6	10	11.5	13	120
		40HP	3-Contactor with Auto-Bypass	24	5	54.5	20	6	10	11.5	13	136
	15HP		2-Contactor,	20	5	50.5	16	6	10	11.5	13	125
	20HP		3-Contactor, 3-Contactor with Auto-Bypass	24	5	54.5	20	6	10	11.5	13	140

Fig. 7. Frame 6 NEMA 12, Disconnect Only, 2 Contactor, 3 Contactor and 3 Contactor with Auto-Bypass.





M34503

Frame Size	HP and Voltage		Configuration	Dimensions						Weight Lb.
	208/230 Vac	460 Vac		H	H1	W	W1	D	D2	
6	15HP, 20HP	25HP, 30HP, 40HP,	Disconnect Only	36	34.5	24	28.5	10	12	88
			2-Contactor	36	34.5	24	28.5	10	10.5	118
			3-Contactor	36	34.5	30	34.5	10	12	124
			3-Contactor with Auto-Bypass	36	34.5	30	34.5	10	12	124

Fig. 8. Frame 6: NEMA3R: Disconnect Only, 2 Contactor, 3 Contactor and 3 Contactor with Auto-Bypass





By using this Honeywell literature, you agree that Honeywell will have no liability for any damages arising out of your use or modification to, the literature. You will defend and indemnify Honeywell, its affiliates and subsidiaries, from and against any liability, cost, or damages, including attorneys' fees, arising out of, or resulting from, any modification to the literature by you.

**Automation and Control Solutions**

Honeywell International Inc.  
1985 Douglas Drive North  
Golden Valley, MN 55422  
[customer.honeywell.com](http://customer.honeywell.com)

© U.S. Registered Trademark  
© 2013 Honeywell International Inc.  
63-4382—02 M.S. Rev. 03-13  
Printed in United States

**Honeywell**