

SmartVFD Frame 4 Wiring Diagrams and Dimensional Drawings

SPECIFICATION DATA

SmartVFD Frame Size 4

460 Vac: 1.5-7.5 HP

208/230 Vac: 0.75-4 HP

CONTENTS

SmartVFD Frame 4 Wiring Diagrams	2
Frame 4, Fused Disconnect Wiring Diagrams	2
Frame 4, 2 Contactor Wiring Diagrams	3
Frame 4, 3 Contactor Wiring Diagrams	4
Frame 4, 3 Contactor Auto-bypass Wiring Diagrams	5
SmartVFD Frame 4 Dimensional Diagrams	6
Frame 4: NEMA1, Disconnect Only and 2 Contactor	6
Frame 4 NEMA 1, 3 Contactor and 3 Contactors with Auto-Bypass	7
Frame 4 NEMA12, Disconnect Only, 2 Contactor, 3 Contactor and 3 Contactor with Auto-Bypass	8
Frame 4 NEMA3R, Disconnect Only, 2 Contactor, 3 Contactor and 3 Contactor with Auto-Bypass	9



SMARTVFD FRAME 4 WIRING DIAGRAMS AND DIMENSIONAL DRAWINGS

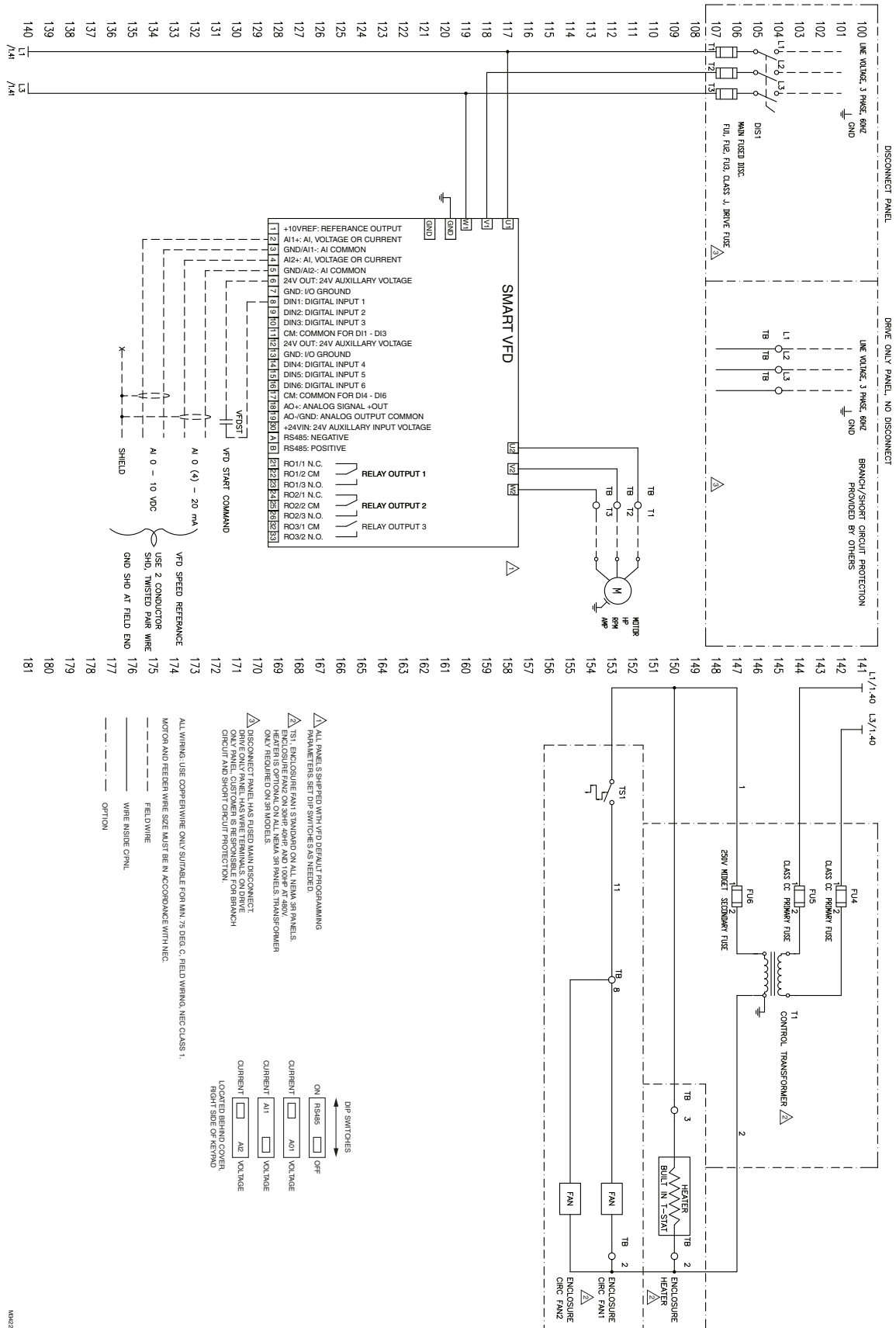
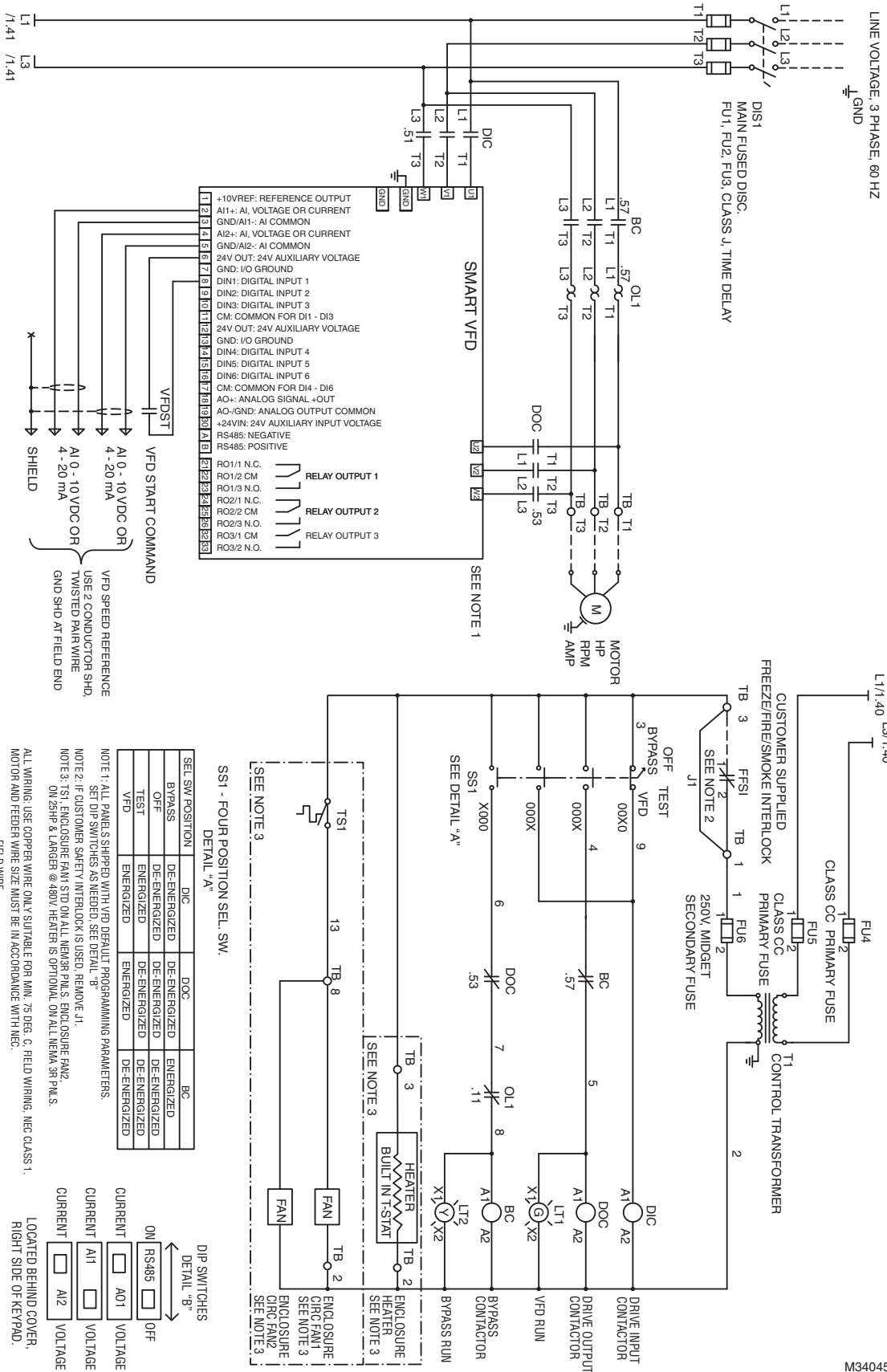


Fig. 1. Frame 4, Fused Disconnect Wiring Diagrams.



M34045

Fig. 3. Frame 4, 3 Contactor Wiring Diagram.

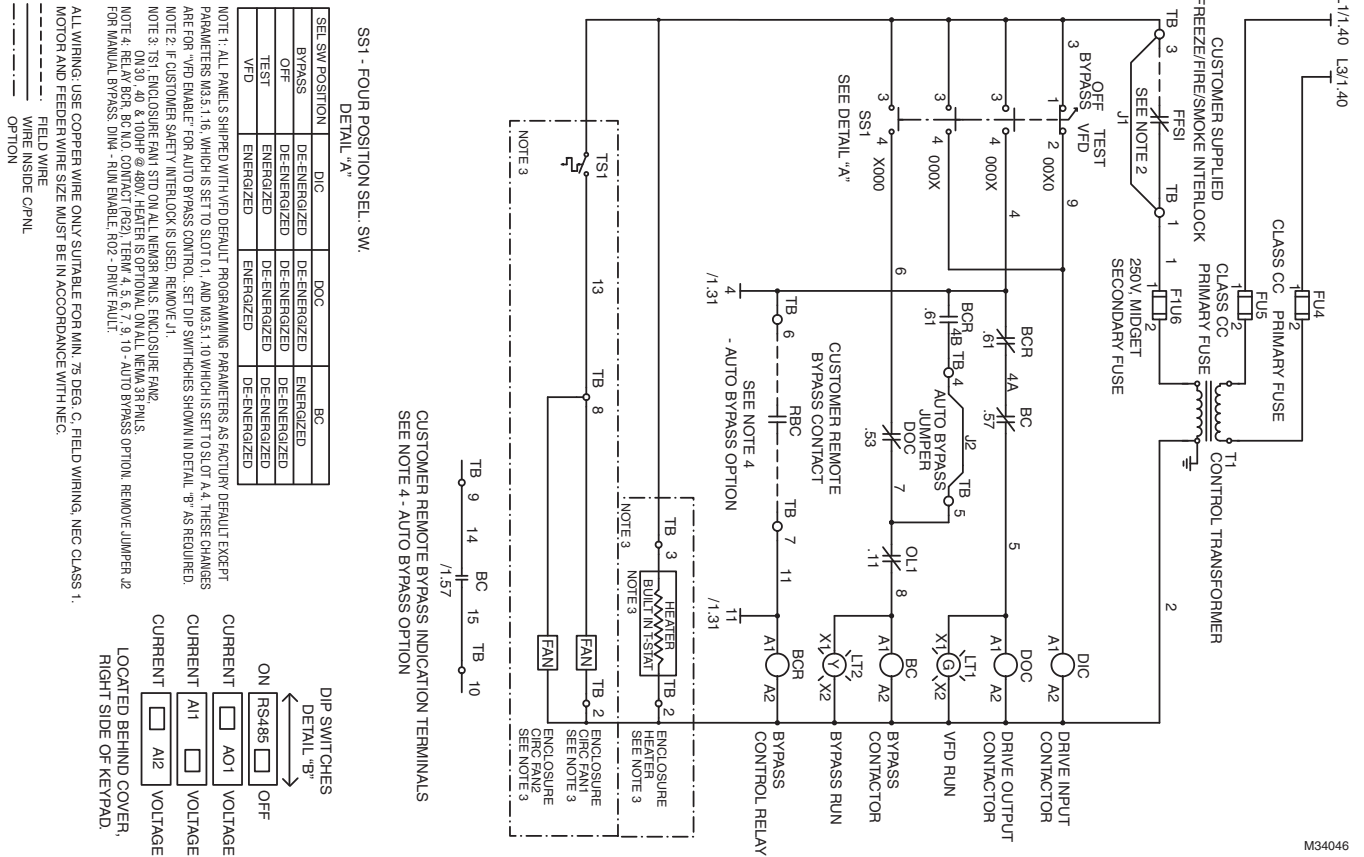
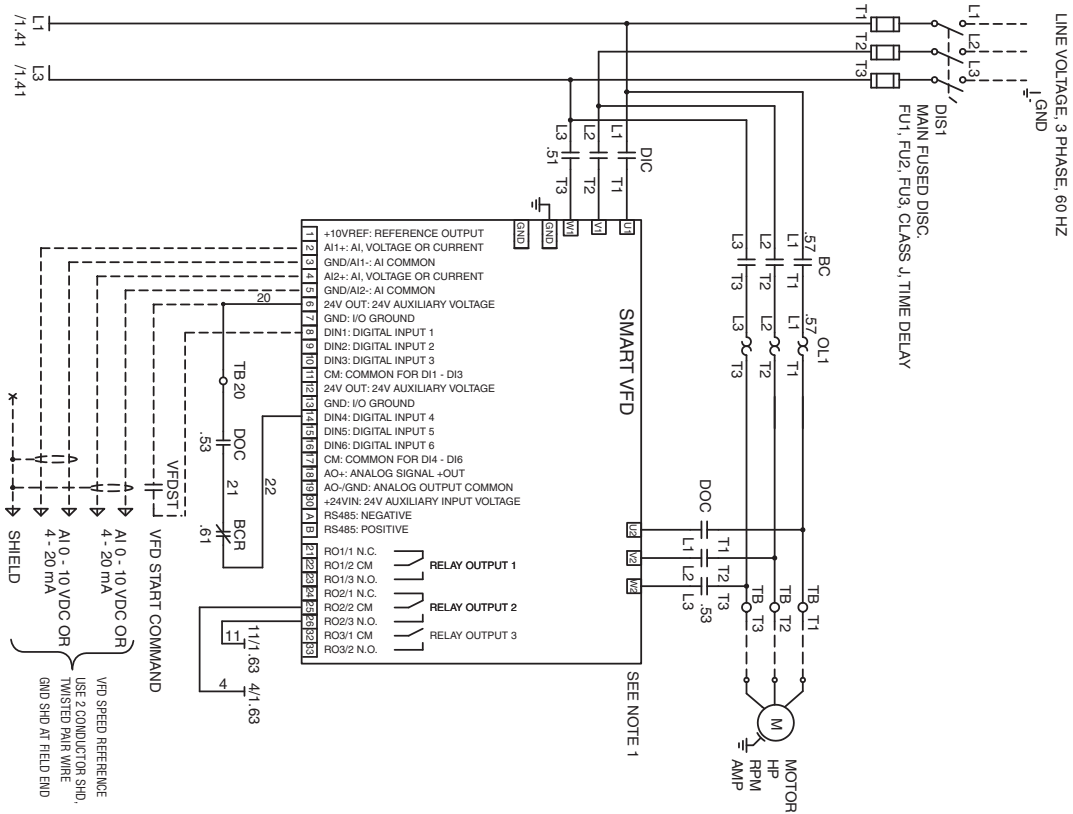
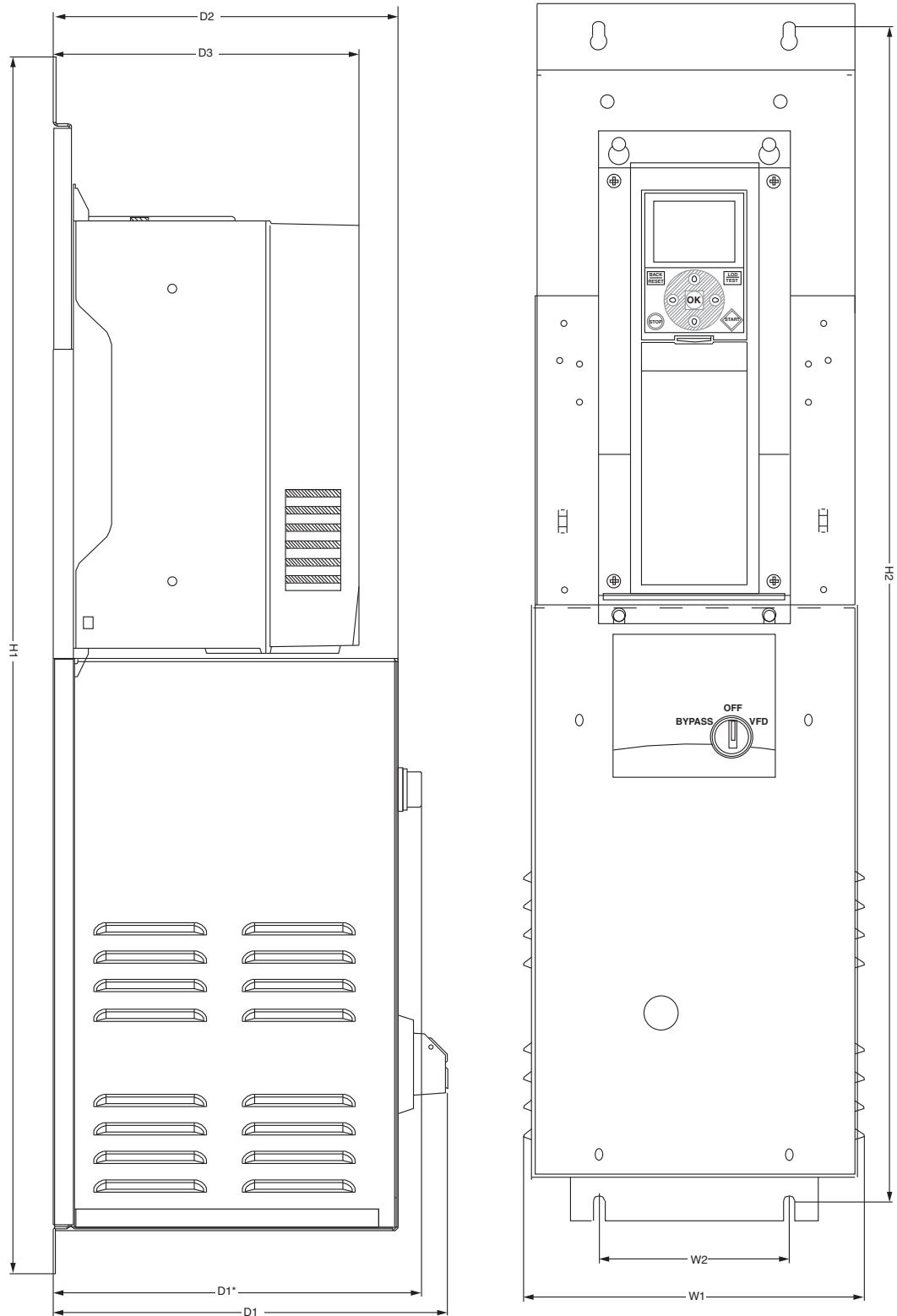


Fig. 4. Frame 4, 3 Contractor Auto-bypass Wiring Diagrams.

SMARTVFD FRAME 4 WIRING DIAGRAMS AND DIMENSIONAL DRAWINGS

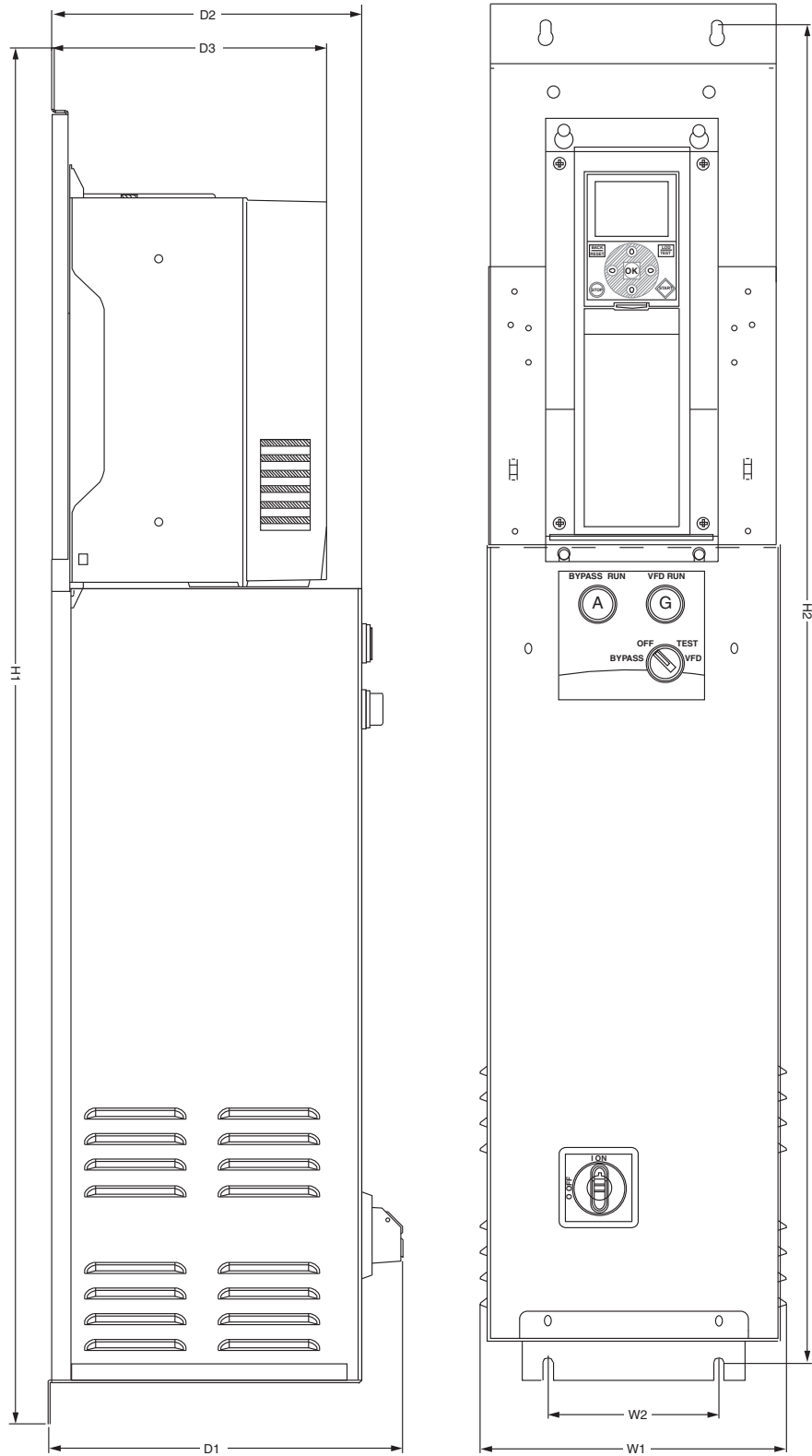


NEMA1 DISCONNECT ONLY AND 2 CONTACTOR

FRAME SIZE	HP AND VOLTAGE		CONFIGURATION	DIMENSIONS							WEIGHT LB.
	208/230 VAC	460 VAC		W1	W2	H1	H2	D1	D2	D3	
4	0.75-3HP	1.5-7.5HP	DISCONNECT	8.92	4.98	31.91	30.8	10.36	9.04	8.01	33
*DEPTH OF 2 CONT ONLY			2-CONTRACTOR	8.92	4.98	31.91	30.8	*9.64	9.04	8.01	38

M31529A

Fig. 5. Frame 4: NEMA1, Disconnect Only and 2 Contactor Dimensional Drawings.



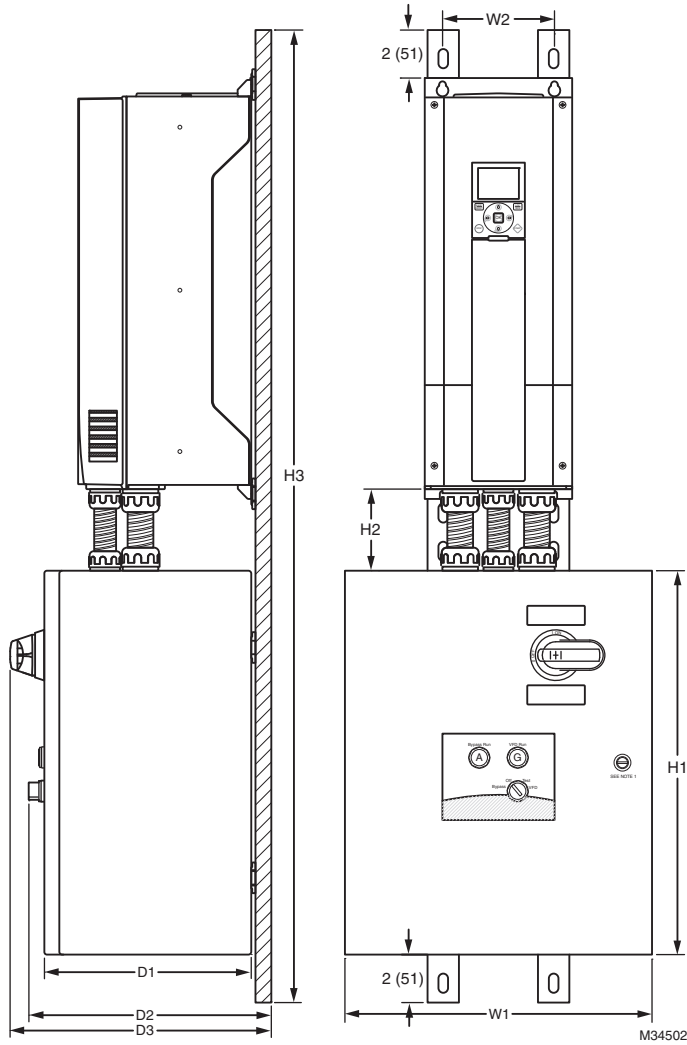
NEMA1 3 CONTACTOR AND 3 CONTACTOR WITH AUTO BYPASS

FRAME SIZE	HP AND VOLTAGE		CONFIGURATION	DIMENSIONS							WEIGHT LB.
	208/230 VAC	460 VAC		W1	W2	H1	H2	D1	D2	D3	
4	0.75-3HP	1.5-7.5HP	3-CONTRACTOR	8.92	4.98	38.91	37.8	10.36	9.04	8.01	44
			3-CONTRACTOR WITH AUTO BYPASS	8.92	4.98	38.91	37.8	10.36	9.04	8.01	46

M31530A

Fig. 6. Frame 4 NEMA 1, 3 Contactor and 3 Contactors with Auto-Bypass Dimensional Drawings.

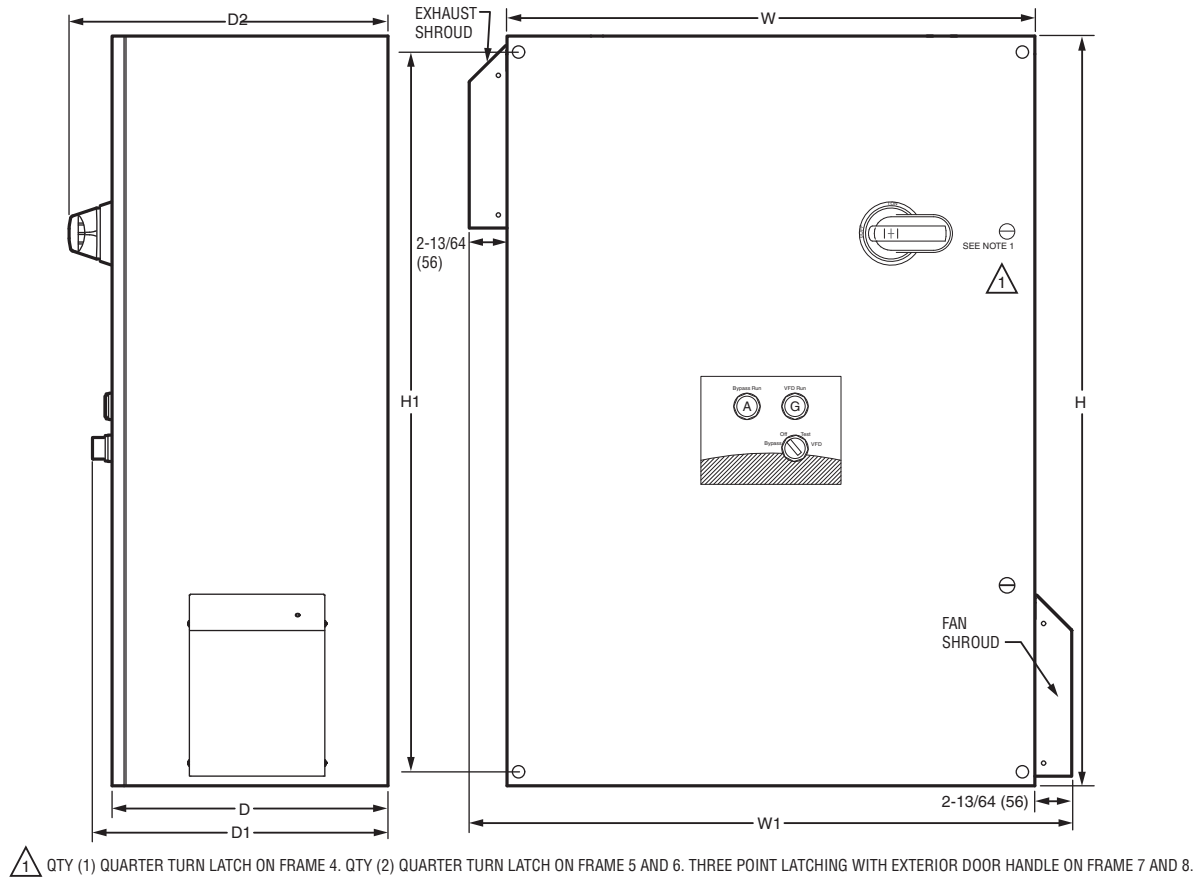
SMARTVFD FRAME 4 WIRING DIAGRAMS AND DIMENSIONAL DRAWINGS



M34502

Frame Size	HP and Voltage		Configuration	Dimensions								Weight Lb.
	208/230 Vac	460 Vac		H1	H2	H3	W1	W2	D1	D2*	D3	
4	0.75HP	1.5HP	Disconnect Only	16	5	37.5	12	4	8		11	40
	1HP	2HP										
	1.5HP	3HP										
	2HP	4HP										
	3HP	5HP										
		7.5HP										
4	0.75HP	1.5HP	2-Contactor 3-Contactor 3-Contactor with Auto-Bypass	16	5	37.5	12	4	8	9.5	11	40
	1HP	2HP										
	1.5HP	3HP										
	2HP	4HP										
	3HP	5HP										
		7.5HP										

Fig. 7. Frame 4 NEMA12, Disconnect Only, 2 Contactor, 3 Contactor and 3 Contactor with Auto-Bypass.



M34503

Frame Size	HP and Voltage		Configuration	Dimensions					Weight	
	208/230 Vac	460 Vac		H	H1	W	W2	D	D2	Lb.
4	0.75HP, 1HP, 1.5HP, 2HP, 3HP	1.5HP, 2HP, 3HP, 4HP, 5HP, 7.5HP	Disconnect Only	20	18.5	16	20.5	10	12	43
			2-Contactor	24	22.5	20	24.5	10	10.5	49
			3-Contactor	24	22.5	20	24.5	10	12	54
			3-Contactor with Auto-Bypass	24	22.5	20	24.5	10	12	54

Fig. 8. Frame 4: NEMA3R, Disconnect Only, 2 Contactor, 3 Contactor and 3 Contactor with Auto-Bypass.

By using this Honeywell literature, you agree that Honeywell will have no liability for any damages arising out of your use or modification to, the literature. You will defend and indemnify Honeywell, its affiliates and subsidiaries, from and against any liability, cost, or damages, including attorneys' fees, arising out of, or resulting from, any modification to the literature by you.

Automation and Control Solutions

Honeywell International Inc.
1985 Douglas Drive North
Golden Valley, MN 55422
customer.honeywell.com

© U.S. Registered Trademark
© 2013 Honeywell International Inc.
63-4379—02 M.S. Rev. 03-13
Printed in United States

Honeywell