

SmartVFD Frame 5 Wiring Diagrams and Dimensional Drawings

SPECIFICATION DATA

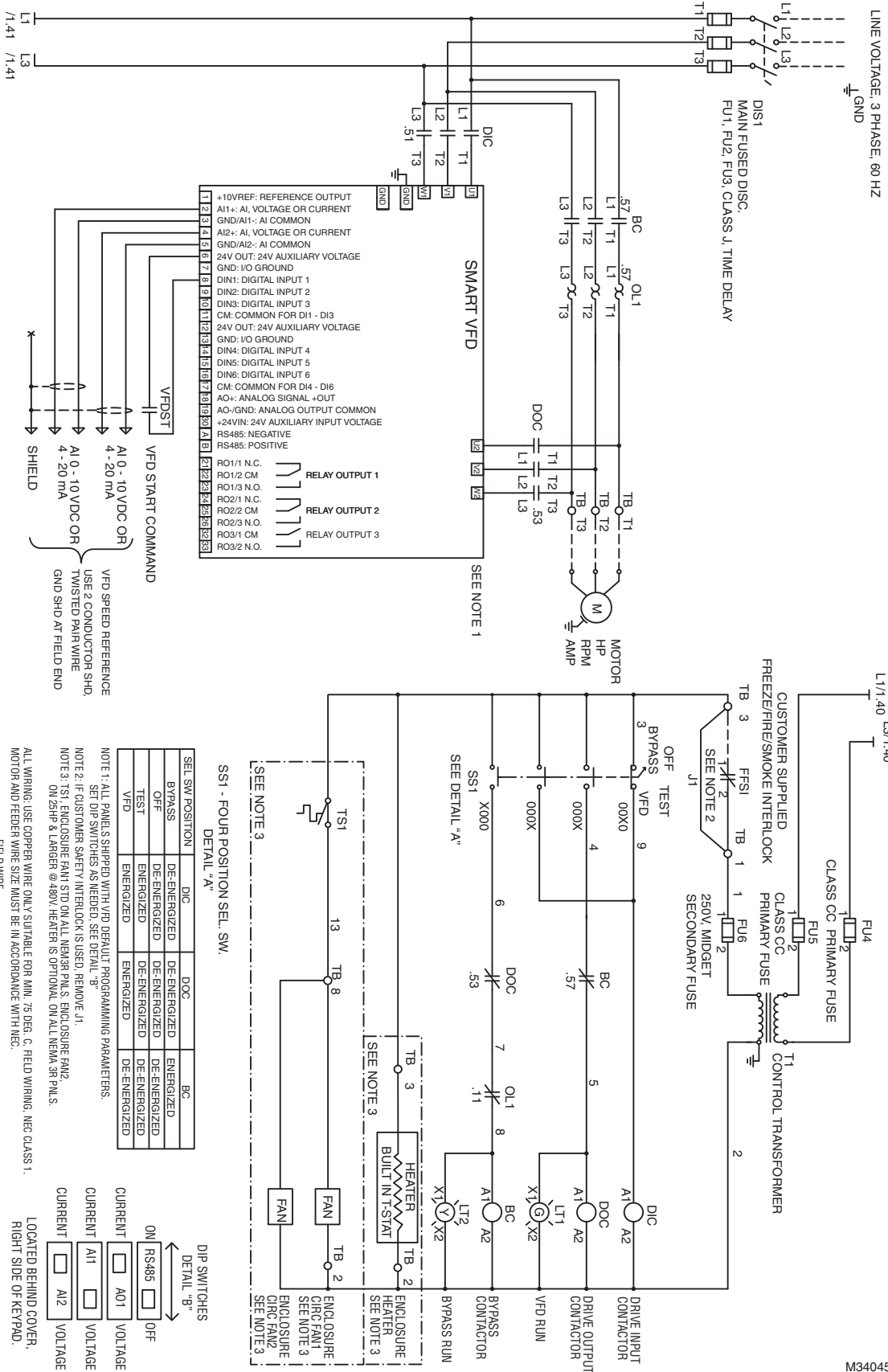
SmartVFD Frame Size 5
460 Vac: 10-20 HP
208/230 Vac: 5-10 HP

CONTENTS

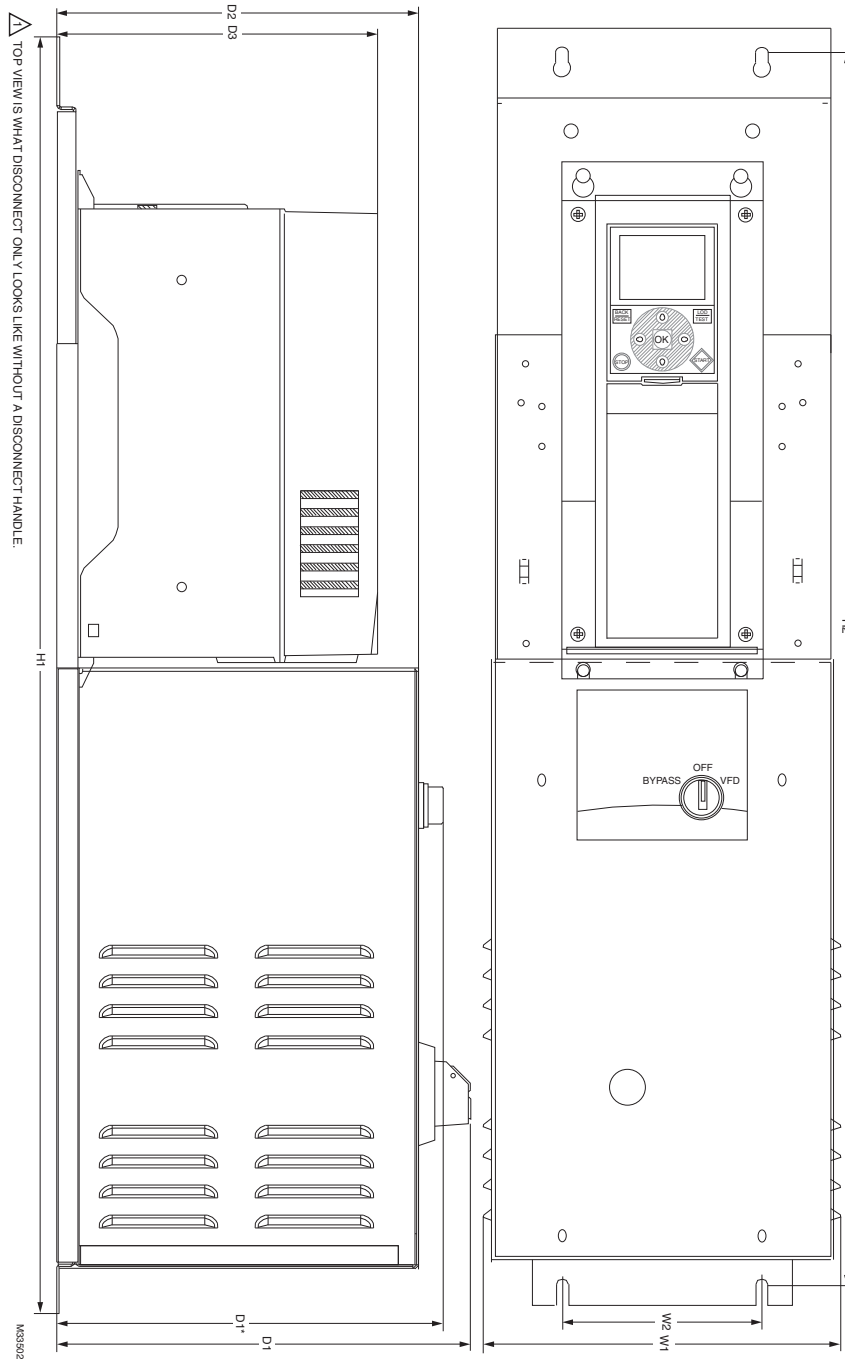
SmartVFD Frame 5 Wiring Diagrams	2
Frame 5, Fused Disconnect Wiring Diagrams	2
Frame 5, 2 Contactor Wiring Diagrams	3
Frame 5, 3 Contactor Wiring Diagrams	4
Frame 5, 3 Contactor with Auto-bypass Wiring Diagrams	5
SmartVFD Frame 5 Dimensional Diagrams	6
Frame 5 NEMA 1: Disconnect Only and 2 Contactor.....	6
Frame 5 NEMA 1: 3 Contactor and 3 Contactor with Auto Bypass	7
Frame 5 NEMA 12, Disconnect Only, 2 Contactor, 3 Contactor and 3 Contactor with Auto-Bypass	8
Frame 5 NEMA3R, Disconnect Only, 2 Contactor, 3 Contactor and 3 Contactor with Auto-Bypass.....	9



SMARTVFD FRAME 5 WIRING DIAGRAMS AND DIMENSIONAL DRAWINGS

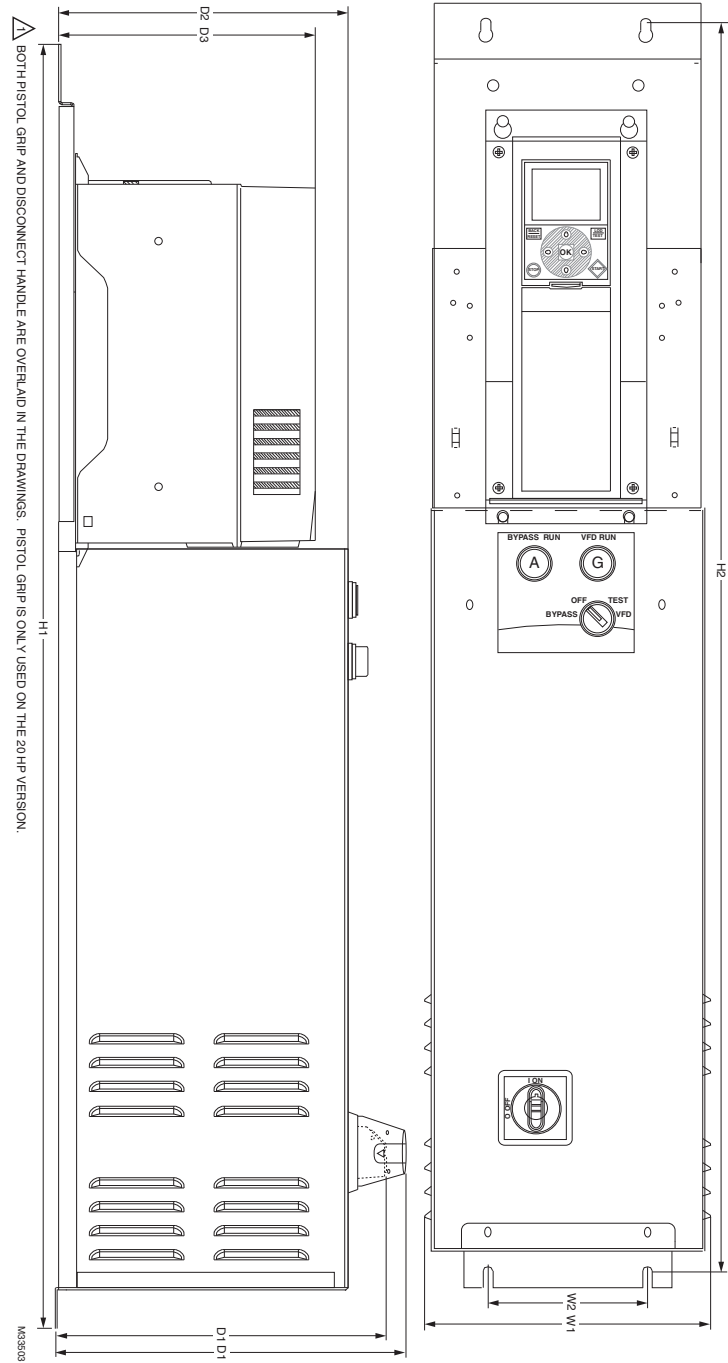


SMARTVFD FRAME 5 WIRING DIAGRAMS AND DIMENSIONAL DRAWINGS



Frame Size	HP and Voltage		Configuration	Dimensions							Weight Lb.
	208/230 Vac	480 Vac		W1	W2	H1	H2	D1	D2	D3	
5	5HP	10HP	Disconnect	8.92	4.98	34.72	33.61	10.36	9.04	8.96	43
* depth of 2 CONT only			2-Contractor	8.92	4.98	34.72	33.61	*9.64	9.04	8.96	48
5	7.5HP	15HP	Disconnect	8.92	4.98	34.72	33.61	10.36	9.04	8.96	
			2-Contractor	8.92	4.98	34.72	33.61	*9.64	9.04	8.96	50
5	10HP	20HP	Disconnect	8.92	4.98	34.72	33.61	10.36	9.04	8.96	
			2-Contractor	8.92	4.98	34.72	33.61	*9.64	9.04	8.96	50

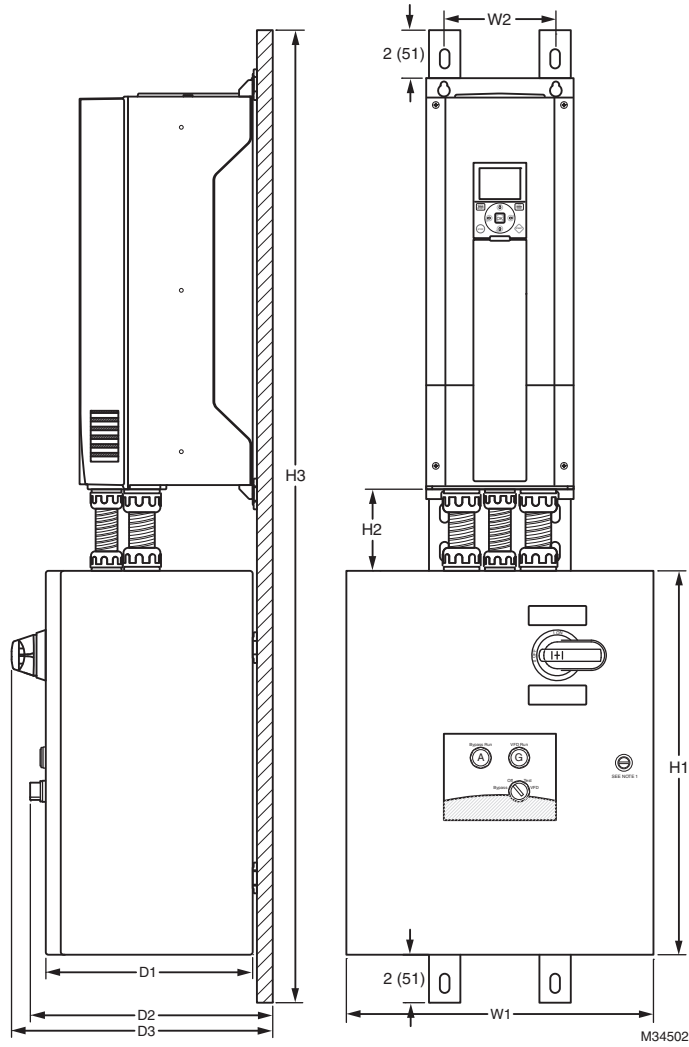
Fig. 5. Frame 5 NEMA 1: Disconnect Only and 2 Contractor.



Frame Size	HP and Voltage		Configuration	Dimensions							Weight Lb.
	208/230 Vac	460 Vac		W1	W2	H1	H2	D1	D2	D3	
5	5HP	10HP	3-Contractor	8.92	4.98	41.72	40.61	10.36	9.04	8.96	55.5
			3-Contractor with Auto-Bypass	8.92	4.98	41.72	40.61	10.36	9.04	8.96	56
5	7.5HP	15HP	3-Contractor	8.92	4.98	41.72	40.61	10.36	9.04	8.96	57
			3-Contractor with Auto-Bypass	8.92	4.98	41.72	40.61	10.36	9.04	8.96	57.5
5	10HP	20HP	3-Contractor	8.92	4.98	41.72	40.61	10.36	9.04	8.96	59.5
			3-Contractor with Auto-Bypass	8.92	4.98	41.72	40.61	10.36	9.04	8.96	60

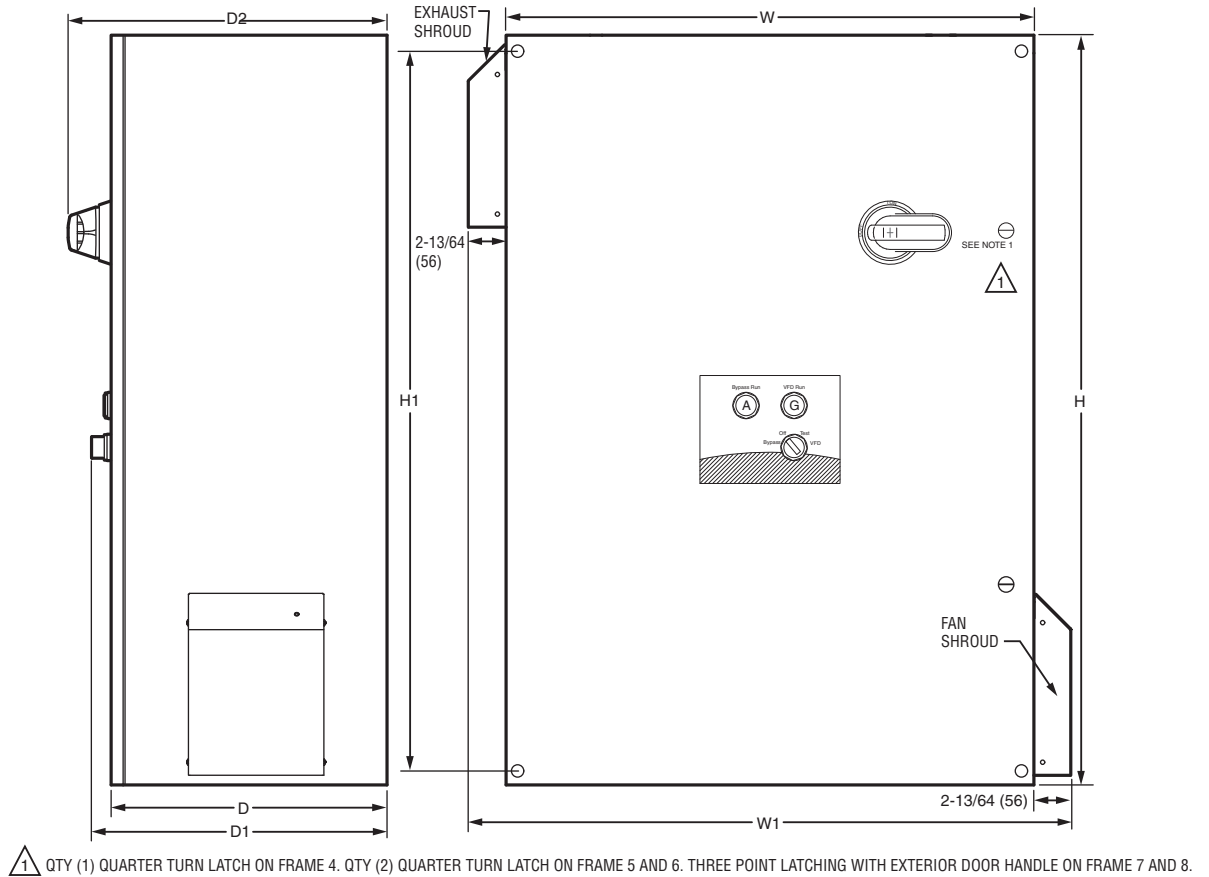
Fig. 6. Frame 5 NEMA 1: 3 Contactor and 3 Contactor with Auto Bypass

SMARTVFD FRAME 5 WIRING DIAGRAMS AND DIMENSIONAL DRAWINGS



Frame Size	HP and Voltage		Configuration	Dimensions								Weight Lb.
	208/230 Vac	460 Vac		H1	H2	H3	W1	W2	D1	D2*	D3	
5	5HP	10HP	Disconnect Only	16	5	41	12	4.5	8		11	72
	7.5HP	15HP										
	10HP	20HP										
5		10HP	2-Contactor	16	5	41	16	4.5	8	9.5	11	64
		15HP	3-Contactor	16	5	41	16	4.5	8	9.5	11	64
		20HP	3-Contactor with Auto-Bypass	20	5	45	16	4.5	8	9.5	11	76
	5HP		2-Contactor	16	5	41	16	4.5	8	9.5	11	70
	7.5HP		3-Contactor	16	5	41	16	4.5	8	9.5	11	70
	10HP		3-Contactor with Auto-Bypass	20	5	45	16	4.5	8	9.5	11	84

Fig. 7. Frame 5 NEMA 12, Disconnect Only, 2 Contactor, 3 Contactor and 3 Contactor with Auto-Bypass.



M34503

Frame Size	HP and Voltage		Configuration	Dimensions						Weight Lb.
	208/230 Vac	460 Vac		H	H1	W	W1	D	D2	
5	5HP, 7.5HP, 10HP,	10HP, 15HP, 20HP,	Disconnect Only	24	22.5	16	20.5	10	12	61
			2-Contactor	24	22.5	20	24.5	10	10.5	72
			3-Contactor	30	28.5	24	24.5	10	12	78
			3-Contactor with Auto-Bypass	30	28.5	24	24.5	10	12	78

Fig. 8. Frame 5 NEMA3R, Disconnect Only, 2 Contactor, 3 Contactor and 3 Contactor with Auto-Bypass.

By using this Honeywell literature, you agree that Honeywell will have no liability for any damages arising out of your use or modification to, the literature. You will defend and indemnify Honeywell, its affiliates and subsidiaries, from and against any liability, cost, or damages, including attorneys' fees, arising out of, or resulting from, any modification to the literature by you.

Automation and Control Solutions

Honeywell International Inc.
1985 Douglas Drive North
Golden Valley, MN 55422
customer.honeywell.com

© U.S. Registered Trademark
© 2013 Honeywell International Inc.
63-4381—02 M.S. Rev. 03-13
Printed in United States

Honeywell