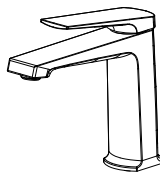
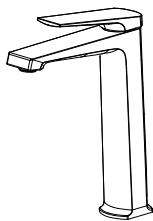


148.5 mm



Installation Instructions and Cautions



Precautions

1. Flush the impurities in the water supply pipeline
2. Check the water supply pipes for damage
3. Working pressure 0.05-1.0Mpa
4. Water temperature 0-90°C, suggest water temperature 0-65°C

Aftercare Instruction

Clean this item with a soft cloth or sponge. The use of any abrasive cleanser may have chemical reaction with the surface and will invalidate the guarantee.

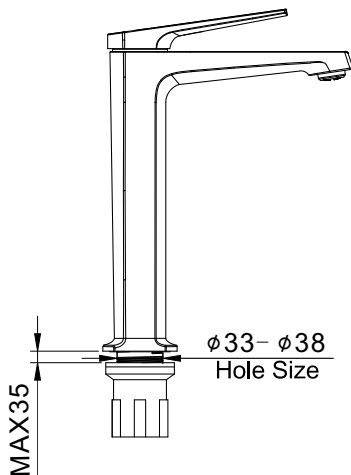
All products must comply with regulations of Local Water Authority as contained in their by-laws.

If the product is not supplied with balanced pressure, the mixer will not function properly.

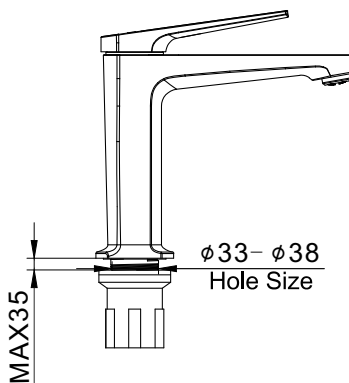
Non-return valves should be fitted on both the hot and cold feeds as close to the tap as possible (non-return valves not provided).

INSTALLATION DIMENSIONS

Tall Mono Mixer



Mono Mixer



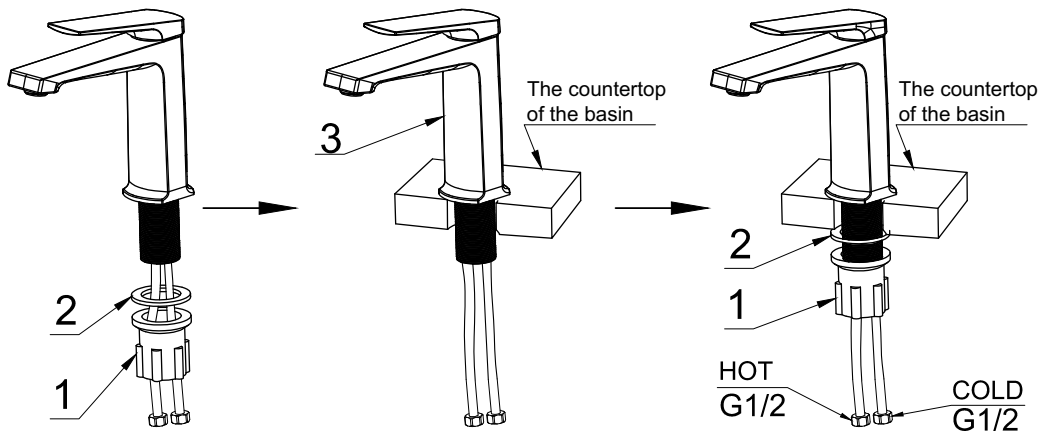
210 mm

Installation Steps

1. Installation of Faucet

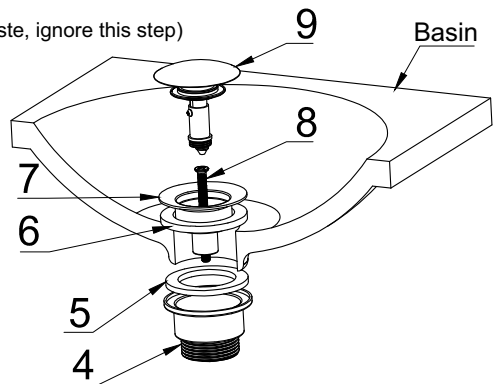
Take off Plastic Nut (no.1) and Rubber Washer(no.2)
Put Faucet Body(no.3) on the hole, then put back Rubber Washer(no.2),
screw on Plastic Nut (no.1) tightly .

**NOTE: left flexible hose connect to Hot water, right flexible
hose connect to Cold water.**



2. Installation of the waste (If supply without waste, ignore this step)

Brass Nut(no.4) and Rubber Washer(no.5) under
the basin.
White Foam Washer(no.6) and
Flange(no.7) above the basin.
Use Phillips screwdriver to screw tightly
Screw(no.8)
Put on Cover(no.9)



3. Post-installation inspection

- Turn on the water supply, check whether there is any leakage in each connection part.
- Use tool (NO.10) to screw out aerator. Turn on the valve allow the water to run for one minute, flush the contaminants in the pipe.
- Turn off the valve, screw back aerator.

