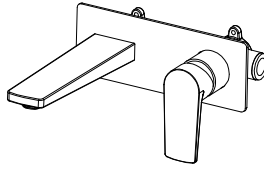


148.50 mm



## Wall Mounted Basin Mixer Installation instructions



### Precautions

1. Flush the impurities in the water supply pipelin
2. Check the water supply pipes for damage
3. Working pressure 0.05-1.0Mpa
4. Water temperature 0-90°C, suggest water temperature 0-65 °C

### Aftercare Instruction

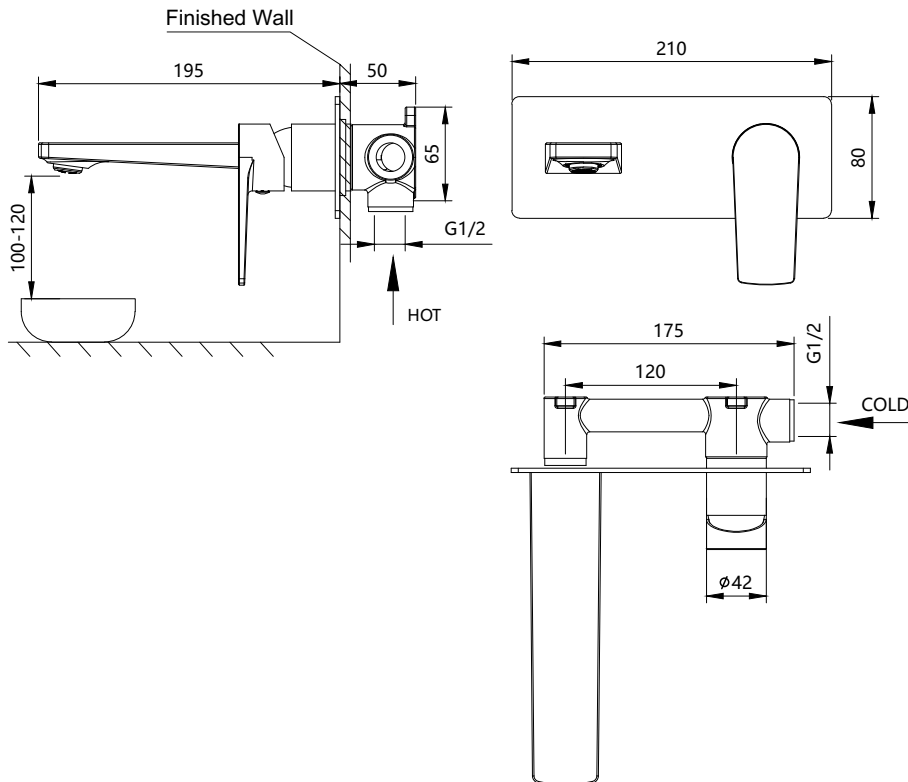
Clean this item with a soft cloth or sponge. The use of any abrasive cleanser may have chemical reaction with the surface and will invalidate the guarantee.

**All products must comply with regulations of Local Water Authority as contained in their by-laws.**

**If the product is not supplied with balanced pressure, the mixer will not function properly.**

**Non-return valves should be fitted on both the hot and cold feeds as close to the tap as possible (non-return valves not provided).**

### INSTALLATION DIMENSIONS



210.00 mm

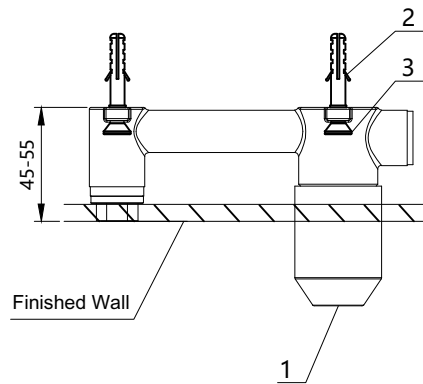
# Installation Steps

## 1. Install Valve

Do not take down Plastic Sleeve(1), avoid surface scratches.

Drill hole on the desired place of wall.(Notice: Make sure the valve body is level and not tilted) knock Expansion Screw(2) into the hole, then tighten Screw(3) to fix valve.

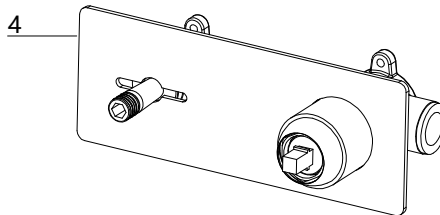
Connect hot and cold inlet pipe to the valve.



**Notice:** After the valve body is installed, turn on water supply switch before the wall decoration and check whether there is leakage in the connection part. If there is no leakage, then decorate the wall.

## 2. Install the panel

Before installing the panel, turn on the water supply first, and check whether there is water leakage at the connection between the valve body and the pipe. After ensuring that there is no leakage, then put the panel (NO.4) on the valve body



## 3. Handle and Spout installation

**Install Handle:** Remove the No.6 from Handle (No.5), then install the handle on the valve body, tighten the screws with wrench (No.7 & No.8)

**Install Spout:** Insert the spout (NO.9) and tighten it with the wrench (No.7 & No.10)

Turn on the water supply, check whether there is any leakage in each connection part. Use tool to screw out aerator (11). Turn on the valve allow the water to run for one minute, flush the contaminants in the pipe. Turn off the valve, screw back aerator.

