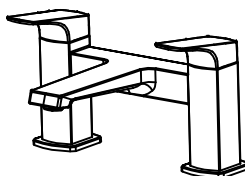


148

Installation instructions and cautions



Cautions

1. Flush the pipes before installation.
2. Check the pipes for breaks.
3. Working pressure 0.05-1.0 MPa.
4. Water supply temperature maximum less than 90°C, suggested temperature less than 65°C.

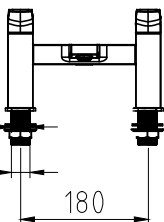
Aftercare & Cleaning Instructions

1. It is recommended to clean with soft cotton cloth or sponge.
2. Do not use any aggressive liquids for cleaning, such as ammonia, decontaminated water, toilet bowl cleaner, etc.
3. Do not use metal or hard cleaning tools such as cleaning balls to wipe the surface of the tap.

Mounting Dimensions

Perforation Range: $\phi 30 - \phi 35$

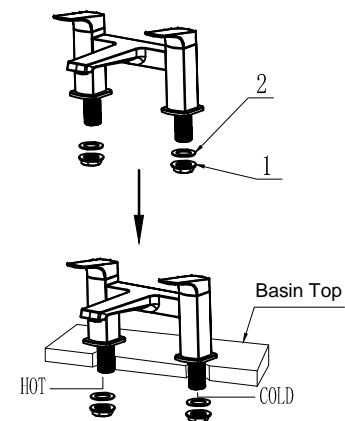
G3/4



Installation Steps

1. Installation of the faucet

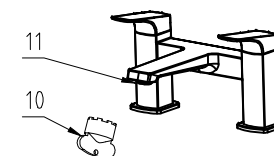
(1) Remove the Nut (NO.1) and Rubber Washer (NO.2) from the basin faucet. Put the faucet through the mounting hole, then install the Nut (NO.1) and Rubber Washer (NO.2), tighten the Nut (NO.1) by wrench.



(2) After fixing the basin faucet, connect hot inlet pipe to the left of faucet, and connect cold inlet pipe to the right of faucet.

2. Post-installation Inspection

(1) Turn on the water supply valve and check whether there is any leakage in each connection part.
 (2) Use tool (NO.10) to screw out aerator (NO.11), turn on the water supply and allow the water run one minute, then turn off water supply and screw back aerator (NO.11).



210