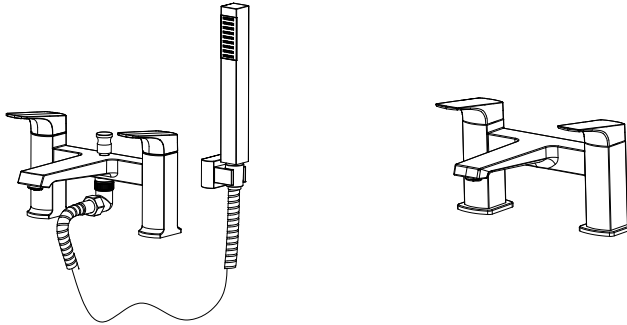


148.5 mm



Installation instructions and cautions



Cautions

1. Flush the pipes before installation.
2. Check the pipes for breaks.
3. Working pressure 0.05-1.0 MPa.
4. Water supply temperature maximum less than 90°C, suggested temperature less than 65°C.

Aftercare & Cleaning Instructions

1. It is recommended to clean with soft cotton cloth or sponge.
2. Do not use any aggressive liquids for cleaning, such as ammonia, decontaminated water, toilet bowl cleaner, etc.
3. Do not use metal or hard cleaning tools such as cleaning balls to wipe the surface of the tap.

All products must comply with regulations of Local Water Authority as contained in their by-laws.

If the product is not supplied with balanced pressure, the mixer will not function properly.

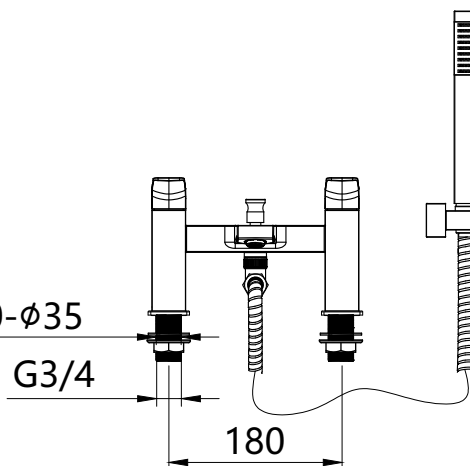
Non-return valves should be fitted on both the hot and cold feeds as close to the tap as possible (non-return valves not provided).

Mounting Dimensions

Perforation Range: $\phi 30-\phi 35$

G3/4

180



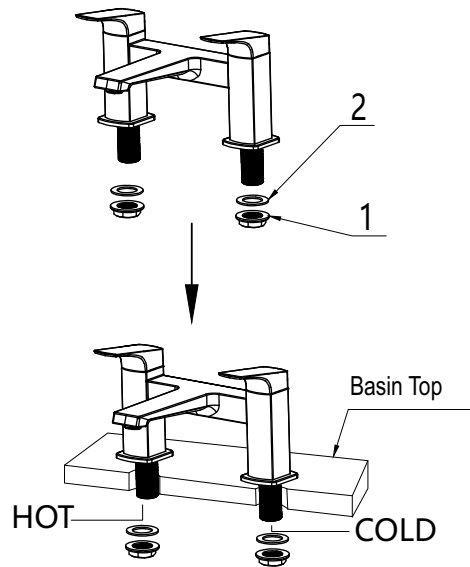
210.00 mm

Installation Steps

1. Installation of the faucet

(1) Remove the Nut (NO.1) and Rubber Washer (NO.2) from the basin faucet. Put the faucet through the mounting hole, then install the Nut (NO.1) and Rubber Washer (NO.2), tighten the Nut (NO.1) by wrench.

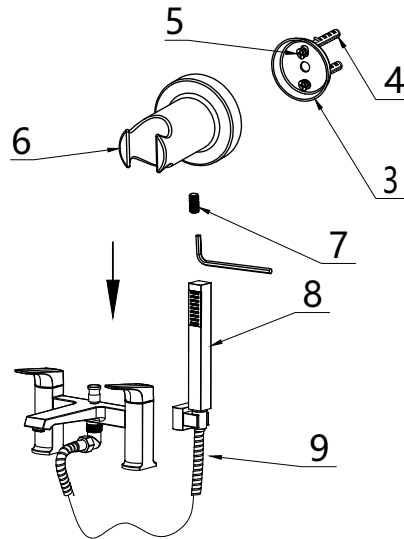
(2) After fixing the basin faucet, connect hot inlet pipe to the left of faucet, and connect cold inlet pipe to the right of faucet.



2. Installation of the Handset

(Bath Filler Ignore This Step)

- (1) Per to holes of fixing part (NO.3), drill two $\phi 5$ holes on the wall. Knock in Raw plug (NO.4), and tighten screw Screw (NO.5).
- (2) Attach Bracket (NO.6) to the fixing part (NO.3), use Allan Key to tighten screw Grub Screw (NO.7).
- (3) Connect Shower Hose (NO.9) to Handset and faucet.



3. Post-installation Inspection

- (1) Turn on the water supply valve and check whether there is any leakage in each connection part.
- (2) Use tool (NO.10) to screw out aerator (NO.11), turn on the water supply and allow the water run one minute, then turn off water supply and screw back aerator (NO.11).

