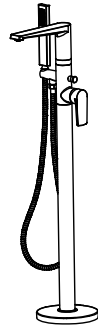


297.00 mm



## Installation Instructions and Cautions



### Cautions

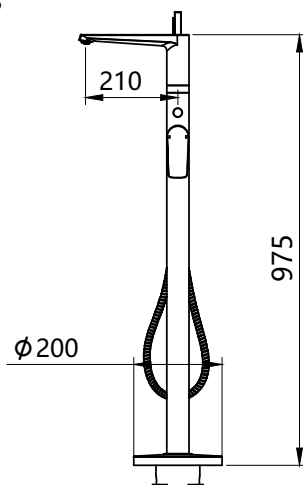
1. Flush the pipes before installation.
2. Check the pipes for breaks.
3. Working pressure 0.05-1.0 MPa.
4. Water supply temperature maximum less than 90°C, suggested temperature less than 65°C.

### Aftercare & Cleaning Instructions

1. It is recommended to clean with soft cotton cloth or sponge.
2. Do not use any aggressive liquids for cleaning, such as ammonia, decontaminated water, toilet bowl cleaner, etc.
3. Do not use metal or hard cleaning tools such as cleaning balls to wipe the surface of the tap.

**All products must comply with regulations of Local Water Authority as contained in their by-laws.**  
**If the product is not supplied with balanced pressure, the mixer will not function properly.**  
**Non-return valves should be fitted on both the hot and cold feeds as close to the tap as possible (non-return valves not provided).**

### Mounting Dimensions

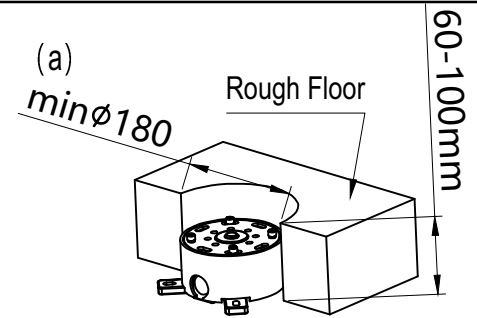


## Installation Steps

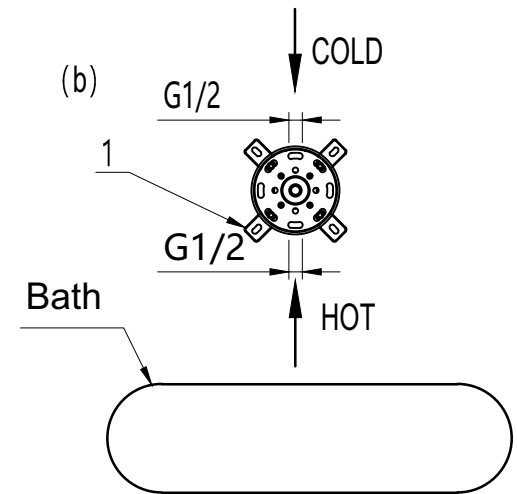
### 1. Installation of the Embedded box

(a) Hole dimension on the rough floor: depth is 60-100mm, suggest 80mm; diameter is more than 180mm.

Hole dimension on the tile or wood floor: diameter is 120-180mm.



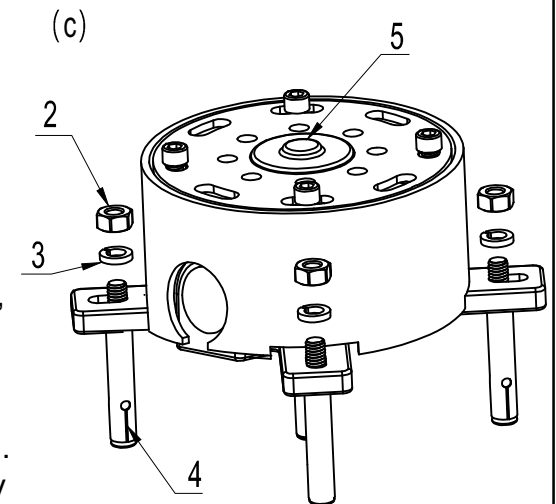
(b) The install direction of the embedded box according to Fig.b, water inlet direction of the valve body should perpendicular to the bathtub.



(c) Mark the position of the four mounting holes, then drill four  $\phi 8$  holes in the ground.

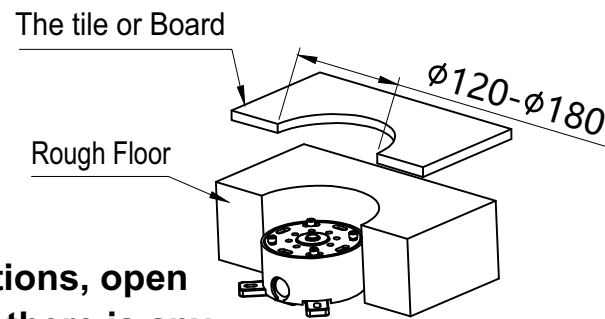
Hammer the four expansion screws into the ground through the mounting holes. (Remove the metal gaskets(NO.3) and nuts(NO.2) from the expansion screws(NO.4) before hammer).

After the installation of the expansion screws, put gaskets and nuts back on, noting that the gradienter (NO.5) on the embedded box remains in a horizontal position, tighten the nuts(NO.2) to lock the embedded box. Connect the hot and cold water supply pipes to both sides of the embedded box.



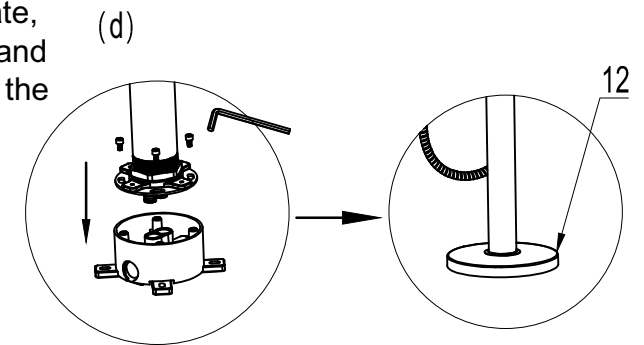
210.00 mm

(d) After the embedded box is installed, decorate the floor with tile or board, the opening diameter of the hole is between 120-180mm.



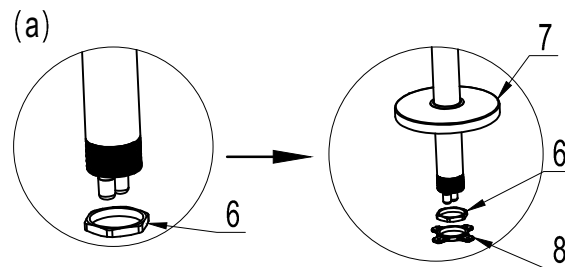
**NOTE:** Before the decorations, open the water supply to check if there is any leakage, confirm that there are no leaks before decorating the floor.

(d) After installing the fixing plate, confirm the position of the hot and cold water inlet joint and insert the joints into the embedded box. Secure the tap by locking the screws with a Allan key, then decorate it with flange(NO.12).

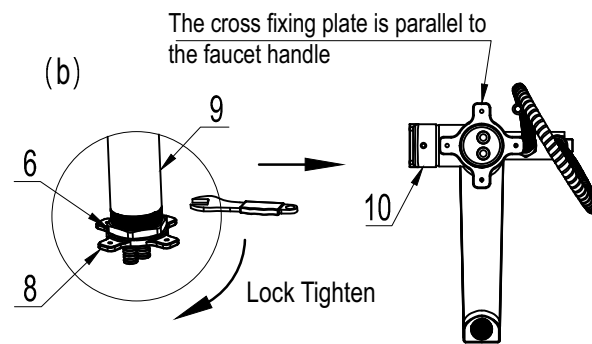


## 2. Installation of the tap

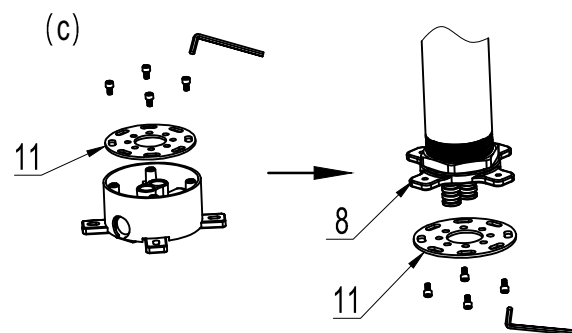
(a) Remove the nuts(NO.6) from the tap, and install them as the order of flange(NO.7), nut(NO.6) and cross fixing plate(NO.8) on the tap.



(b) Install the cross fixing plate with the tap, keep the cross fixing plate(NO.8) parallel to the shower handle(NO.10), then install the nuts into the cross fixing plate, tighten the nuts to lock the fixing plate.

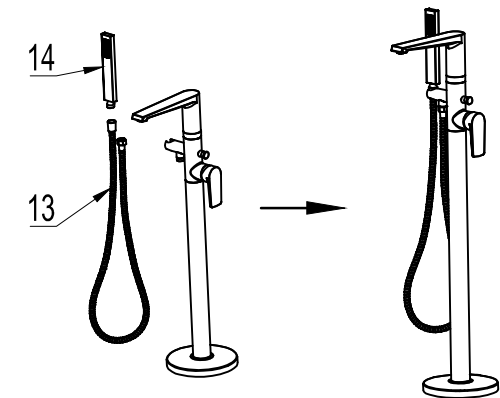


(c) Remove the round fixing plate(NO.11) from the embedded box, attach the round fixing plate(NO.11) to the cross fixing plate(NO.8) on the end pipe of the tap, and tighten the screws.



## 3. Installation of the shower handset

Connect one end of the pipe(NO.13) with side outlet of the tap, the other end of the pipe connect to the shower handset(NO.14), then put shower handset on the holder.



## 4. Post-installation inspection

(a) Turn on the water supply, check whether there is any leakage in each connection part.  
 (b) Use tool (NO.15) to screw out aerator. Turn on the valve allow the water to run for one minute, flush the contaminants in the pipe.  
 (c) Turn off the valve, screw back aerator.

