



# 1900 Series Pump | Submittal Data

Submittal No: 301-242 | Model: 1911 | RPM: 1760 | Effective: January 14, 2022 | Supersedes: January 27, 2020

JOB: \_\_\_\_\_

REPRESENTATIVE: \_\_\_\_\_

ENGINEER: \_\_\_\_\_

CONTRACTOR: \_\_\_\_\_

## PRODUCT DATA

ITEM NO. \_\_\_\_\_ MODEL NO. 1911

IMPELLER DIAMETER \_\_\_\_\_ HORSEPOWER \_\_\_\_\_

GPM \_\_\_\_\_ RPM 1760 VOLTAGE \_\_\_\_\_

HEAD/FT \_\_\_\_\_ VFD MODEL NO. \_\_\_\_\_

WEIGHT \_\_\_\_\_ OPTION CARD \_\_\_\_\_

NSF 61 CERTIFIED YES NO

## DIMENSIONS

Model No. | 1911

Flange Size (Suction x Discharge) | 1 1/2 (38)

HORSEPOWER (KW)	1/4* (0.19)	1/3* (0.25)	0.5 (0.37)	0.75 (0.56)	1 (0.75)
PUMP WEIGHT LBS (KG)	60 (27)	62 (28)	65 (29)	78 (35)	
VDF BRACKET WEIGHT LBS (KG)	10 (5)				
A	3.00 (76)				
B	14.00 (356)		15.0 (381)		
C	10.25 (260)				
D	12.88 (327)				
E	14.80 (376)				
F	21.24 (539)				
G	4.52 (115)				
H	8.38 (213)				
J	5.00 (127)				
K	4.25 (108)				

\*Please note that integral VFD models are not available in 1/4 HP or 1/3 HP.

English dimensions are in inches. Metric dimensions are in millimeters. Metric data is presented in ( ). Do not use for construction purposes unless certified.

Pump Turn Down Ratio = 4:1  
Recommended Minimum Drive Frequency = 15 Hz

For VFD drive specifications, weights, and options, see the following Taco VFD Submittal Data sheets:  
ATV12 – Taco Submittal No. 301-1891  
ATV212 – Taco Submittal No. 301-1890  
ATV312 – Taco Submittal No. 301-1897

Configuration	DOE Basic Model Number	PEI Value		Energy Rating
		PEI <sub>d</sub>	N/A	
Bare Pump	N/A	PEI <sub>d</sub>	N/A	N/A
Pump + Motor	N/A	PEI <sub>d</sub>	N/A	N/A
Pump + Motor + Drive	N/A	PEI <sub>v</sub>	N/A	N/A

N/A=NOT WITHIN DOE SCOPE

## SPECIFICATIONS

### MOTORS

1760 RPM, Three Phase 208/230/460V, 60 Hz, Nema 56 C Frame Motors. Also available in Single Phase 115/208/230V. Motors are sealed ball bearing design, and require no maintenance.

### BODY

Cast iron with in-line flanged connections. Also available in optional all Stainless Steel (304). Companion flanges included with the pump. NSF61 All-SS models are also available.

### IMPELLER

One Piece Cast Stainless Steel (304), Closed, Dynamically Balanced Impeller.

### DRIVE

Close Coupled Direct Driven Pump.

### SHAFT

416 Stainless Steel Shaft.

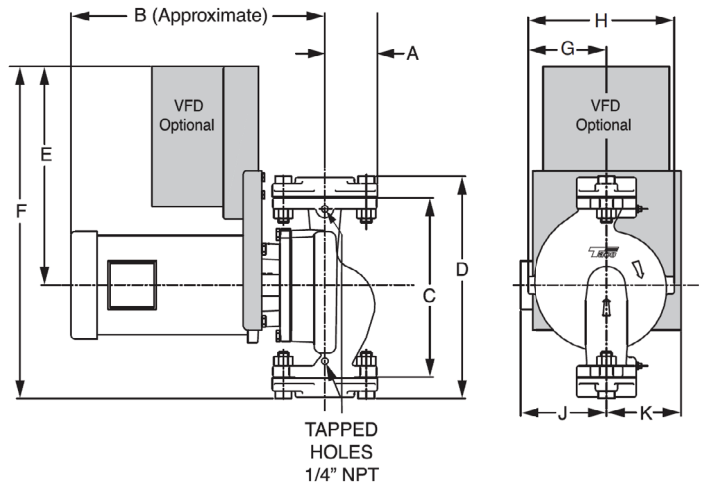
### MECHANICAL SEAL

J. Crane Type 21 with carbon rotating element and ceramic stationary seat, with a maximum operating temperature of 250° F (121° C) furnished as standard. Optional "Sealide C" with silicon carbide rotating element and silicon carbide stationary seat is also available for systems with aggressive/glycol fluids, with a maximum operating temperature of 300° F (149° C).

### WORKING PRESSURE

175 PSI (1207 kPa) in accordance with ASA B16.1.

NOTE: Pump flanges are tapped for gauges.



# VFD SELECTION GUIDE

Motor HP	Input Voltage				
	Single Phase		3 Phase		
	100V - 120V	200V - 240V	200V - 240V	380V - 480V	525V - 600V
.5	ATV12H037F1	ATV12H037M2	ATV12H037M3	ATV212H075N4	ATV312H075S6
.75	ATV12H075F1	ATV12H055M2	ATV212H075M3X		
1		ATV12H075M2			

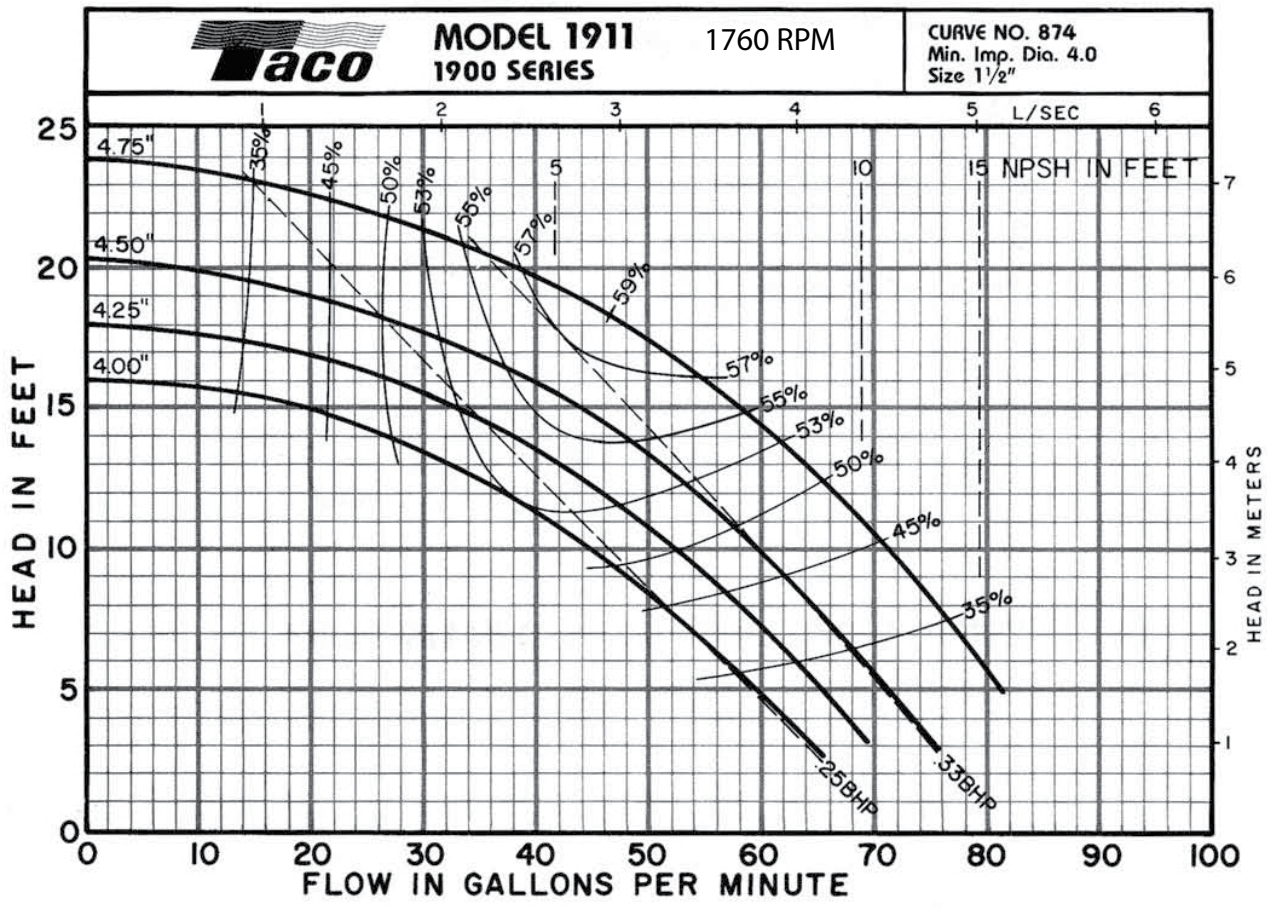


In order to provide the most efficient pump solution to our customers, Taco is now working with Schneider Electric.

This collaboration brings together Taco's pump technology with Schneider Electric Variable Frequency Drives and the drive packaging of Square D enclosures to offer the best overall pumping solution for our customers.



by Schneider Electric



## COMMENTS

# 1900 Series Pump | Submittal Data

Submittal No: 301-250 | Model: 1911 | RPM: 3500 | Effective: January 14, 2022 | Supersedes: January 27, 2020

JOB: \_\_\_\_\_

REPRESENTATIVE: \_\_\_\_\_

ENGINEER: \_\_\_\_\_

CONTRACTOR: \_\_\_\_\_

## PRODUCT DATA

ITEM NO. \_\_\_\_\_ MODEL NO. \_\_\_\_\_ 1911

IMPELLER DIAMETER \_\_\_\_\_ HORSEPOWER \_\_\_\_\_

GPM \_\_\_\_\_ RPM \_\_\_\_\_ 3500 VOLTAGE \_\_\_\_\_

HEAD/FT \_\_\_\_\_ VFD MODEL NO. \_\_\_\_\_

WEIGHT \_\_\_\_\_ OPTION CARD \_\_\_\_\_

NSF 61 CERTIFIED YES NO

## DIMENSIONS

Model No. | 1911

Flange Size (Suction x Discharge) | 1 1/2 (38)

HORSEPOWER (KW)	1.5 (1.12)	2 (1.50)	3 (2.25)	5 (3.75)
PUMP WEIGHT LBS (KG)	60 (27)	67 (30)	76 (34)	103 (47)
VDF BRACKET WEIGHT LBS (KG)	10 (5)			
A	3.00 (76)			
B	15.50 (394)		16.50 (419)	
C	10.25 (260)			
D	12.88 (327)			
E	14.80 (376)			
F	21.24 (539)			
G	4.52 (115)			
H	8.38 (213)			
J	5.00 (127)		7.00 (178)	
K	4.25 (108)			

English dimensions are in inches. Metric dimensions are in millimeters. Metric data is presented in ( ). Do not use for construction purposes unless certified.

Pump Turn Down Ratio = 4:1  
Recommended Minimum Drive Frequency = 15 Hz

For VFD drive specifications, weights, and options, see the following Taco VFD Submittal Data sheets:  
ATV12 – Taco Submittal No. 301-1891  
ATV212 – Taco Submittal No. 301-1890  
ATV312 – Taco Submittal No. 301-1897

Configuration	DOE Basic Model Number	PEI Value		Energy Rating
Bare Pump	1911-2P-BP	PEI <sub>d</sub>	0.93	7
Pump + Motor	1911-2P-PM	PEI <sub>d</sub>	0.93	7
Pump + Motor + Drive	1911-2P-PD	PEI <sub>v</sub>	0.53	47

## SPECIFICATIONS

### MOTORS

3500 RPM, Three Phase 208/230/460V, 60 Hz, Nema 56 C Frame Motors. Also available in Single Phase 115/208/230V. Motors are sealed ball bearing design, and require no maintenance.

### BODY

Cast iron with in-line flanged connections. Also available in optional all Stainless Steel (304). Companion flanges included with the pump. NSF61 All-SS models are also available.

### IMPELLER

One Piece Cast Stainless Steel (304), Closed, Dynamically Balanced Impeller.

### DRIVE

Close Coupled Direct Driven Pump.

### SHAFT

416 Stainless Steel Shaft.

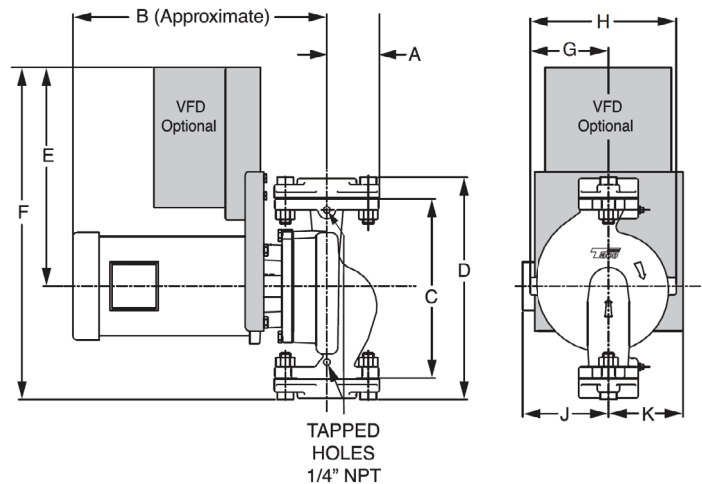
### MECHANICAL SEAL

J. Crane Type 21 with carbon rotating element and ceramic stationary seat, with a maximum operating temperature of 250° F (121° C) furnished as standard. Optional "Sealide C" with silicon carbide rotating element and silicon carbide stationary seat is also available for systems with aggressive/glycol fluids, with a maximum operating temperature of 300° F (149° C).

### WORKING PRESSURE

175 PSI (1207 kPa) in accordance with ASA B16.1.

**NOTE:** Pump flanges are tapped for gauges.



# VFD SELECTION GUIDE

Motor HP	Input Voltage				
	Single Phase		3 Phase		
	100V - 120V	200V - 240V	200V - 240V	380V - 480V	525V - 600V
1.5	N/A	ATV12HU15M2	ATV212HU15M3X	ATV212HU15N4	ATV312HU15S6
2		ATV12HU22M2	ATV212HU22M3X	ATV212HU22N4	ATV312HU22S6
3		N/A	ATV212HU40M3X	ATV212HU40N4	ATV312HU40S6
5		N/A	ATV212HU40M3X	ATV212HU40N4	ATV312HU40S6

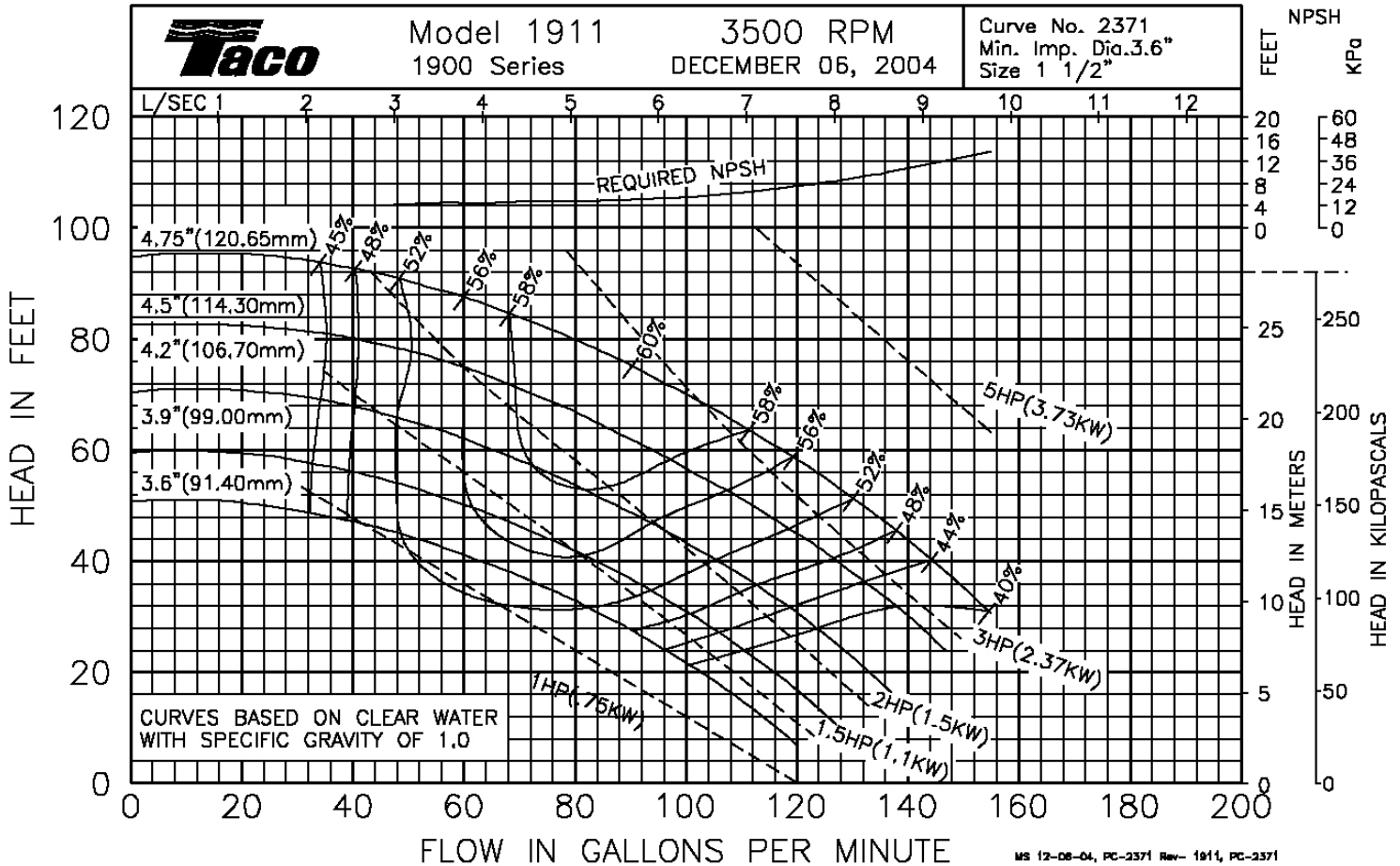


In order to provide the most efficient pump solution to our customers, Taco is now working with Schneider Electric.

This collaboration brings together Taco's pump technology with Schneider Electric Variable Frequency Drives and the drive packaging of Square D enclosures to offer the best overall pumping solution for our customers.



by Schneider Electric



## COMMENTS

# 1900 Series Pump | Submittal Data

Submittal No: 301-243 | Model: 1915 | RPM: 1760 | Effective: January 14, 2022 | Supersedes: January 27, 2020

JOB: \_\_\_\_\_

REPRESENTATIVE: \_\_\_\_\_

ENGINEER: \_\_\_\_\_

CONTRACTOR: \_\_\_\_\_

## PRODUCT DATA

ITEM NO. \_\_\_\_\_ MODEL NO. 1915

IMPELLER DIAMETER \_\_\_\_\_ HORSEPOWER \_\_\_\_\_

GPM \_\_\_\_\_ RPM 1760 VOLTAGE \_\_\_\_\_

HEAD/FT \_\_\_\_\_ VFD MODEL NO. \_\_\_\_\_

WEIGHT \_\_\_\_\_ OPTION CARD \_\_\_\_\_

NSF 61 CERTIFIED YES NO

## DIMENSIONS

Model No. | 1915

Flange Size (Suction x Discharge) | 1 1/2 (38)

HORSEPOWER (KW)	1/3* (0.25)	0.5 (0.37)	0.75 (0.56)	1 (0.75)	1.5 (1.12)
PUMP WEIGHT LBS (KG)	85 (39)	89 (40)	90 (41)	100 (45)	112 (51)
VDF BRACKET WEIGHT LBS (KG)	10 (5)				
A	3.13 (79)				
B	14.00 (356)	15.00 (381)	16.00 (406)		
C	13.50 (343)				
D	16.13 (410)				
E	14.80 (376)				
F	22.86 (581)				
G	5.15 (131)				
H	9.75 (213)				
J	5.00 (127)				
K	4.25 (108)				

\*Please note that integral VFD models are not available in 1/4 HP or 1/3 HP.

English dimensions are in inches. Metric dimensions are in millimeters.  
Metric data is presented in ( ). Do not use for construction purposes unless certified.

Pump Turn Down Ratio = 4:1  
Recommended Minimum Drive Frequency = 15 Hz

For VFD drive specifications, weights, and options, see the following Taco VFD Submittal Data sheets:  
ATV12 – Taco Submittal No. 301-1891  
ATV212 – Taco Submittal No. 301-1890  
ATV312 – Taco Submittal No. 301-1897

Configuration	DOE Basic Model Number	PEI Value		Energy Rating
		PEI <sub>d</sub>	N/A	
Bare Pump	N/A	PEI <sub>d</sub>	N/A	N/A
Pump + Motor	N/A	PEI <sub>d</sub>	N/A	N/A
Pump + Motor + Drive	N/A	PEI <sub>v</sub>	N/A	N/A

N/A=NOT WITHIN DOE SCOPE

## SPECIFICATIONS

### MOTORS

1760 RPM, Three Phase 208/230/460V, 60 Hz, Nema 56 C Frame Motors. Also available in Single Phase 115/208/230V. Motors are sealed ball bearing design, and require no maintenance.

### BODY

Cast iron with in-line flanged connections. Also available in optional all Stainless Steel (304). Companion flanges included with the pump. NSF61 All-SS models are also available.

### IMPELLER

One Piece Cast Stainless Steel (304), Closed, Dynamically Balanced Impeller.

### DRIVE

Close Coupled Direct Driven Pump.

### SHAFT

416 Stainless Steel Shaft.

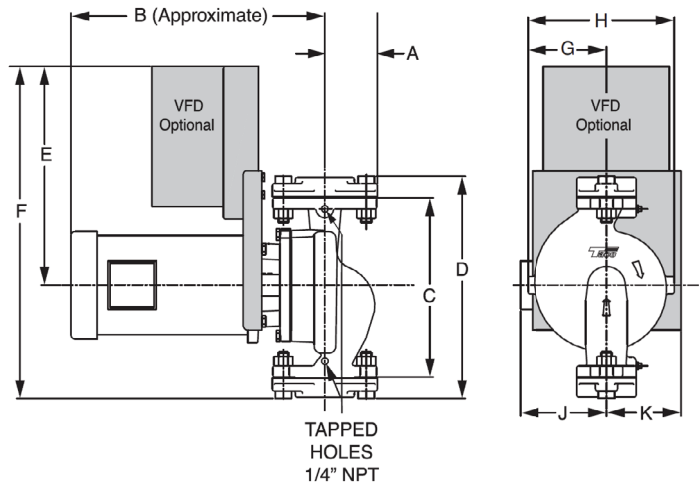
### MECHANICAL SEAL

J. Crane Type 21 with carbon rotating element and ceramic stationary seat, with a maximum operating temperature of 250° F (121° C) furnished as standard. Optional "Sealide C" with silicon carbide rotating element and silicon carbide stationary seat is also available for systems with aggressive/glycol fluids, with a maximum operating temperature of 300° F (149° C).

### WORKING PRESSURE

175 PSI (1207 kPa) in accordance with ASA B16.1.

NOTE: Pump flanges are tapped for gauges.





# VFD SELECTION GUIDE

Motor HP	Input Voltage				
	Single Phase		3 Phase		
	100V - 120V	200V - 240V	200V - 240V	380V - 480V	525V - 600V
.5	ATV12H037F1	ATV12H037M2	ATV12H037M3	ATV212H075N4	ATV312H075S6
.75	ATV12H075F1	ATV12H055M2	ATV212H075M3X		
1		ATV12H075M2			
1.5	N/A	ATV12HU15M2	ATV212HU15M3X	ATV212HU15N4	ATV312HU15S6

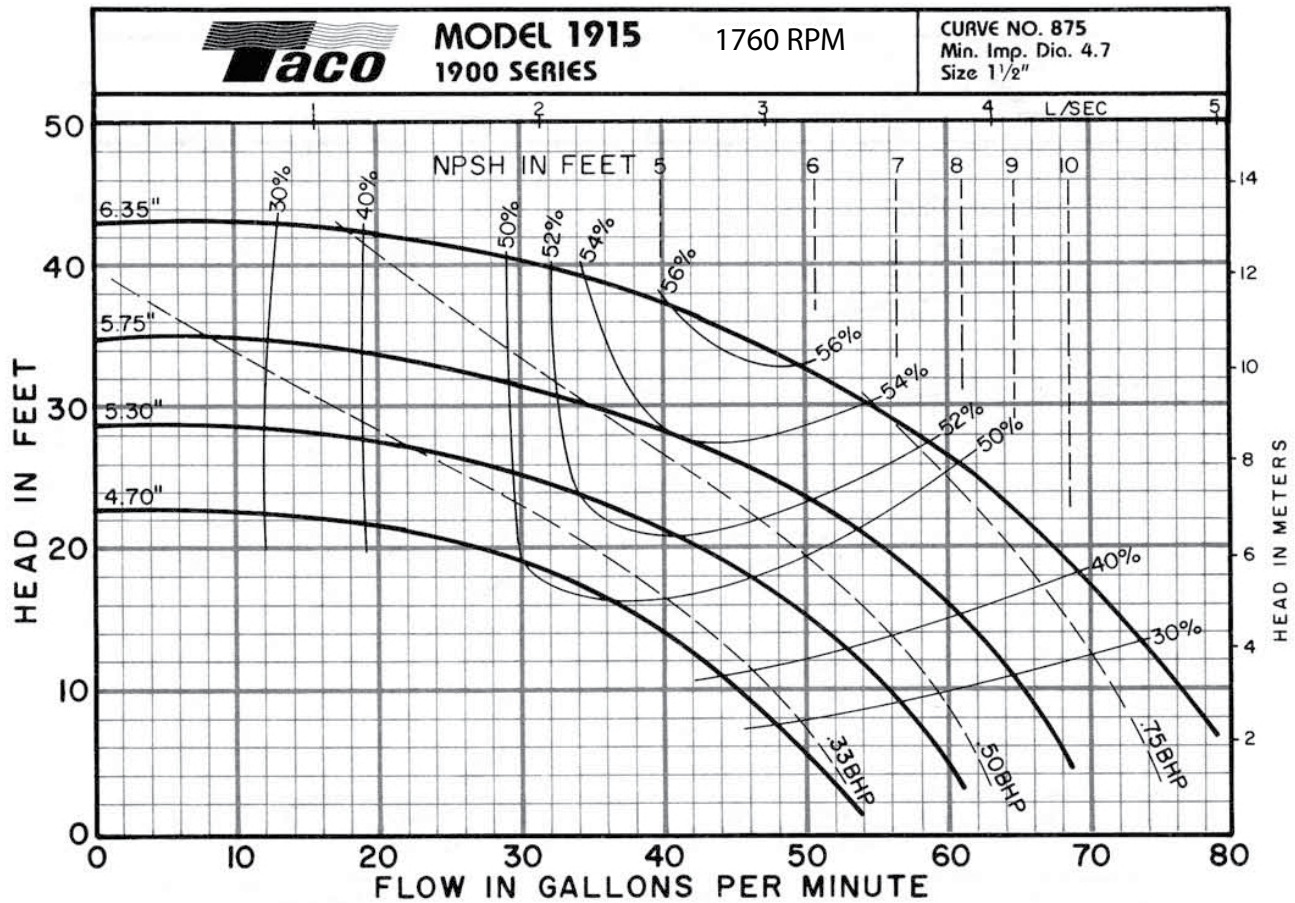


In order to provide the most efficient pump solution to our customers, Taco is now working with Schneider Electric.

This collaboration brings together Taco's pump technology with Schneider Electric Variable Frequency Drives and the drive packaging of Square D enclosures to offer the best overall pumping solution for our customers.



by Schneider Electric



## COMMENTS

# 1900 Series Pump | Submittal Data

Submittal No: 301-251 | Model: 1915 | RPM: 3500 | Effective: January 14, 2022 | Supersedes: January 27, 2020

JOB: \_\_\_\_\_

REPRESENTATIVE: \_\_\_\_\_

ENGINEER: \_\_\_\_\_

CONTRACTOR: \_\_\_\_\_

## PRODUCT DATA

ITEM NO. \_\_\_\_\_ MODEL NO. 1915

IMPELLER DIAMETER \_\_\_\_\_ HORSEPOWER \_\_\_\_\_

GPM \_\_\_\_\_ RPM 3500 VOLTAGE \_\_\_\_\_

HEAD/FT \_\_\_\_\_ VFD MODEL NO. \_\_\_\_\_

WEIGHT \_\_\_\_\_ OPTION CARD \_\_\_\_\_

NSF 61 CERTIFIED YES NO

## DIMENSIONS

Model No. | 1915

Flange Size (Suction x Discharge) | 1 1/2 (38)

HORSEPOWER (KW)	2 (1.50)	3 (2.25)	5 (3.75)	7.5 (5.63)
PUMP WEIGHT LBS (KG)	103 (47)	112 (51)	139 (63)	149 (68)
VDF BRACKET WEIGHT LBS (KG)	10 (5)			12 (5)
A	3.13 (79)			
B	16.00 (406)	17.00 (432)		
C	13.50 (343)			
D	16.13 (410)			
E	14.80 (376)	19.20 (488)		
F	22.86 (581)	28.00 (711)		
G	5.15 (131)			
H	9.75 (213)			
J	5.00 (127)	7.00 (178)		
K	4.25 (108)			

English dimensions are in inches. Metric dimensions are in millimeters. Metric data is presented in ( ). Do not use for construction purposes unless certified.

Pump Turn Down Ratio = 4:1  
Recommended Minimum Drive Frequency = 15 Hz

For VFD drive specifications, weights, and options, see the following Taco VFD Submittal Data sheets:  
ATV12 – Taco Submittal No. 301-1891  
ATV212 – Taco Submittal No. 301-1890  
ATV312 – Taco Submittal No. 301-1897

Configuration	DOE Basic Model Number	PEI Value		Energy Rating
Bare Pump	1915-2P-BP	PEI <sub>d</sub>	0.87	13
Pump + Motor	1915-2P-PM	PEI <sub>d</sub>	0.87	13
Pump + Motor + Drive	1915-2P-PD	PEI <sub>v</sub>	0.45	55

## SPECIFICATIONS

### MOTORS

3500 RPM, Three Phase 208/230/460V, 60 Hz, Nema 56 C Frame Motors. Also available in Single Phase 115/208/230V. Motors are sealed ball bearing design, and require no maintenance.

### BODY

Cast iron with in-line flanged connections. Also available in optional all Stainless Steel (304). Companion flanges included with the pump. NSF61 All-SS models are also available.

### IMPELLER

One Piece Cast Stainless Steel (304), Closed, Dynamically Balanced Impeller.

### DRIVE

Close Coupled Direct Driven Pump.

### SHAFT

416 Stainless Steel Shaft.

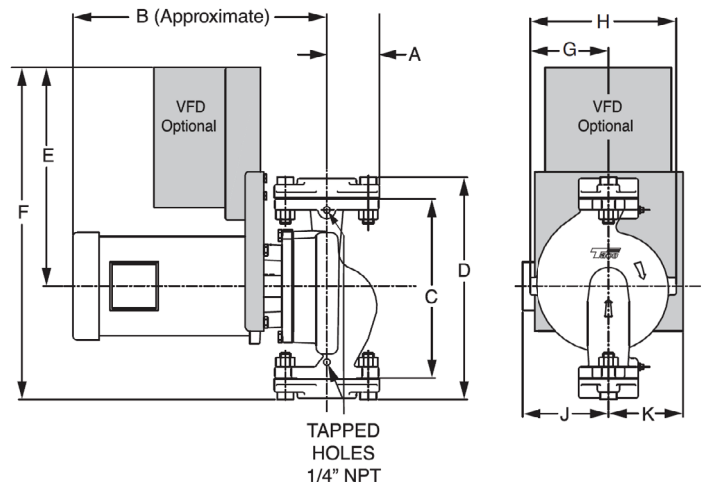
### MECHANICAL SEAL

J. Crane Type 21 with carbon rotating element and ceramic stationary seat, with a maximum operating temperature of 250° F (121° C) furnished as standard. Optional "Sealide C" with silicon carbide rotating element and silicon carbide stationary seat is also available for systems with aggressive/glycol fluids, with a maximum operating temperature of 300° F (149° C).

### WORKING PRESSURE

175 PSI (1207 kPa) in accordance with ASA B16.1.

**NOTE:** Pump flanges are tapped for gauges.



# VFD SELECTION GUIDE

Motor HP	Input Voltage				
	Single Phase		3 Phase		
	100V - 120V	200V - 240V	200V - 240V	380V - 480V	525V - 600V
2	N/A	ATV12HU15M2	ATV212HU15M3X	ATV212HU15N4	ATV312HU15S6
3		ATV12HU22M2	ATV212HU22M3X	ATV212HU22N4	ATV312HU22S6
5		N/A	ATV212HU40M3X	ATV212HU40N4	ATV312HU40S6
7.5			ATV212HU55M3X	ATV212HU55N4	ATV312HU55S6

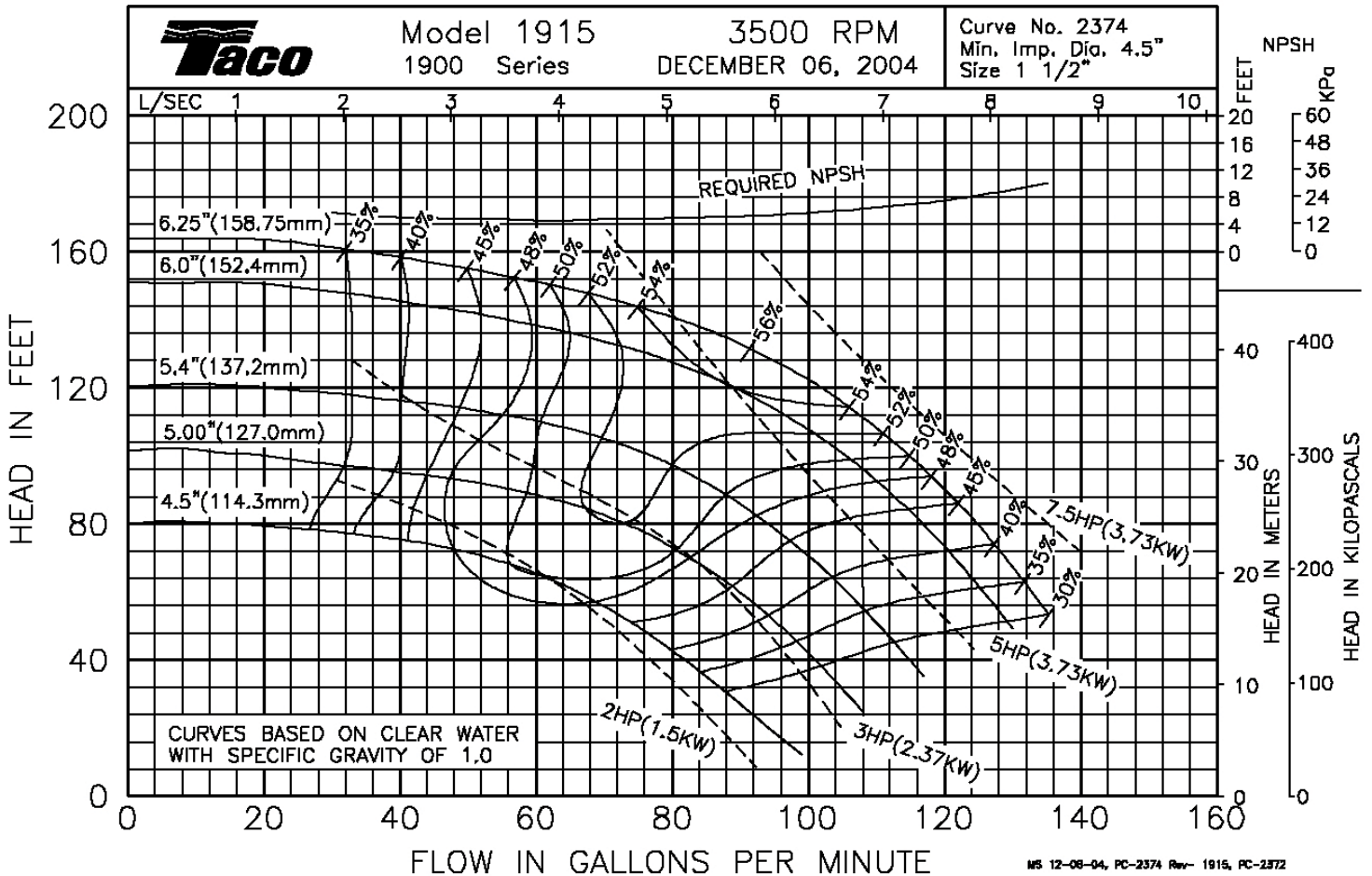


In order to provide the most efficient pump solution to our customers, Taco is now working with Schneider Electric.

This collaboration brings together Taco's pump technology with Schneider Electric Variable Frequency Drives and the drive packaging of Square D enclosures to offer the best overall pumping solution for our customers.



by Schneider Electric



## COMMENTS



# 1900 Series Pump | Submittal Data

Submittal No: 301-244 | Model: 1919 | RPM: 1760 | Effective: January 14, 2022 | Supersedes: January 27, 2020

JOB: \_\_\_\_\_

REPRESENTATIVE: \_\_\_\_\_

ENGINEER: \_\_\_\_\_

CONTRACTOR: \_\_\_\_\_

## PRODUCT DATA

ITEM NO. \_\_\_\_\_ MODEL NO. 1919

IMPELLER DIAMETER \_\_\_\_\_ HORSEPOWER \_\_\_\_\_

GPM \_\_\_\_\_ RPM 1760 VOLTAGE \_\_\_\_\_

HEAD/FT \_\_\_\_\_ VFD MODEL NO. \_\_\_\_\_

WEIGHT \_\_\_\_\_ OPTION CARD \_\_\_\_\_

NSF 61 CERTIFIED YES NO

## DIMENSIONS

Model No. | 1919

Flange Size (Suction x Discharge) | 2 (51)

HORSEPOWER (KW)	0.75 (0.56)	1 (0.75)	1.5 (1.12)	2 (1.50)
PUMP WEIGHT LBS (KG)	90 (41)	100 (45)	125 (57)	135 (61)
VDF BRACKET WEIGHT LBS (KG)	10 (5)			
A	3.00 (76)			
B	14.75 (375)	15.75 (400)	17.50 (445)	
C	14.50 (368)			
D	17.38 (441)			
E	14.80 (376)			
F	23.49 (597)			
G	5.74 (146)			
H	11.19 (284)			
J	5.00 (127)			
K	4.25 (108)			

English dimensions are in inches. Metric dimensions are in millimeters.  
Metric data is presented in ( ). Do not use for construction purposes unless certified.

Pump Turn Down Ratio = 4:1  
Recommended Minimum Drive Frequency = 15 Hz

For VFD drive specifications, weights, and options, see the following Taco VFD Submittal Data sheets:  
ATV12 – Taco Submittal No. 301-1891  
ATV212 – Taco Submittal No. 301-1890  
ATV312 – Taco Submittal No. 301-1897

Configuration	DOE Basic Model Number	PEI Value		Energy Rating
Bare Pump	1919-4P-BP	PEI <sub>d</sub>	0.85	15
Pump + Motor	1919-4P-PM	PEI <sub>d</sub>	0.85	15
Pump + Motor + Drive	1919-4P-PD	PEI <sub>v</sub>	0.46	54

## SPECIFICATIONS

### MOTORS

1760 RPM, Three Phase 208/230/460V, 60 Hz, Nema 56 C Frame Motors. Also available in Single Phase 115/208/230V. Motors are sealed ball bearing design, and require no maintenance.

### BODY

Cast iron with in-line flanged connections. Also available in optional all Stainless Steel (304). Companion flanges included with the pump. NSF61 All-SS models are also available.

### IMPELLER

One Piece Cast Stainless Steel (304), Closed, Dynamically Balanced Impeller.

### DRIVE

Close Coupled Direct Driven Pump.

### SHAFT

416 Stainless Steel Shaft.

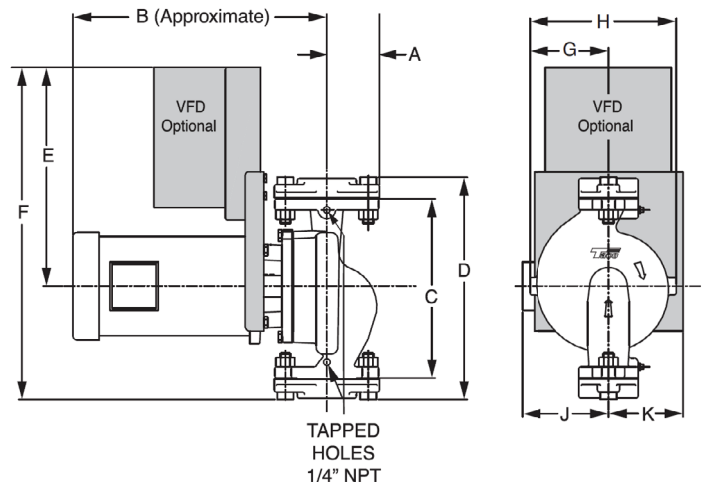
### MECHANICAL SEAL

J. Crane Type 21 with carbon rotating element and ceramic stationary seat, with a maximum operating temperature of 250° F (121° C) furnished as standard. Optional "Sealide C" with silicon carbide rotating element and silicon carbide stationary seat is also available for systems with aggressive/glycol fluids, with a maximum operating temperature of 300° F (149° C).

### WORKING PRESSURE

175 PSI (1207 kPa) in accordance with ASA B16.1.

**NOTE:** Pump flanges are tapped for gauges.



# VFD SELECTION GUIDE

Motor HP	Input Voltage				
	Single Phase		3 Phase		
	100V - 120V	200V - 240V	200V - 240V	380V - 480V	525V - 600V
0.75	ATV12H075F1	ATV12H055M2	ATV212H075M3X	ATV212H075N4	ATV312H075S6
1		ATV12H075M2			
1.5	N/A	ATV12HU15M2	ATV212HU15M3X	ATV212HU15N4	ATV312HU15S6
2					

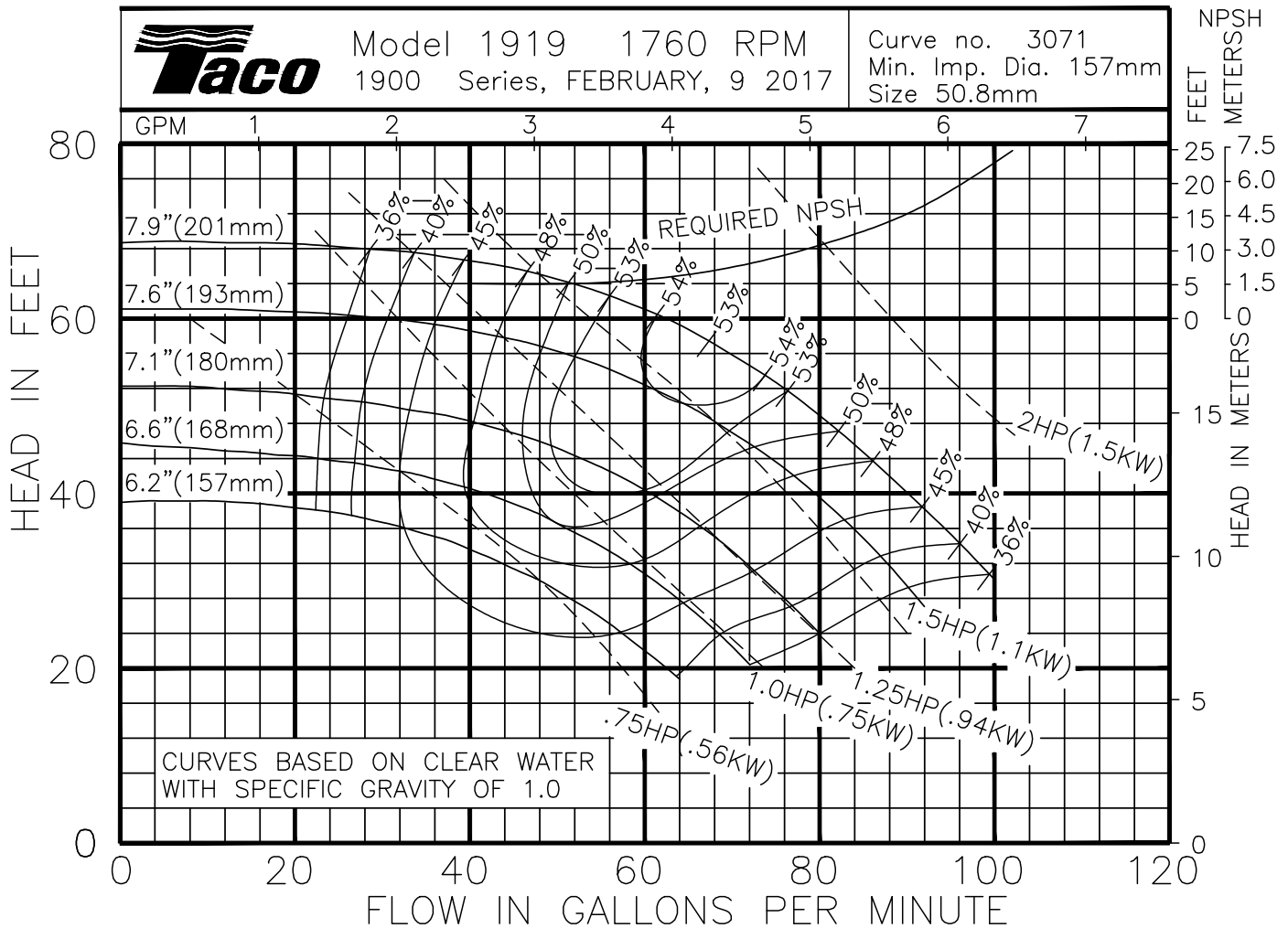


In order to provide the most efficient pump solution to our customers, Taco is now working with Schneider Electric.

This collaboration brings together Taco's pump technology with Schneider Electric Variable Frequency Drives and the drive packaging of Square D enclosures to offer the best overall pumping solution for our customers.



by Schneider Electric



## COMMENTS

# 1900 Series Pump | Submittal Data

Submittal No: 301-245 | Model: 1935 | RPM: 1760 | Effective: January 14, 2022 | Supersedes: January 27, 2020

JOB: \_\_\_\_\_

REPRESENTATIVE: \_\_\_\_\_

ENGINEER: \_\_\_\_\_

CONTRACTOR: \_\_\_\_\_

## PRODUCT DATA

ITEM NO. \_\_\_\_\_ MODEL NO. 1935

IMPELLER DIAMETER \_\_\_\_\_ HORSEPOWER \_\_\_\_\_

GPM \_\_\_\_\_ RPM 1760 VOLTAGE \_\_\_\_\_

HEAD/FT \_\_\_\_\_ VFD MODEL NO. \_\_\_\_\_

WEIGHT \_\_\_\_\_ OPTION CARD \_\_\_\_\_

NSF 61 CERTIFIED YES NO

## DIMENSIONS

Model No. | 1935

Flange Size (Suction x Discharge) | 2 (51)

HORSEPOWER (KW)	0.5 (0.37)	0.75 (0.56)	1 (0.75)	1.5 (1.12)
PUMP WEIGHT LBS (KG)	90 (41)	95 (43)	100 (45)	110 (50)
VDF BRACKET WEIGHT LBS (KG)	10 (5)			
A	3.50 (89)			
B	13.75 (249)	14.75 (375)	15.75 (400)	
C	13.50 (343)			
D	16.13 (410)			
E	14.80 (376)			
F	22.86 (581)			
G	5.39 (137)			
H	9.90 (251)			
J	5.00 (127)			
K	4.25 (108)			

English dimensions are in inches. Metric dimensions are in millimeters. Metric data is presented in ( ). Do not use for construction purposes unless certified.

Pump Turn Down Ratio = 4:1  
Recommended Minimum Drive Frequency = 15 Hz

For VFD drive specifications, weights, and options, see the following Taco VFD Submittal Data sheets:  
ATV12 – Taco Submittal No. 301-1891  
ATV212 – Taco Submittal No. 301-1890  
ATV312 – Taco Submittal No. 301-1897

Configuration	DOE Basic Model Number	PEI Value		Energy Rating
Bare Pump	1935-4P-PM	PEI <sub>d</sub>	0.93	7
Pump + Motor	1935-4P-PM	PEI <sub>d</sub>	0.93	7
Pump + Motor + Drive	1935-4P-PD	PEI <sub>v</sub>	0.51	49

## SPECIFICATIONS

### MOTORS

1760 RPM, Three Phase 208/230/460V, 60 Hz, Nema 56 C Frame Motors. Also available in Single Phase 115/208/230V. Motors are sealed ball bearing design, and require no maintenance.

### BODY

Cast iron with in-line flanged connections. Also available in optional all Stainless Steel (304). Companion flanges included with the pump. NSF61 All-SS models are also available.

### IMPELLER

One Piece Cast Stainless Steel (304), Closed, Dynamically Balanced Impeller.

### DRIVE

Close Coupled Direct Driven Pump.

### SHAFT

416 Stainless Steel Shaft.

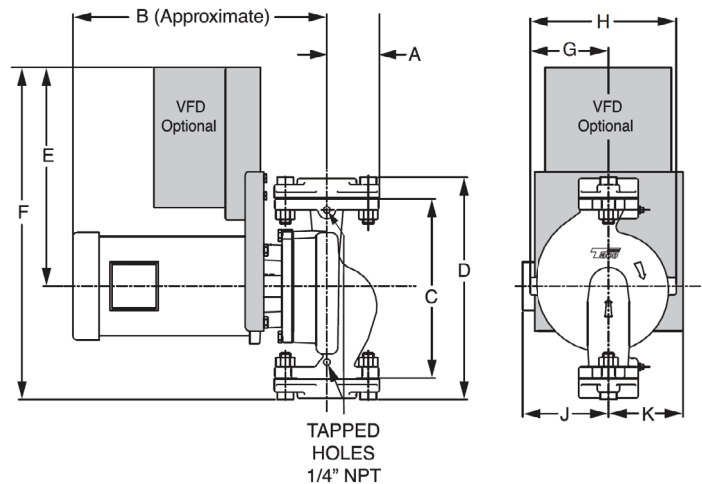
### MECHANICAL SEAL

J. Crane Type 21 with carbon rotating element and ceramic stationary seat, with a maximum operating temperature of 250° F (121° C) furnished as standard. Optional "Sealide C" with silicon carbide rotating element and silicon carbide stationary seat is also available for systems with aggressive/glycol fluids, with a maximum operating temperature of 300° F (149° C).

### WORKING PRESSURE

175 PSI (1207 kPa) in accordance with ASA B16.1.

**NOTE:** Pump flanges are tapped for gauges.



# VFD SELECTION GUIDE

Motor HP	Input Voltage				
	Single Phase		3 Phase		
	100V - 120V	200V - 240V	200V - 240V	380V - 480V	525V - 600V
0.5	ATV12H037F1	ATV12H037M2	ATV12H037M3	ATV212H075N4	ATV312H075S6
0.75	ATV12H075F1	ATV12H055M2	ATV212H075M3X		
1		ATV12H075M2			
1.5	N/A	ATV12HU15M2	ATV212HU15M3X	ATV212HU15N4	ATV312HU15S6

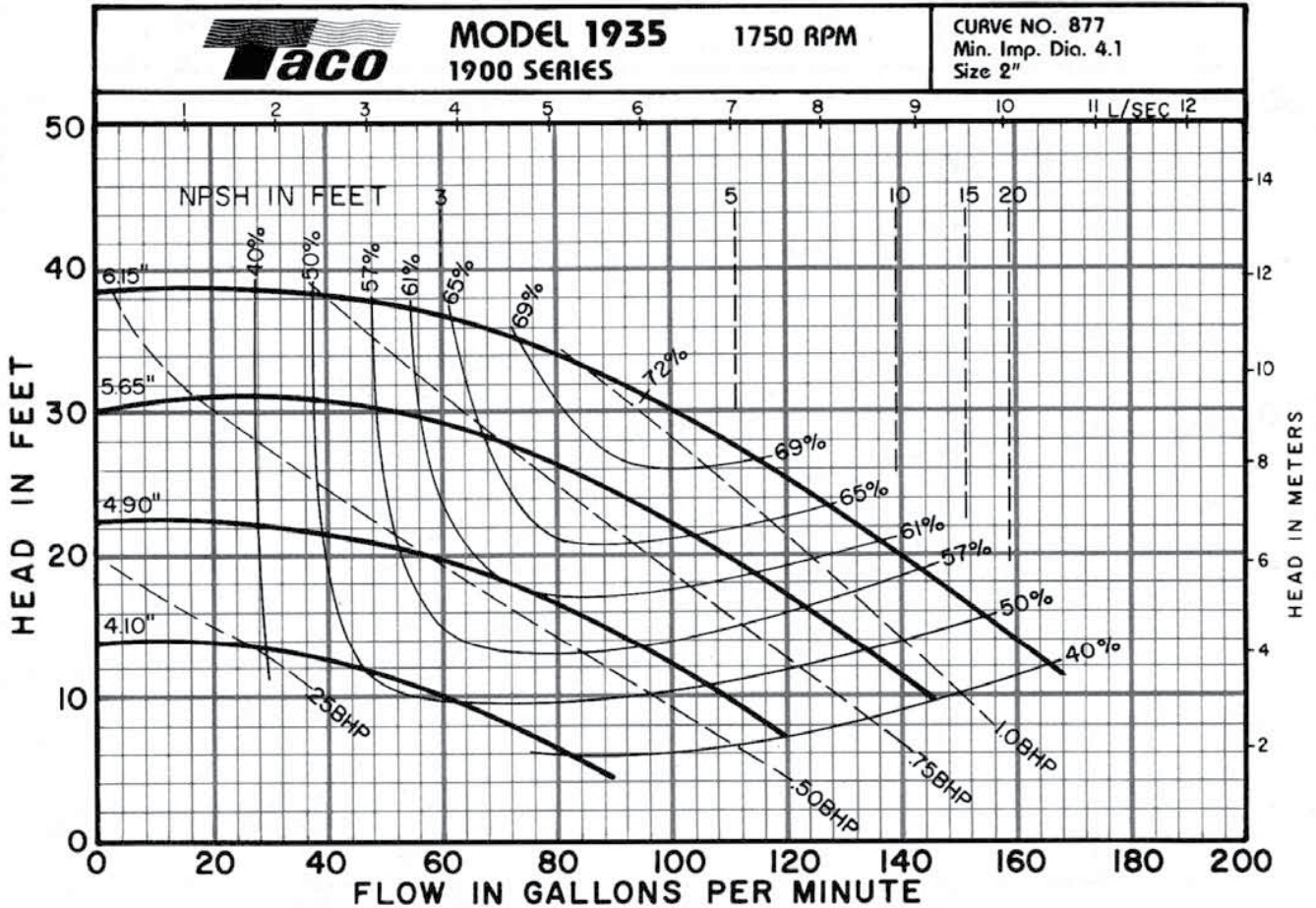


In order to provide the most efficient pump solution to our customers, Taco is now working with Schneider Electric.

This collaboration brings together Taco's pump technology with Schneider Electric Variable Frequency Drives and the drive packaging of Square D enclosures to offer the best overall pumping solution for our customers.



by Schneider Electric



## COMMENTS

# 1900 Series Pump | Submittal Data

Submittal No: 301-252 | Model: 1935 | RPM: 3500 | Effective: January 14, 2022 | Supersedes: January 27, 2020

JOB: \_\_\_\_\_

REPRESENTATIVE: \_\_\_\_\_

ENGINEER: \_\_\_\_\_

CONTRACTOR: \_\_\_\_\_

## PRODUCT DATA

ITEM NO. \_\_\_\_\_ MODEL NO. 1935

IMPELLER DIAMETER \_\_\_\_\_ HORSEPOWER \_\_\_\_\_

GPM \_\_\_\_\_ RPM 3500 VOLTAGE \_\_\_\_\_

HEAD/FT \_\_\_\_\_ VFD MODEL NO. \_\_\_\_\_

WEIGHT \_\_\_\_\_ OPTION CARD \_\_\_\_\_

NSF 61 CERTIFIED YES NO

## DIMENSIONS

Model No. | 1935

Flange Size (Suction x Discharge) | 2 (51)

HORSEPOWER (KW)	2 (1.50)	3 (2.25)	5 (3.75)	7.5 (5.63)
PUMP WEIGHT LBS (KG)	108 (49)	117 (53)	144 (65)	154 (70)
VDF BRACKET WEIGHT LBS (KG)	10 (5)			12 (5)
A	3.50 (89)			
B	15.75 (400)	16.00 (406)	17.00 (432)	
C	13.50 (343)			
D	16.13 (410)			
E	14.80 (376)			19.20 (488)
F	22.86 (581)			28.00 (711)
G	5.39 (137)			
H	9.90 (251)			
J	5.00 (127)			7.00 (178)
K	4.25 (108)			

English dimensions are in inches. Metric dimensions are in millimeters. Metric data is presented in ( ). Do not use for construction purposes unless certified.

Pump Turn Down Ratio = 4:1  
Recommended Minimum Drive Frequency = 15 Hz

For VFD drive specifications, weights, and options, see the following Taco VFD Submittal Data sheets:  
ATV12 – Taco Submittal No. 301-1891  
ATV212 – Taco Submittal No. 301-1890  
ATV312 – Taco Submittal No. 301-1897

Configuration	DOE Basic Model Number	PEI Value		Energy Rating
Bare Pump	1935-2P-BP	PEI <sub>d</sub>	0.93	7
Pump + Motor	1935-2P-PM	PEI <sub>d</sub>	0.93	7
Pump + Motor + Drive	1935-2P-PD	PEI <sub>v</sub>	0.48	52

## SPECIFICATIONS

### MOTORS

3500 RPM, Three Phase 208/230/460V, 60 Hz, Nema 56 C Frame Motors. Also available in Single Phase 115/208/230V. Motors are sealed ball bearing design, and require no maintenance.

### BODY

Cast iron with in-line flanged connections. Also available in optional all Stainless Steel (304). Companion flanges included with the pump. NSF61 All-SS models are also available.

### IMPELLER

One Piece Cast Stainless Steel (304), Closed, Dynamically Balanced Impeller.

### DRIVE

Close Coupled Direct Driven Pump.

### SHAFT

416 Stainless Steel Shaft.

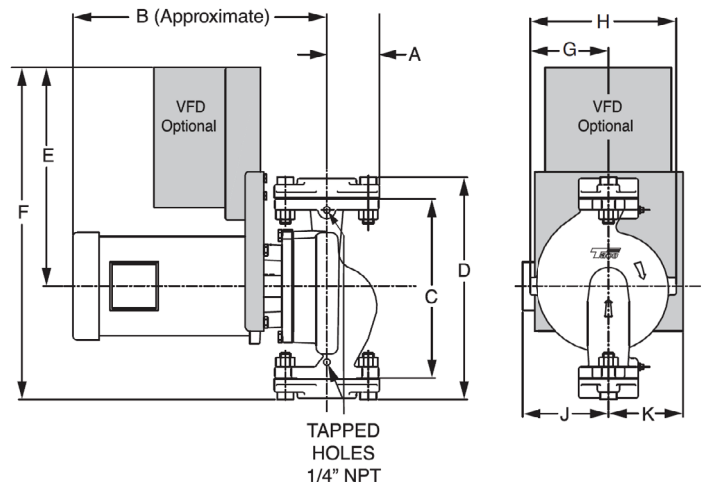
### MECHANICAL SEAL

J. Crane Type 21 with carbon rotating element and ceramic stationary seat, with a maximum operating temperature of 250° F (121° C) furnished as standard. Optional "Sealide C" with silicon carbide rotating element and silicon carbide stationary seat is also available for systems with aggressive/glycol fluids, with a maximum operating temperature of 300° F (149° C).

### WORKING PRESSURE

175 PSI (1207 kPa) in accordance with ASA B16.1.

**NOTE:** Pump flanges are tapped for gauges.





# VFD SELECTION GUIDE

Motor HP	Input Voltage				
	Single Phase		3 Phase		
	100V - 120V	200V - 240V	200V - 240V	380V - 480V	525V - 600V
2	N/A	ATV12HU15M2	ATV212HU15M3X	ATV212HU15N4	ATV312HU15S6
3		ATV12HU22M2	ATV212HU22M3X	ATV212HU22N4	ATV312HU22S6
5		N/A	ATV212HU40M3X	ATV212HU40N4	ATV312HU40S6
7.5			ATV212HU55M3X	ATV212HU55N4	ATV312HU55S6

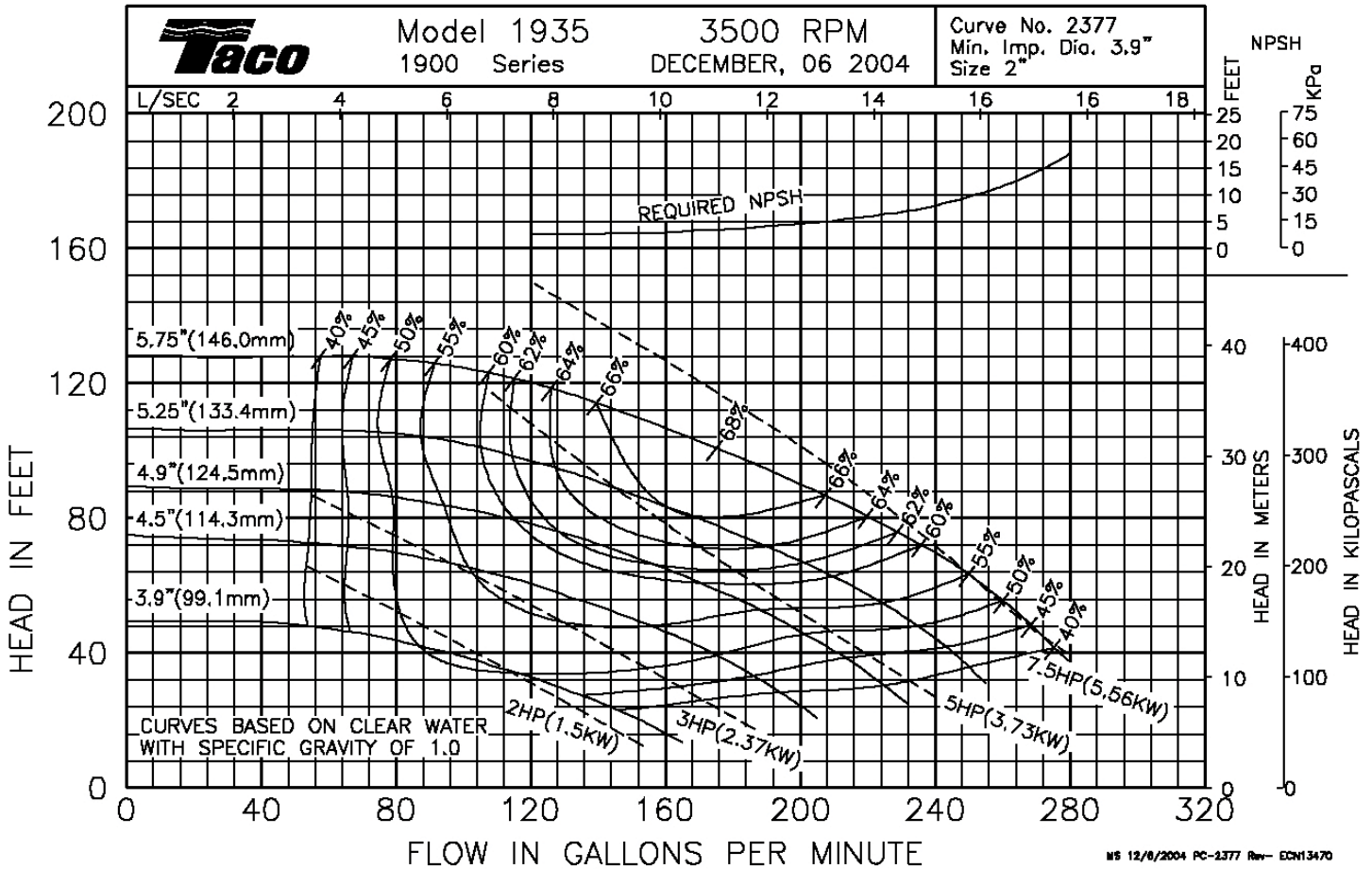


In order to provide the most efficient pump solution to our customers, Taco is now working with Schneider Electric.

This collaboration brings together Taco's pump technology with Schneider Electric Variable Frequency Drives and the drive packaging of Square D enclosures to offer the best overall pumping solution for our customers.



by Schneider Electric



## COMMENTS

# 1900 Series Pump | Submittal Data

Submittal No: 301-246 | Model: 1941 | RPM: 1760 | Effective: January 14, 2022 | Supersedes: January 27, 2020

JOB: \_\_\_\_\_

REPRESENTATIVE: \_\_\_\_\_

ENGINEER: \_\_\_\_\_

CONTRACTOR: \_\_\_\_\_

## PRODUCT DATA

ITEM NO. \_\_\_\_\_ MODEL NO. 1941

IMPELLER DIAMETER \_\_\_\_\_ HORSEPOWER \_\_\_\_\_

GPM \_\_\_\_\_ RPM 1760 VOLTAGE \_\_\_\_\_

HEAD/FT \_\_\_\_\_ VFD MODEL NO. \_\_\_\_\_

WEIGHT \_\_\_\_\_ OPTION CARD \_\_\_\_\_

NSF 61 CERTIFIED YES NO

## DIMENSIONS

Model No. | 1941

Flange Size (Suction x Discharge) | 2 (51)

<b>HORSEPOWER (KW)</b>	1.5 (1.12)	2 (1.50)	3 (2.25)
<b>PUMP WEIGHT LBS (KG)</b>	125 (57)	145 (66)	156 (71)
<b>VDF BRACKET WEIGHT LBS (KG)</b>	10 (5)		
<b>A</b>	3.63 (92)		
<b>B</b>	15.75 (400)	17.50 (445)	24.00 (610)
<b>C</b>	16.50 (419)		
<b>D</b>	19.5 (495)		
<b>E</b>	14.80 (376)		
<b>F</b>	24.55 (624)		
<b>G</b>	6.97 (177)		
<b>H</b>	13.83 (351)		
<b>J</b>	5.00 (127)		
<b>K</b>	4.25 (108)		

English dimensions are in inches. Metric dimensions are in millimeters.  
Metric data is presented in ( ). Do not use for construction purposes unless certified.

Pump Turn Down Ratio = 4:1  
Recommended Minimum Drive Frequency = 15 Hz

For VFD drive specifications, weights, and options, see the following Taco VFD Submittal Data sheets:  
ATV12 – Taco Submittal No. 301-1891  
ATV212 – Taco Submittal No. 301-1890  
ATV312 – Taco Submittal No. 301-1897

Configuration	DOE Basic Model Number	PEI Value		Energy Rating
Bare Pump	1941-4P-BP	PEI <sub>d</sub>	0.95	5
Pump + Motor	1941-4P-PM	PEI <sub>d</sub>	0.95	5
Pump + Motor + Drive	1941-4P-PD	PEI <sub>v</sub>	0.51	49

## SPECIFICATIONS

### MOTORS

1760 RPM, Three Phase 208/230/460V, 60 Hz, Nema 56 C Frame Motors. Also available in Single Phase 115/208/230V. Motors are sealed ball bearing design, and require no maintenance.

### BODY

Cast iron with in-line flanged connections. Also available in optional all Stainless Steel (304). Companion flanges included with the pump. NSF61 All-SS models are also available.

### IMPELLER

One Piece Cast Stainless Steel (304), Closed, Dynamically Balanced Impeller.

### DRIVE

Close Coupled Direct Driven Pump.

### SHAFT

416 Stainless Steel Shaft.

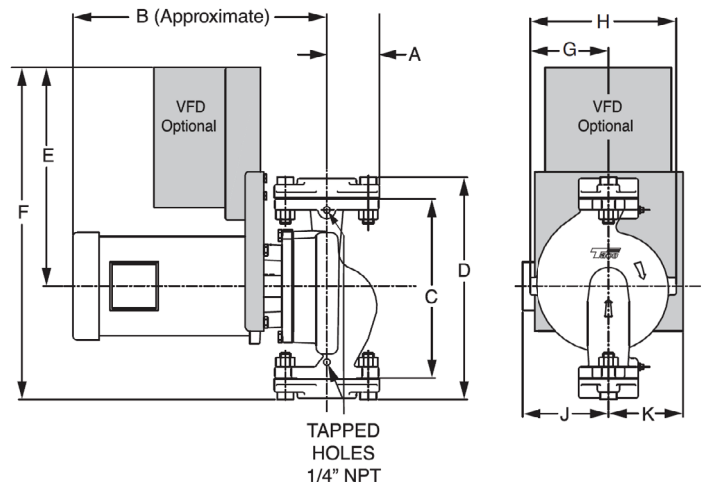
### MECHANICAL SEAL

J. Crane Type 21 with carbon rotating element and ceramic stationary seat, with a maximum operating temperature of 250° F (121° C) furnished as standard. Optional "Sealide C" with silicon carbide rotating element and silicon carbide stationary seat is also available for systems with aggressive/glycol fluids, with a maximum operating temperature of 300° F (149° C).

### WORKING PRESSURE

175 PSI (1207 kPa) in accordance with ASA B16.1.

**NOTE:** Pump flanges are tapped for gauges.



# VFD SELECTION GUIDE

Motor HP	Input Voltage				
	Single Phase		3 Phase		
	100V - 120V	200V - 240V	200V - 240V	380V - 480V	525V - 600V
1.5	N/A	ATV12HU15M2	ATV212HU15M3X	ATV212HU15N4	ATV312HU15S6
2		ATV12HU22M2	ATV212HU22M3X	ATV212HU22N4	ATV312HU22S6
3					

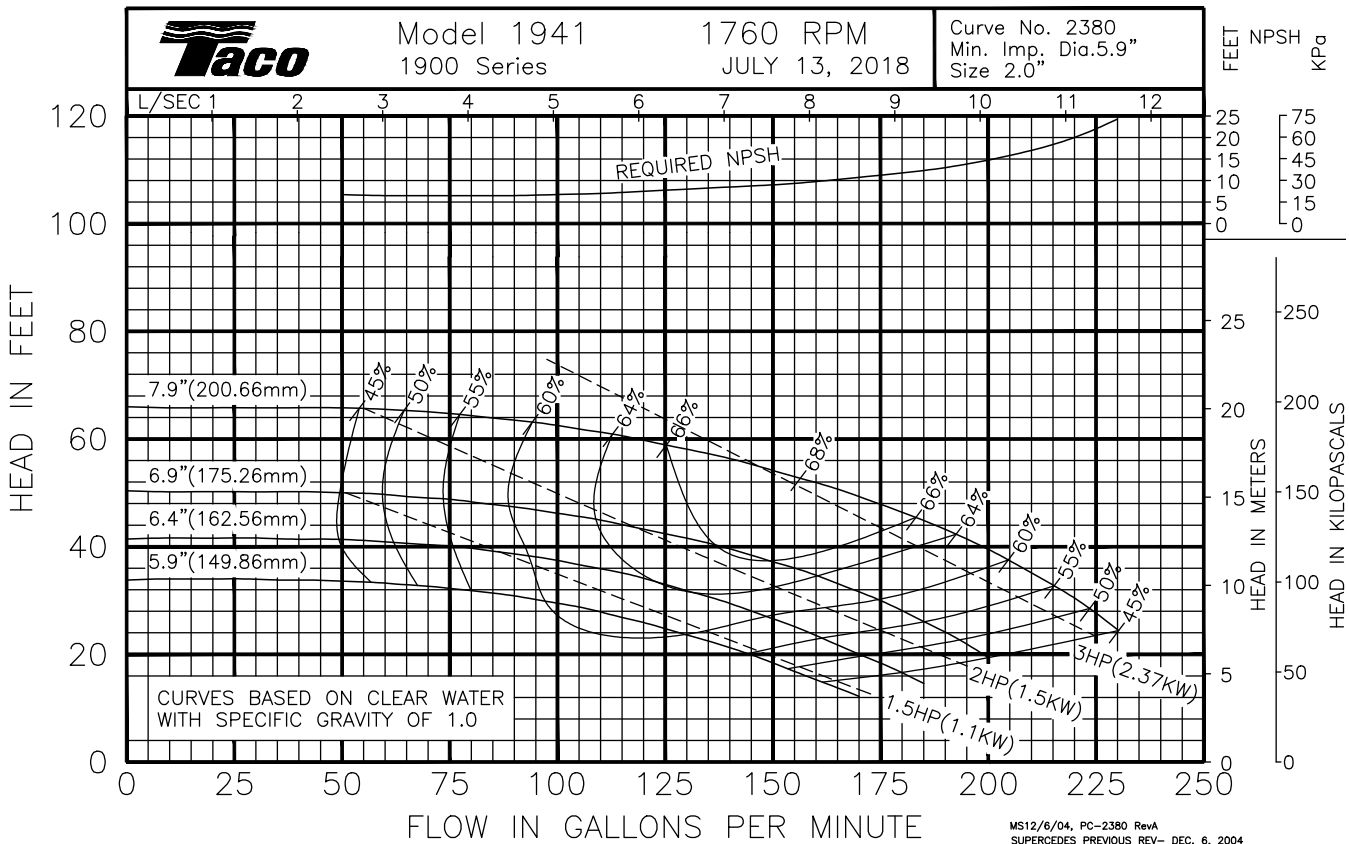


In order to provide the most efficient pump solution to our customers, Taco is now working with Schneider Electric.

This collaboration brings together Taco's pump technology with Schneider Electric Variable Frequency Drives and the drive packaging of Square D enclosures to offer the best overall pumping solution for our customers.



by Schneider Electric



## COMMENTS