

4900 Series Removable Cover, Air/Dirt Separators

Submittal Data

Submittal No: 401-217 | Effective: June 22, 2022 | Supersedes: May 4, 2017

JOB: _____

REPRESENTATIVE: _____

ENGINEER: _____

CONTRACTOR: _____

PRODUCT DATA

ITEM NO. _____ LOCATION _____

MODEL NO. _____ QUANTITY _____

GALLONS _____

SPECIFICATIONS

- Designed and constructed per ASME Code Section VIII Div. 1
- Registered with the National Board of Pressure Vessel Manufacturers
- Standard Design Pressure and Temperature: 150 psi @ 240°F
- Construction: Carbon Steel with exterior red oxide primer finish
- 304 Stainless Steel Coalescence Pall Rings
- Taco 4900 units are designed to be self-supporting in the piping system. Factory review is necessary should any piping loads be present.

CAUTION: LIFTING LUGS FOR RIGGING AND LIFTING USE ONLY, NOT FOR ANCHORING OR HANGING.

FACTORY INSTALLED

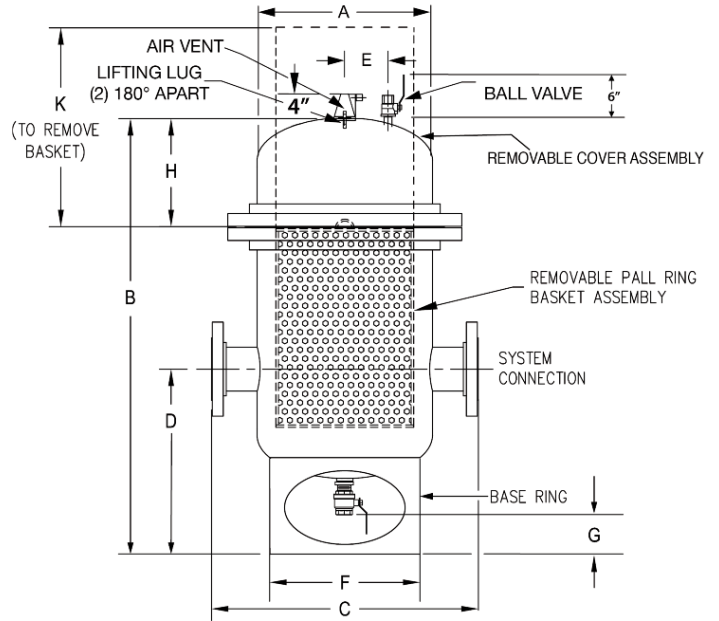
- Air Vent is suitable for water, max. 50% glycol
- Blowdown Valve
- Flush Valve

OPTIONS

- High Power Switchable On/Off Style Magnet-Consult factory
- Higher Design Pressures and Temperatures
 - 250 psi @ 240°F, Available
 - 300 psi @ 240°F, Available

SIZES & DIMENSIONS

All dimensions shown are subject to change and should not be used for prepping. Contact your local Taco representative should certified dimensional drawings be required.



PIPE SIZE	MODEL NUMBER	A DIA. (INCH)	B MAX. (INCH)	C (INCH)	D (INCH)	E (INCH)	F DIA. (INCH)	G (INCH)	H (INCH)	K (INCH)	GPM @ 4.9ft/sec	APPROX. WEIGHT (LBS.)
18	4918ADR-150	36	105 3/8	48	55 3/4	9	30	8 1/4	17	48	3673	2800
20	4920ADR-150	42	113 1/2	54	58 3/4	10 1/2	35	7 5/8	19	48	4561	4120
22	4922ADR-150	48	121 5/8	60	64 3/8	12	40	7 5/8	22	48	5300	5210
24	4924ADR-150	48	130 5/8	60	66 1/8	12	40	7 5/8	22	60	6347	5350
26	4926ADR-150	54	141	67	72 1/4	13 1/2	44	8	24	60	7647	7200
30	4930ADR-150	60	159	74	76 1/2	15	50	8 3/4	24 3/8	48	10262	10120
36	4936ADR-150	72	188	90	92	15	64	9	26 5/8	48	14905	12800

COMMENTS



4900 Series Removable Cover, Hi-Velocity Air Separators

Submittal Data

Submittal No: 401-218 | Effective: June 22, 2022 | Supersedes: November 30, 2017

JOB: _____

REPRESENTATIVE: _____

ENGINEER: _____

CONTRACTOR: _____

PRODUCT DATA

ITEM NO. _____ LOCATION _____

MODEL NO. _____ QUANTITY _____

GALLONS _____

SPECIFICATIONS

- Designed and constructed per ASME Code Section VIII Div. 1
- Registered with the National Board of Pressure Vessel Manufacturers
- Standard Design Pressure and Temperature: 150 psi @ 240°F
- Construction: Carbon Steel with exterior red oxide primer finish
- 304 Stainless Steel Coalescence Pall Rings
- Taco 4900 units are designed to be self-supporting in the piping system. Factory review is necessary should any piping loads be present.

CAUTION: LIFTING LUGS FOR RIGGING AND LIFTING USE ONLY, NOT FOR ANCHORING OR HANGING.

FACTORY INSTALLED

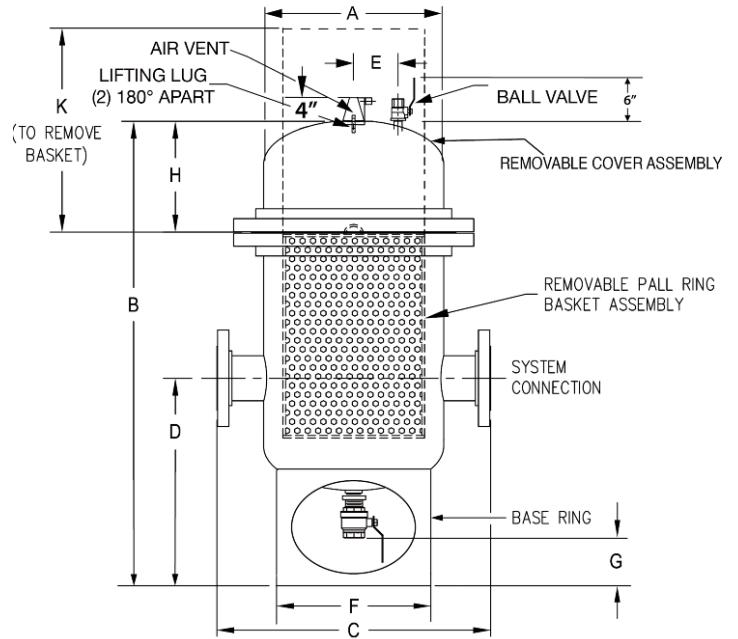
- Air Vent is suitable for water, max. 50% glycol
- Blowdown Valve
- Flush Valve

OPTIONS

- High Power Switchable On/Off Style Magnet-Consult factory
- Higher Design Pressures and Temperatures
 - 250 psi @ 240°F, Available
 - 300 psi @ 240°F, Available

SIZES & DIMENSIONS

All dimensions shown are subject to change and should not be used for prepping. Contact your local Taco representative should certified dimensional drawings be required.



PIPE SIZE	MODEL NUMBER	A DIA. (INCH)	B MAX. (INCH)	C (INCH)	D (INCH)	E (INCH)	F DIA. (INCH)	G (INCH)	H (INCH)	K (INCH)	GPM @ 11ft/sec	APPROX. WEIGHT (LBS.)
18	4918ADHR-150	42	134 5/16	54	67 3/4	10 1/2	35	7 5/8	19	48	8246	4250
20	4920ADHR-150	48	145 3/16	62	80 3/4	12	40	7 9/16	22	48	10238	5565
22	4922ADHR-150	54	157	68	87 1/4	13 1/2	44	8	24	60	11874	7490
24	4924ADHR-150	54	162	68	88 3/4	13 1/2	44	8	24	60	14245	7640
26	4926ADHR-150	60	179 3/4	76	98 1/4	15	54	8 3/4	24 3/8	48	17167	11505
30	4930ADHR-150	66	201	82	110	15	58	8 1/2	25	48	23037	11260
36	4936ADHR-150	84	234 3/16	104	129 1/4	15	72	9 7/16	33 5/8	48	33457	22900

COMMENTS

JOB: _____

REPRESENTATIVE: _____

ENGINEER: _____

CONTRACTOR: _____

PRODUCT DATA

ITEM NO. _____ LOCATION _____

MODEL NO. _____ QUANTITY _____

GPM _____

SPECIFICATIONS

- Designed and constructed per ASME Code Section VIII Div. 1
- Registered with the National Board of Pressure Vessel Manufacturers
- Standard Design Pressure and Temperature: 125 psi @ 240°F
- Construction: Carbon Steel with exterior red oxide primer finish
- 304 Stainless Steel Coalescence Pall Rings
- Taco 4900 units are designed to be self-supporting in the piping system. Factory review is necessary should any piping loads be present.

FACTORY INSTALLED

- Air Vent is suitable for water, max. 50% glycol
- Flush Valve

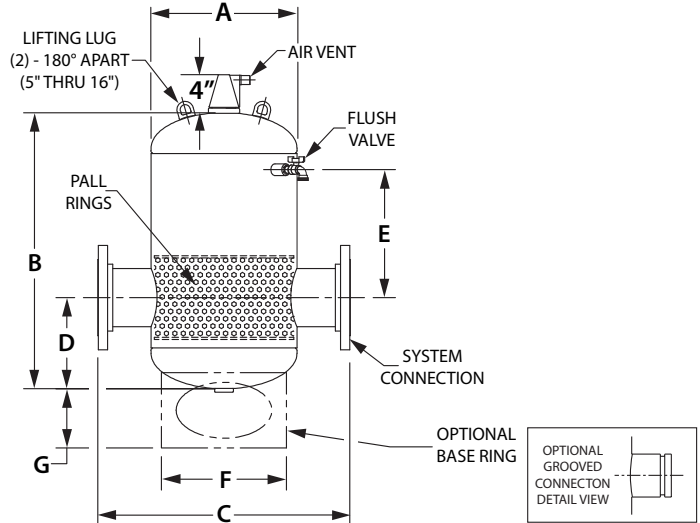
OPTIONS

- Higher Design Pressures and Temperatures
 - 150 psi @ 240°F or higher available
- Optional System Connection Sizes available
- Optional Connection Types
 - 'G' Grooved Pipe Connections up to 16"
- Optional Base Ring
 - Add Suffix 'R' (4905 thru 4916) Exp. 4912AD-125R
 - Not Available (4902 thru 4904)

CAUTION: LIFTING LUGS FOR RIGGING AND LIFTING USE ONLY, NOT FOR ANCHORING OR HANGING.

SIZES & DIMENSIONS

All dimensions shown are subject to change and should not be used for prepiping. Contact your local Taco representative should certified dimensional drawings be required.



PIPE SIZE	MODEL NUMBER (1)	A DIA. (INCH)	B MAX. (INCH)	C (INCH)	D (INCH)	E (INCH)	F DIA. (INCH)	G (INCH)	GPM @ 4.9 ft. /sec	APPROX. DRY WGT. (LBS)
2	4902AT-125	10	16 1/2	12*	7 1/2	3 7/8	-	-	51	30
2	4902A-125	10	16 1/2	20	7 1/2	3 7/8	-	-	51	45
2 1/2	49025AT-125	10	16 1/2	12*	7 1/2	3 7/8	-	-	73	40
2 1/2	49025A-125	10	16 1/2	20	7 1/2	3 7/8	-	-	73	50
3	4903AT-125	12	22 1/8	14 1/2*	8 1/2	7 1/2	-	-	113	65
3	4903A-125	12	22 1/8	22	7 1/2	7 1/2	-	-	113	75
4	4904A-125	12	22 1/8	22	7 1/2	7 1/2	-	-	204	80
5	4905A-125	14	28 3/8	24	10 1/2	12	12	6 3/4	306	200
6	4906A-125	14	28 3/8	24	10 1/2	12	12	6 3/4	469	215
8	4908A-125	18	36 5/8	28	13 1/4	16	14	7	816	290
10	4910A-125	24	47 3/4	36	16 7/8	22	20	6 3/4	1291	565
12	4912A-125	24	54 3/4	36	17 7/8	28	20	6 3/4	1837	645
14	4914A-125	30	62	42	22	29 1/2	24	8	2106	910
16	4916A-125	30	67 3/4	42	22	35 1/4	24	8	2790	965

(1) FOR 150 PSI MODEL NUMBERS, REPLACE -125 WITH -150 *DIMENSIONS FOR "T" OPTION ONLY - T OPTION REFERS TO FNPT CONNECTIONS

COMMENTS



JOB: _____

REPRESENTATIVE: _____

ENGINEER: _____

CONTRACTOR: _____

PRODUCT DATA

ITEM NO. _____ LOCATION _____

MODEL NO. _____ QUANTITY _____

GPM _____

SPECIFICATIONS

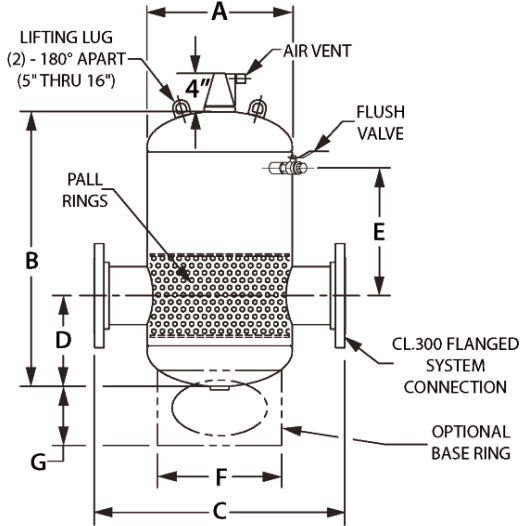
- Designed and constructed per ASME Code Section VIII Div. 1
- Registered with the National Board of Pressure Vessel Manufacturers
- Standard Design Pressure and Temperature: 250 psi @ 240°F
- Construction: Carbon Steel with exterior red oxide primer finish
- 304 Stainless Steel Coalescence Pall Rings
- Taco 4900 units are designed to be self-supporting in the piping system. Factory review is necessary should any piping loads be present.

FACTORY INSTALLED

- Air Vent is suitable for water, max. 50% glycol
- Flush Valve

OPTIONS

- Optional System Connection Sizes available
- Optional Base Ring
 - Add Suffix 'R' (4905 thru 4916) Exp. 4912AD-250R
 - Not Available (4902 thru 4904)
- Higher Pressures and Temperatures Available



CAUTION: LIFTING LUGS FOR RIGGING AND LIFTING USE ONLY, NOT FOR ANCHORING OR HANGING.



SIZES & DIMENSIONS

All dimensions shown are subject to change and should not be used for prepping. Contact your local Taco representative should certified dimensional drawings be required.

PIPE SIZE	MODEL NUMBER	A DIA. (INCH)	B MAX. (INCH)	C (INCH)	D (INCH)	E (INCH)	F DIA. (INCH)	G (INCH)	GPM @ 11 ft. /sec	APPROX. DRY WGT. (LBS)
2	4902AT-250	10	16 1/2	12	7 1/2	3 7/8	-	-	51	50
2	4902A-250	10	16 1/2	20	7 1/2	3 7/8	-	-	51	50
2 1/2	49025AT-250	10	16 1/2	12	7 1/2	3 7/8	-	-	73	60
2 1/2	49025A-250	10	16 1/2	20	7 1/2	3 7/8	-	-	73	60
3	4903AT-250	12	22 1/8	14 1/2	8 1/2	7 1/2	-	-	113	85
3	4903A-250	12	22 1/8	22	8 1/2	7 1/2	-	-	113	85
4	4904A-250	12	22 1/8	22	8 1/2	7 1/2	-	-	204	100
5	4905A-250	14	31	24	11 3/4	12	12	6 3/4	306	280
6	4906A-250	14	31	24	11 3/4	12	12	6 3/4	469	310
8	4908A-250	18	38 3/8	28	14 1/4	16	14	7	816	440
10	4910A-250	24	49	36	17 1/2	22	20	6 3/4	1291	820
12	4912A-250	24	56	36	18 1/2	28	20	6 3/4	1837	950
14	4914A-250	30	62 7/8	42	22 1/2	29 1/2	24	8	2106	1430
16	4916A-250	30	68 5/8	42	22 1/2	35 1/4	24	8	2790	1550

T option refers to FNPT connections

COMMENTS

JOB: _____

REPRESENTATIVE: _____

ENGINEER: _____

CONTRACTOR: _____

PRODUCT DATA

ITEM NO. _____ LOCATION _____

MODEL NO. _____ QUANTITY _____

GPM _____

SPECIFICATIONS

- Designed and constructed per ASME Code Section VIII Div. 1
- Registered with the National Board of Pressure Vessel Manufacturers
- Standard Design Pressure and Temperature: 150 psi @ 240°F
- Particle removal down to 5 microns
- Construction: Carbon Steel with exterior red oxide primer finish
- 304 Stainless Steel Coalescence Pall Rings

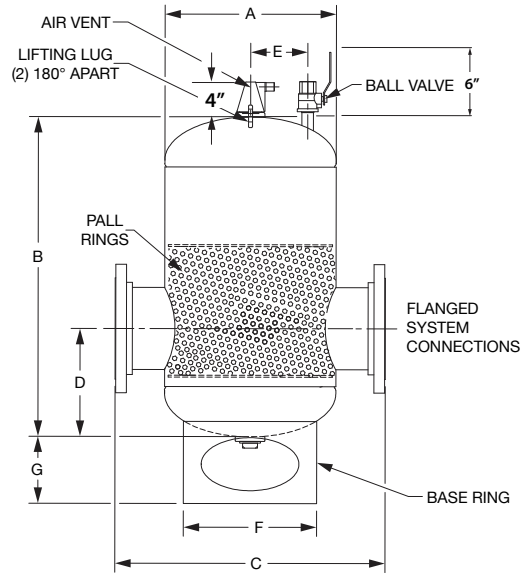
FACTORY INSTALLED

- Air Vent is suitable for water, max. 50% glycol
- Flush Valve

OPTIONS

- Higher design pressures and temperatures - Consult factory
- Base Ring
 - Standard on (4918 thru 4936)

CAUTION: LIFTING LUGS FOR RIGGING AND LIFTING USE ONLY, NOT FOR ANCHORING OR HANGING.



SIZES & DIMENSIONS

All dimensions shown are subject to change and should not be used for prepping. Contact your local Taco representative should certified dimensional drawings be required.

PIPE SIZE	MODEL NUMBER	A DIA. (INCH)	B MAX. (INCH)	C (INCH)	D (INCH)	E (INCH)	F DIA. (INCH)	G (INCH)	GPM @ 4.9ft/sec	APPROX. WEIGHT (LBS.)
18	4918A-150	36	75 1/2	48	26 7/8	9	30	7 11/16	3673	1480
20	4920A-150	42	84	54	29 7/8	10 1/2	35	7 5/8	4561	2180
22	4922A-150	48	91	60	33 3/8	12	40	8 7/16	5300	2875
24	4924A-150	48	98	60	33 3/8	12	40	8 7/16	6346	3100
26	4926A-150	54	106 1/2	67	37 1/4	13 1/2	44	9 1/2	7647	4270
30	4930A-150	60	122 1/2	74	40 7/8	15	50	9 7/8	10262	6365
36	4936A-150	72	146	90	50 5/8	15	64	12 3/4	14905	10930

COMMENTS

JOB: _____

REPRESENTATIVE: _____

ENGINEER: _____

CONTRACTOR: _____

PRODUCT DATA

ITEM NO. _____ LOCATION _____

MODEL NO. _____ QUANTITY _____

GPM _____

SPECIFICATIONS

- Designed and constructed per ASME Code Section VIII Div. 1
- Registered with the National Board of Pressure Vessel Manufacturers
- Standard Design Pressure and Temperature: 125 psi @ 240°F
- Particle removal down to 5 microns
- Construction: Carbon Steel with exterior red oxide primer finish
- 304 Stainless Steel Coalescence Pall Rings
- Taco 4900 units are designed to be self-supporting in the piping system. Factory review is necessary should any piping loads be present.

FACTORY INSTALLED

- Air Vent is suitable for water, max. 50% glycol
- Flush Valve

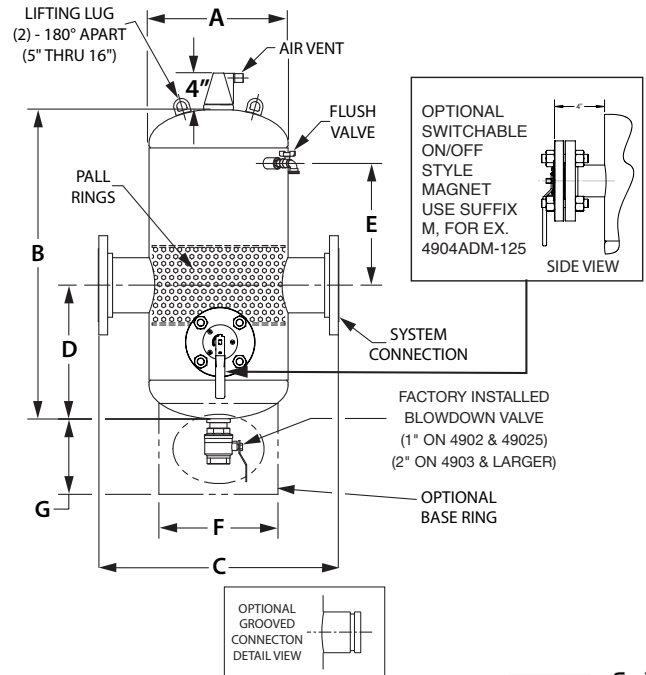
OPTIONS

- Higher Design Pressures and Temperatures
 - 150 psi @ 240°F or higher available
- Optional System Connection Sizes available
- Optional Connection Types
 - 'G' Grooved Pipe Connections up to 16"
- Optional Base Ring
 - Add Suffix 'R' (4905 thru 4916) Exp. 4912AD-125R
 - Not Available (4902 thru 4904)
- High Power Switchable On/Off Style Magnet

CAUTION: LIFTING LUGS FOR RIGGING AND LIFTING USE ONLY, NOT FOR ANCHORING OR HANGING.

SIZES & DIMENSIONS

All dimensions shown are subject to change and should not be used for prepping. Contact your local Taco representative should certified dimensional drawings be required.



PIPE SIZE	MODEL NUMBER (1)	A DIA. (INCH)	B MAX. (INCH)	C (INCH)	D (INCH)	E (INCH)	F DIA. (INCH)	G (INCH)	GPM @ 4.9ft/sec	APPROX. DRY WT. (LBS)
2	4902ADT-125	10	16 1/2	12*	7 1/2	3 7/8	-	-	51	30
2	4902AD-125	10	16 1/2	20	7 1/2	3 7/8	-	-	51	45
2 1/2	49025ADT-125	10	16 1/2	12*	7 1/2	3 7/8	-	-	73	40
2 1/2	49025AD-125	10	16 1/2	20	7 1/2	3 7/8	-	-	73	50
3	4903ADT-125	12	25 1/8	14 1/2*	11 1/2	7 1/2	-	-	113	75
3	4903AD-125	12	25 1/8	22	11 1/2	7 1/2	-	-	113	85
4	4904AD-125	12	25 1/8	22	11 1/2	7 1/2	-	-	204	90
5	4905AD-125	14	33 5/8	24	15 3/4	12	13 1/2	12 3/8	306	230
6	4906AD-125	14	33 5/8	24	15 3/4	12	13 1/2	12 3/8	469	245
8	4908AD-125	18	41 1/2	28	18 1/8	16	17 1/2	12 5/8	816	325
10	4910AD-125	24	56 1/4	36	25 3/8	22	20	12 7/8	1291	615
12	4912AD-125	24	63 1/4	36	26 3/8	28	20	12 7/8	1837	695
14	4914AD-125	30	73	42	33	29 1/2	24	13 3/4	2106	1000
16	4916AD-125	30	79 3/4	42	34	35 1/4	24	13 3/4	2790	1055

(1) FOR 150 PSI MODEL NUMBERS, REPLACE -125 WITH -150 *DIMENSIONS FOR "T" OPTION ONLY - T OPTION REFERS TO FNPT CONNECTIONS

COMMENTS



JOB: _____

REPRESENTATIVE: _____

ENGINEER: _____

CONTRACTOR: _____

PRODUCT DATA

ITEM NO. _____ LOCATION _____

MODEL NO. _____ QUANTITY _____

GPM _____

SPECIFICATIONS

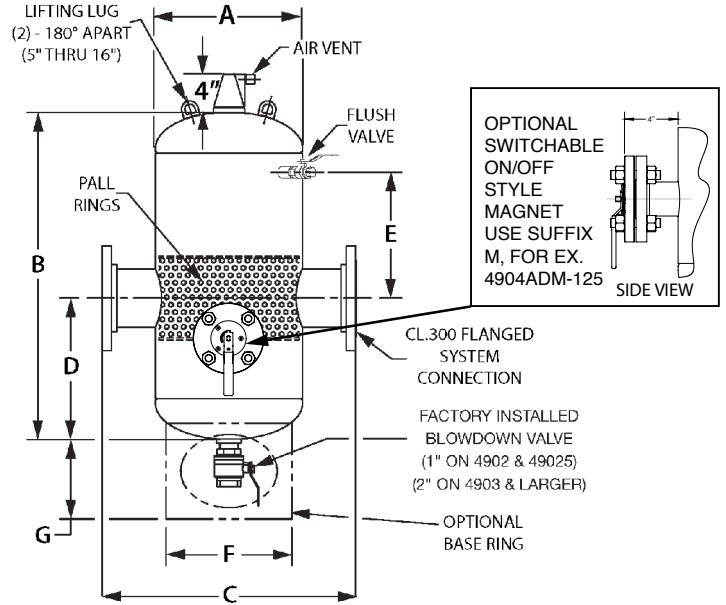
- Designed and constructed per ASME Code Section VIII Div. 1
- Registered with the National Board of Pressure Vessel Manufacturers
- Standard Design Pressure and Temperature: 250 psi @ 240°F
- Particle removal down to 5 microns
- Construction: Carbon Steel with exterior red oxide primer finish
- 304 Stainless Steel Coalescence Pall Rings
- Taco 4900 units are designed to be self-supporting in the piping system. Factory review is necessary should any piping loads be present.

FACTORY INSTALLED

- Air Vent is suitable for water, max. 50% glycol
- Blowdown Valve
- Flush Valve

OPTIONS

- Optional System Connection Sizes available
- Optional Base Ring
 - Add Suffix 'R' (4905 thru 4916) Exp. 4912AD-125R
 - Not Available (4902 thru 4904)
- Higher Pressures and Temperatures Available
- High Power Switchable On/Off Style Magnet



CAUTION: LIFTING LUGS FOR RIGGING AND LIFTING USE ONLY, NOT FOR ANCHORING OR HANGING.

SIZES & DIMENSIONS

All dimensions shown are subject to change and should not be used for prepping. Contact your local Taco representative should certified dimensional drawings be required.



PIPE SIZE	MODEL NUMBER	A DIA. (INCH)	B MAX. (INCH)	C (INCH)	D (INCH)	E (INCH)	F DIA. (INCH)	G (INCH)	GPM @ 4.9ft/sec	APPROX. DRY WGT. (LBS)
2	4902ADT-250	10	16 1/2	12	7 1/2	3 7/8	-	-	51	50
2	4902AD-250	10	16 1/2	20	7 1/2	3 7/8	-	-	51	50
2 1/2	49025ADT-250	10	16 1/2	12	7 1/2	3 7/8	-	-	73	60
2 1/2	49025AD-250	10	16 1/2	22	7 1/2	3 7/8	-	-	73	60
3	4903ADT-250	12	25 1/8	14 1/2	11 1/2	7 1/2	-	-	113	60
3	4903AD-250	12	25 1/8	24	11 1/2	7 1/2	-	-	113	95
4	4904AD-250	12	25 1/8	22	11 1/2	7 1/2	-	-	204	110
5	4905AD-250	14	36 1/4	24	15 3/4	12	13 1/2	12 3/8	306	320
6	4906AD-250	14	36 1/4	24	15 3/4	12	13 1/2	12 3/8	469	350
8	4908AD-250	18	43 3/8	28	18 1/8	16	17 1/2	12 5/8	816	480
10	4910AD-250	24	57 5/8	36	25 3/8	22	20	12 7/8	1291	880
12	4912AD-250	24	64 5/8	36	26 3/8	28	20	12 7/8	1837	1010
14	4914AD-250	30	73 7/8	42	33	29 1/2	24	13 3/4	2106	1550
16	4916AD-250	30	80 5/8	42	34	35 1/4	24	13 3/4	2790	1670

T option refers to FNPT connections

COMMENTS

4900 Series Air/Dirt Separators

Submittal Data

Submittal No: 401-092 | Effective: May 6, 2022 | Supersedes: January 5, 2017

JOB: _____

REPRESENTATIVE: _____

ENGINEER: _____

CONTRACTOR: _____

PRODUCT DATA

ITEM NO. _____ LOCATION _____

MODEL NO. _____ QUANTITY _____

GALLONS _____

SPECIFICATIONS

- Designed and constructed per ASME Code Section VIII Div. 1
- Registered with the National Board of Pressure Vessel Manufacturers
- Standard Design Pressure and Temperature: 150 psi @ 240°F
- Particle removal down to 5 microns
- Construction: Carbon Steel with exterior red oxide primer finish
- 304 Stainless Steel Coalescence Pall Rings

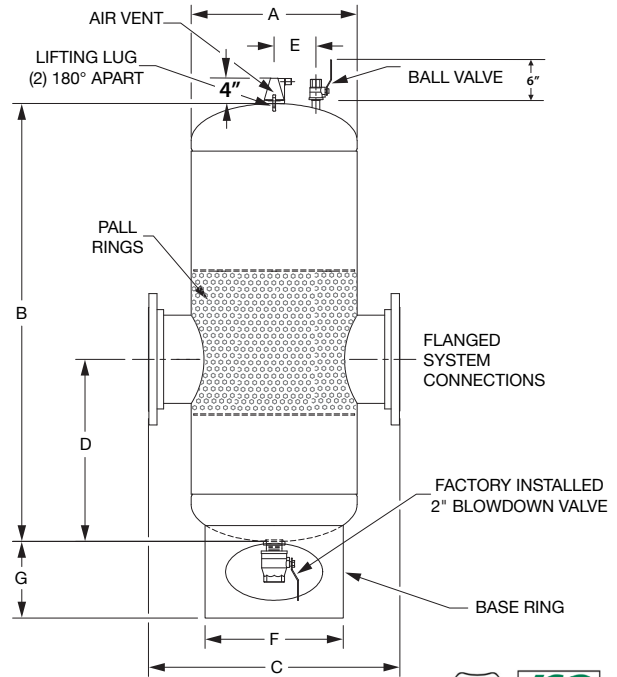
CAUTION: LIFTING LUGS FOR RIGGING AND LIFTING USE ONLY, NOT FOR ANCHORING OR HANGING.

FACTORY INSTALLED

- Air Vent is suitable for water, max. 50% glycol
- Blowdown Valve
- Flush Valve

OPTIONS

- High Power Switchable On/Off Style Magnet-Consult factory
- Higher Design Pressures and Temperatures-Consult factory
- Base Ring Standard on (4918 thru 4936)



SIZES & DIMENSIONS

All dimensions shown are subject to change and should not be used for prepping. Contact your local Taco representative should certified dimensional drawings be required.

PIPE SIZE	MODEL NUMBER	A DIA. (INCH)	B MAX. (INCH)	C (INCH)	D (INCH)	E (INCH)	F DIA. (INCH)	G (INCH)	GPM @ 4.9ft/sec	APPROX. WEIGHT (LBS.)
18	4918AD-150	36	91	48	42 1/4	9	30	13 1/2	3673	1650
20	4920AD-150	42	100	54	45 3/4	10 1/2	38	12 3/4	4561	2410
22	4922AD-150	48	109	60	51 11/16	12	44	12 5/8	5300	3190
24	4924AD-150	48	118	60	53 1/2	12	44	12 5/8	6346	3360
26	4926AD-150	54	127	67	57 11/16	13 1/2	50	13 1/8	7647	4620
30	4930AD-150	60	145	74	62 1/2	15	54	14	10262	7050
36	4936AD-150	72	172	90	76 5/16	15	66	15 3/4	14905	12030

COMMENTS

4900 Series Hi-Velocity Air/Dirt Separators

Submittal Data

Submittal No: 401-135 | Effective: May 6, 2022 | Supersedes: January 10, 2017

JOB: _____

REPRESENTATIVE: _____

ENGINEER: _____

CONTRACTOR: _____

PRODUCT DATA

ITEM NO. _____ LOCATION _____

MODEL NO. _____ QUANTITY _____

GPM _____

SPECIFICATIONS

- Designed and constructed per ASME Code Section VIII Div. 1
- Registered with the National Board of Pressure Vessel Manufacturers
- Standard Design Pressure and Temperature: 125 psi @ 240°F
- Particle removal down to 5 microns
- Construction: Carbon Steel with exterior red oxide primer finish
- 304 Stainless Steel Coalescence Pall Rings
- Taco 4900 units are designed to be self-supporting in the piping system. Factory review is necessary should any piping loads be present.

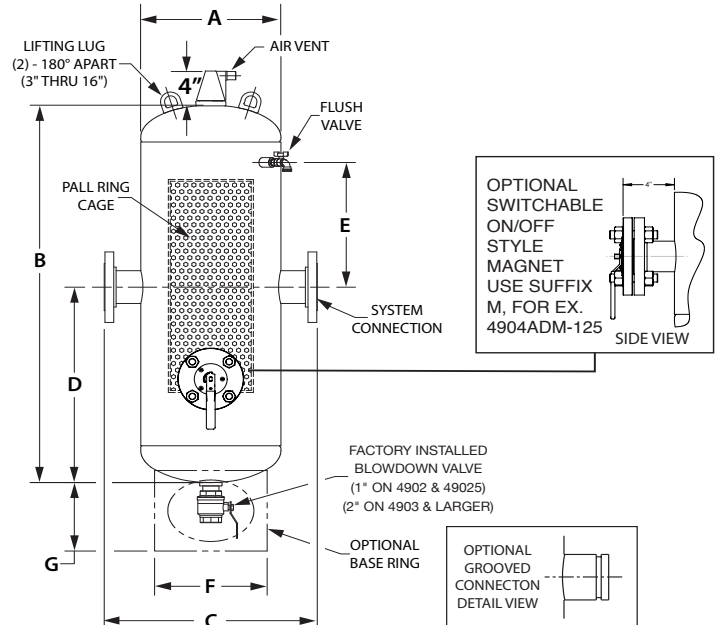
FACTORY INSTALLED

- Air Vent is suitable for water, max. 50% glycol
- Blowdown Valve
- Flush Valve

OPTIONS

- Higher Design Pressures and Temperatures
 - 150 psi @ 240°F, Available
- Optional System Connection Sizes available
- Optional Connection Types
 - 'G' Grooved Pipe Connections up to 16"
- Optional Base Ring
 - Add Suffix 'R' (4905 thru 4916) Exp. 4912AD-125R
 - Not Available (4902 thru 4904)
- High Power Switchable On/Off Style Magnet
 - For models above 30" diameter - Consult Factory

CAUTION: LIFTING LUGS FOR RIGGING AND LIFTING USE ONLY, NOT FOR ANCHORING OR HANGING.



SIZES & DIMENSIONS

All dimensions shown are subject to change and should not be used for prepping. Contact your local Taco representative should certified dimensional drawings be required.

PIPE SIZE	MODEL NUMBER (1)	A DIA. (INCH)	B MAX. (INCH)	C (INCH)	D (INCH)	E (INCH)	F DIA. (INCH)	G (INCH)	GPM @ 11 ft. /sec	APPROX. DRY WGT. (LBS)
2	4902ADHT-125	12	32	14*	16	10	-	-	115	100
2	4902ADH-125	12	32	22	16	10	-	-	115	100
2 1/2	49025ADHT-125	12	32	14*	16	10	-	-	165	105
2 1/2	49025ADH-125	12	32	22	16	10	-	-	165	105
3	4903ADHT-125	14	40 1/4	16 1/2*	20 1/8	14 1/4	-	-	253	120
3	4903ADH-125	14	40 1/4	24	20 1/8	14 1/4	-	-	253	120
4	4904ADH-125	14	40 1/4	24	20 1/8	14 1/4	-	-	458	130
5	4905ADH-125	20	57 1/2	30	28 3/4	21	18	13	686	255
6	4906ADH-125	20	57 1/2	30	28 3/4	21	18	13	1015	270
8	4908ADH-125	24	69 1/4	34	34 5/8	25 3/4	20	13 1/8	1730	520
10	4910ADH-125	30	86	42	43	32 1/2	24	13 3/4	2718	735
12	4912ADH-125	30	86	42	43	32 1/2	24	13 3/4	4124	785
14	4914ADH-125	36	103	48	51 1/2	39 1/2	30	13 5/8	4727	1100
16	4916ADH-125	36	103	48	51 1/2	39 1/2	30	13 5/8	6262	1125

(1) FOR 150 PSI MODEL NUMBERS, REPLACE -125 WITH -150 *DIMENSIONS FOR "T" OPTION ONLY - T option refers to FNPT connections

COMMENTS

JOB: _____

REPRESENTATIVE: _____

ENGINEER: _____

CONTRACTOR: _____

PRODUCT DATA

ITEM NO. _____ LOCATION _____

MODEL NO. _____ QUANTITY _____

GPM _____

SPECIFICATIONS

- Designed and constructed per ASME Code Section VIII Div. 1
- Registered with the National Board of Pressure Vessel Manufacturers
- Standard Design Pressure and Temperature: 250 psi @ 240°F
- Particle removal down to 5 microns
- Construction: Carbon Steel with exterior red oxide primer finish
- 304 Stainless Steel Coalescence Pall Rings
- Taco 4900 units are designed to be self-supporting in the piping system. Factory review is necessary should any piping loads be present.

FACTORY INSTALLED

- Air Vent is suitable for water, max. 50% glycol
- Blowdown Valve
- Flush Valve

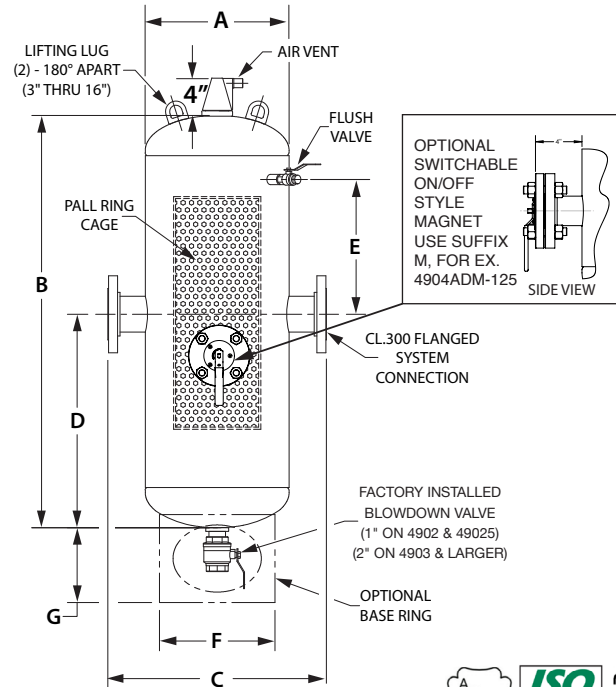
OPTIONS

- Optional System Connection Sizes available
- Optional Base Ring
 - Add Suffix 'R' (4905 thru 4916) Exp. 4912AD-250R
 - Not Available (4902 thru 4904)
- Higher Pressures and Temperatures Available
- High Power Switchable On/Off Style Magnet
 - For Models above 30" diameter - Consult Factory

CAUTION: LIFTING LUGS FOR RIGGING AND LIFTING USE ONLY, NOT FOR ANCHORING OR HANGING.

SIZES & DIMENSIONS

All dimensions shown are subject to change and should not be used for prepping. Contact your local Taco representative should certified dimensional drawings be required.



PIPE SIZE	MODEL NUMBER	A DIA. (INCH)	B MAX. (INCH)	C (INCH)	D (INCH)	E (INCH)	F DIA. (INCH)	G (INCH)	GPM @ 11 ft./sec	APPROX. DRY WGT. (LBS)
2	4902ADHT-250	12	32	14	16	10	-	-	115	105
2	4902ADH-250	12	32	22	16	10	-	-	115	105
2 1/2	49025ADHT-250	12	32	14	16	10	-	-	165	115
2 1/2	49025ADH-250	12	32	22	16	10	-	-	165	115
3	4903ADHT-250	14	43	16 1/2	21 1/2	14 1/4	-	-	253	160
3	4903ADH-250	14	43	24	21 1/2	14 1/4	-	-	253	160
4	4904ADH-250	14	43	24	21 1/2	14 1/4	-	-	458	185
5	4905ADH-250	20	59 1/2	30	29 3/4	21	18	13	686	360
6	4906ADH-250	20	59 1/2	30	29 3/4	21	18	13	1015	390
8	4908ADH-250	24	70 5/8	34	35 1/4	25 3/4	20	13 1/8	1730	740
10	4910ADH-250	30	86 7/8	42	43 1/2	32 1/2	24	13 3/4	2718	1100
12	4912ADH-250	30	86 7/8	42	43 1/2	32 1/2	24	13 3/4	4124	1200
14	4914ADH-250	36	104 1/4	48	51 1/8	39 1/2	30	13 5/8	4727	1690
16	4916ADH-250	36	104 1/4	48	51 1/8	39 1/2	30	13 5/8	6262	1760

T option refers to FNPT connections

COMMENTS



JOB: _____

REPRESENTATIVE: _____

ENGINEER: _____

CONTRACTOR: _____

PRODUCT DATA

ITEM NO. _____ LOCATION _____

MODEL NO. _____ QUANTITY _____

GPM _____

SPECIFICATIONS

- Designed and constructed per ASME Code Section VIII Div. 1
- Registered with the National Board of Pressure Vessel Manufacturers
- Standard Design Pressure and Temperature: 150 psi @ 240°F
- Particle removal down to 5 microns
- Construction: Carbon Steel with exterior red oxide primer finish
- 304 Stainless Steel Coalescence Pall Rings
- Taco 4900 units are designed to be self-supporting in the piping system. Factory review is necessary should any piping loads be present.

FACTORY INSTALLED

- Air Vent is suitable for water, max. 50% glycol
- Blowdown Valve
- Flush Valve

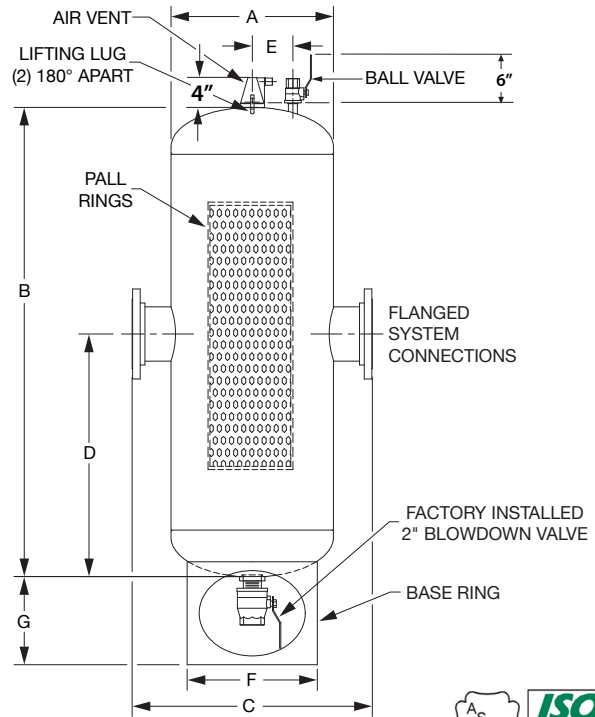
OPTIONS

- Higher Design Pressures and Temperatures - Consult factory
- Base Ring
 - Standard on (4918 thru 4936)
- High Power Switchable On/Off Style Magnet - Consult factory

CAUTION: LIFTING LUGS FOR RIGGING AND LIFTING USE ONLY, NOT FOR ANCHORING OR HANGING.

SIZES & DIMENSIONS

All dimensions shown are subject to change and should not be used for prepping. Contact your local Taco representative should certified dimensional drawings be required.



PIPE SIZE	MODEL NUMBER	A DIA. (INCH)	B MAX. (INCH)	C (INCH)	D (INCH)	E (INCH)	F DIA. (INCH)	G (INCH)	GPM @ 11 ft. /sec	APPROX. WEIGHT (LBS.)
18	4918ADH-150	42	121	57	61 3/4	10 1/2	38	12 3/4	8246	2930
20	4920ADH-150	48	132	62	67 9/16	12	44	12 5/8	10238	3705
22	4922ADH-150	54	143	67	75 3/4	13 1/2	50	13 1/8	11874	5350
24	4924ADH-150	54	148	67	72 3/4	13 1/2	50	13 1/8	14245	5890
26	4926ADH-150	60	165	74 1/2	84 1/4	15	54	14	17167	8430
30	4930ADH-150	66	186	82	95 1/4	15	60	14 13/16	23037	10630
36	4936ADH-150	84	219	104	113 7/8	15	78	15 3/8	33457	21460

COMMENTS



4900 Series Removable Cover, Hi-Velocity Air/Dirt Separators

Submittal Data

Submittal No: 401-178 | Effective: June 19, 2023 | Supersedes: May 6, 2022

JOB: _____

REPRESENTATIVE: _____

ENGINEER: _____

CONTRACTOR: _____

PRODUCT DATA

ITEM NO. _____ LOCATION _____

MODEL NO. _____ QUANTITY _____

GPM _____

SPECIFICATIONS

- Designed and constructed per ASME Code Section VIII Div. 1
- Registered with the National Board of Pressure Vessel Manufacturers
- Standard Design Pressure and Temperature: 125 psi @ 240°F
- Particle removal down to 5 microns
- Construction: Carbon Steel with exterior red oxide primer finish
- 304 Stainless Steel Coalescence Pall Rings
- Taco 4900 units are designed to be self-supporting in the piping system. Factory review is necessary should any piping loads be present.

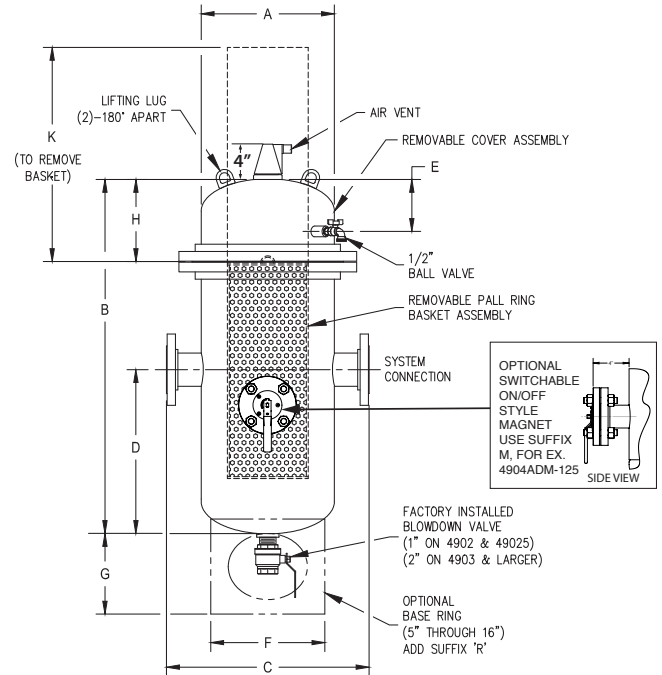
CAUTION: LIFTING LUGS FOR RIGGING AND LIFTING USE ONLY, NOT FOR ANCHORING OR HANGING.

FACTORY INSTALLED

- Air Vent is suitable for water, max. 50% glycol
- Blowdown Valve
- Flush Valve

OPTIONS

- Higher Design Pressures and Temperatures
 - 150 psi @ 240°F or higher available
- Optional System Connection Sizes
- Optional Base Ring
 - Add Suffix 'R' (4905 thru 4916) Exp. 4912AD-125R
 - Not Available (4902 thru 4904)
- High Power Switchable On/Off Style Magnet
 - For Models above 30" diameter - Consult Factory



SIZES & DIMENSIONS

All dimensions shown are subject to change and should not be used for prepping. Contact your local Taco representative should certified dimensional drawings be required.

PIPE SIZE	MODEL NUMBER (1)	A DIA. (INCH)	B MAX. (INCH)	C (INCH)	D (INCH)	E (INCH)	F DIA. (INCH)	G (INCH)	H (INCH)	K (INCH)	GPM @ 11 ft./sec	APPROX. WGT. (LBS)
2	4902ADHTR-125	12	32	14*	16 1/8	6	—	—	9	18	115	150
2	4902ADHR-125	12	32	22	16 1/8	6	—	—	9	18	115	150
2 1/2	49025ADHTR-125	12	32	14*	16 1/8	6	—	—	9	18	165	155
2 1/2	49025ADHR-125	12	32	22	16 1/8	6	—	—	9	18	165	155
3	4903ADHTR-125	14	28 1/2	16 1/2*	11	6	12	6 3/4	10	16	253	280
3	4903ADHR-125	14	28 1/2	24	11	6	12	6 3/4	10	16	253	280
4	4904ADHR-125	14	40 1/4	24	20 1/4	6	—	—	10	25	458	310
5	4905ADHR-125	20	57 1/2	30	28 3/4	7 1/4	18	13	13	36	686	585
6	4906ADHR-125	20	57 1/2	30	28 3/4	8 7/8	18	13	13	36	1015	600
8	4908ADHR-125	24	69 1/4	34	34 5/8	8 7/8	20	12 7/8	15	45	1730	960
10	4910ADHR-125	30	87	42	43	10 1/2	24	13 3/4	18	57	2718	1130
12	4912ADHR-125	30	87	42	43	10 1/2	24	13 3/4	18	57	4124	1180
14	4914ADHR-125	36	103	48	48	12 1/2	30	13 3/4	20	69	4727	1660
16	4916ADHR-125	36	103	48	48	12 1/2	30	13 3/4	20	69	6262	1690

(1) FOR 150 PSI MODEL NUMBERS, REPLACE -125 WITH -150 *DIMENSIONS FOR "T" OPTION ONLY - T OPTION REFERS TO FNPT CON

COMMENTS



4900 Series Removable Cover, Air/Dirt Separators

Submittal Data

Submittal No: 401-176 | Effective: June 19, 2023 | Supersedes: May 6, 2022

JOB: _____

REPRESENTATIVE: _____

ENGINEER: _____

CONTRACTOR: _____

PRODUCT DATA

ITEM NO. _____ LOCATION _____

MODEL NO. _____ QUANTITY _____

GPM _____

SPECIFICATIONS

- Designed and constructed per ASME Code Section VIII Div. 1
- Registered with the National Board of Pressure Vessel Manufacturers
- Standard Design Pressure and Temperature: 125 psi @ 240°F
- Particle removal down to 5 microns
- Construction: Carbon Steel with exterior red oxide primer finish
- 304 Stainless Steel Coalescence Pall Rings
- Taco 4900 units are designed to be self-supporting in the piping system. Factory review is necessary should any piping loads be present.

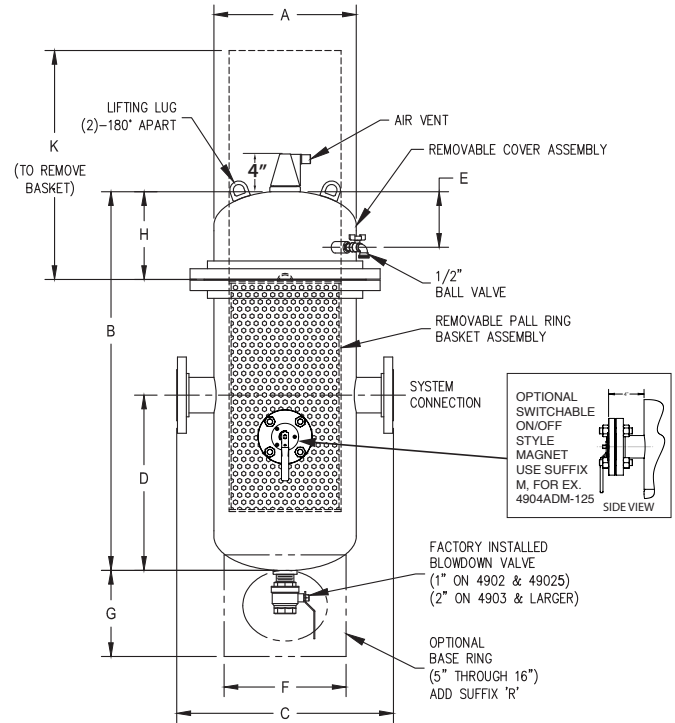
CAUTION: LIFTING LUGS FOR RIGGING AND LIFTING USE ONLY, NOT FOR ANCHORING OR HANGING.

FACTORY INSTALLED

- Air Vent is suitable for water, max. 50% glycol
- Blowdown Valve
- Flush Valve

OPTIONS

- Higher Design Pressures and Temperatures
 - 150 psi @ 240°F or higher available
- Optional System Connection Sizes
- Optional Base Ring
 - Add Suffix 'R' (4905 thru 4916) Exp. 4912AD-125R
 - Not Available (4902 thru 4904)
- High Power Switchable On/Off Style Magnet



SIZES & DIMENSIONS

All dimensions shown are subject to change and should not be used for prepping. Contact your local Taco representative should certified dimensional drawings be required.

PIPE SIZE	MODEL NUMBER (1)	A DIA. (INCH)	B MAX. (INCH)	C (INCH)	D (INCH)	E (INCH)	F DIA. (INCH)	G (INCH)	H (INCH)	K (INCH)	GPM @ 4.9 ft. /sec.	APPROX. WGT. (LBS)
2	4902ADTR-125	10	20	12*	7 1/2	5 1/4	-	-	8	11	51	85
2	4902ADR-125	10	20	20	7 1/2	5 1/4	-	-	8	11	51	85
2 1/2	49025ADTR-125	10	20	12*	7 1/2	5 1/4	-	-	8	11	73	90
2 1/2	49025ADR-125	10	20	20	7 1/2	5 1/4	-	-	8	11	73	90
3	4903ADTR-125	12	26	14 1/2*	11 5/8	6	-	-	9	14	113	135
3	4903ADR-125	12	26	22	11 5/8	6	-	-	9	14	113	135
4	4904ADR-125	12	26	22	11 5/8	6	-	-	9	14	204	140
5	4905ADR-125	14	34 1/2	24	15 3/4	6	-	-	10	21	306	430
6	4906ADR-125	14	34 1/2	24	15 3/4	6	-	-	10	21	469	440
8	4908ADR-125	18	41 1/2	28	18 1/8	7 1/4	17 1/2	12 5/8	12	25	816	630
10	4910ADR-125	24	56 1/4	36	25 3/8	8 7/8	20	12 7/8	15	35	1291	1155
12	4912ADR-125	24	63 1/4	36	26 3/8	8 7/8	20	12 7/8	15	39	1837	1180
14	4914ADR-125	30	74	42	33	10 1/2	24	13 3/4	18	44	2106	1550
16	4916ADR-125	30	80 3/4	42	34	10 1/2	24	13 3/4	18	51	2790	1580

(1) FOR 150 PSI MODEL NUMBERS, REPLACE -125 WITH -150 *DIMENSIONS FOR "T" OPTION ONLY - T OPTION REFERS TO FNPT CONNECTIONS

COMMENTS

4900 Series Hi-Velocity Air Separators

Submittal Data

Submittal No: 401-136 | Effective: May 6, 2022 | Supersedes: January 10, 2017

JOB: _____

REPRESENTATIVE: _____

ENGINEER: _____

CONTRACTOR: _____

PRODUCT DATA

ITEM NO. _____ LOCATION _____

MODEL NO. _____ QUANTITY _____

GPM _____

SPECIFICATIONS

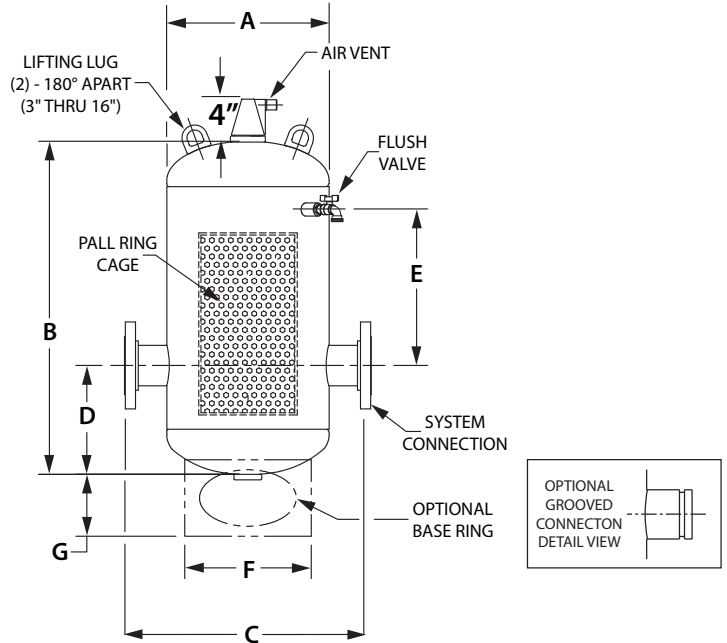
- Designed and constructed per ASME Code Section VIII Div. 1
- Registered with the National Board of Pressure Vessel Manufacturers
- Standard Design Pressure and Temperature: 125 psi @ 240°F
- Optional Design Pressure and Temperature: 150 psi @ 240°F
- Construction: Carbon Steel with exterior red oxide primer finish
- 304 Stainless Steel Coalescence Pall Rings
- Taco 4900 units are designed to be self-supporting in the piping system. Factory review is necessary should any piping loads be present.

FACTORY INSTALLED

- Air Vent is suitable for water, max. 50% glycol
- Flush Valve

OPTIONS

- Higher Design Pressures and Temperatures
 - 150 psi @ 240°F or higher available
- Optional System Connection Sizes
- Optional Connection Types
 - 'G' Grooved Pipe Connections up to 16"
- Optional Base Ring
 - Add Suffix 'R' (4905 thru 4916) Exp. 4912AD-125R



CAUTION: LIFTING LUGS FOR RIGGING AND LIFTING USE ONLY, NOT FOR ANCHORING OR HANGING.



SIZES & DIMENSIONS

All dimensions shown are subject to change and should not be used for prepping. Contact your local Taco representative should certified dimensional drawings be required.

PIPE SIZE	MODEL NUMBER (1)	A DIA. (INCH)	B MAX. (INCH)	C (INCH)	D (INCH)	E (INCH)	F DIA. (INCH)	G (INCH)	GPM @ 11ft./sec	APPROX. DRY WGT. (LBS)
2	4902AHT-125	12	25	14*	10	9	-	-	115	85
2	4902AH-125	12	25	22	10	9	-	-	115	85
2 1/2	49025AHT-125	12	25	14*	10	9	-	-	165	90
2 1/2	49025AH-125	12	25	22	10	9	-	-	165	90
3	4903AHT-125	14	28 1/2	16 1/2	10 7/8	11 3/4	-	-	253	100
3	4903AH-125	14	28 1/2	24	10 7/8	11 3/4	-	-	253	100
4	4904AH-125	14	28 1/2	24	10 7/8	11 3/4	-	-	458	110
5	4905AH-125	20	40	30	14 1/4	18	16	6 3/4	686	190
6	4906AH-125	20	40	30	14 1/4	18	16	6 3/4	1015	205
8	4908AH-125	24	47 1/2	34	16 7/8	21 3/4	20	7	1731	430
10	4910AH-125	30	59 1/2	42	20 1/2	28 1/2	24	8	2718	600
12	4912AH-125	30	59 1/2	42	20 1/2	28 1/2	24	8	4127	650
14	4914AH-125	36	72	48	24	36	30	8	4727	940
16	4916AH-125	36	72	48	24	36	30	8	6262	965

(1) FOR 150 PSI MODEL NUMBERS, REPLACE -125 WITH -150 *DIMENSIONS FOR "T" OPTION ONLY - T OPTION REFERS TO FNPT CONNECTIONS

COMMENTS

4900 Series Hi-Velocity Air Separators

Submittal Data

Submittal No: 401-202 | Effective: May 6, 2022 | Supersedes: January 10, 2017

JOB: _____

REPRESENTATIVE: _____

ENGINEER: _____

CONTRACTOR: _____

PRODUCT DATA

ITEM NO. _____ LOCATION _____

MODEL NO. _____ QUANTITY _____

GPM _____

SPECIFICATIONS

- Designed and constructed per ASME Code Section VIII Div. 1
- Registered with the National Board of Pressure Vessel Manufacturers
- Standard Design Pressure and Temperature: 250 psi @ 240°F
- Construction: Carbon Steel with exterior red oxide primer finish
- 304 Stainless Steel Coalescence Pall Rings
- Taco 4900 units are designed to be self-supporting in the piping system. Factory review is necessary should any piping loads be present.

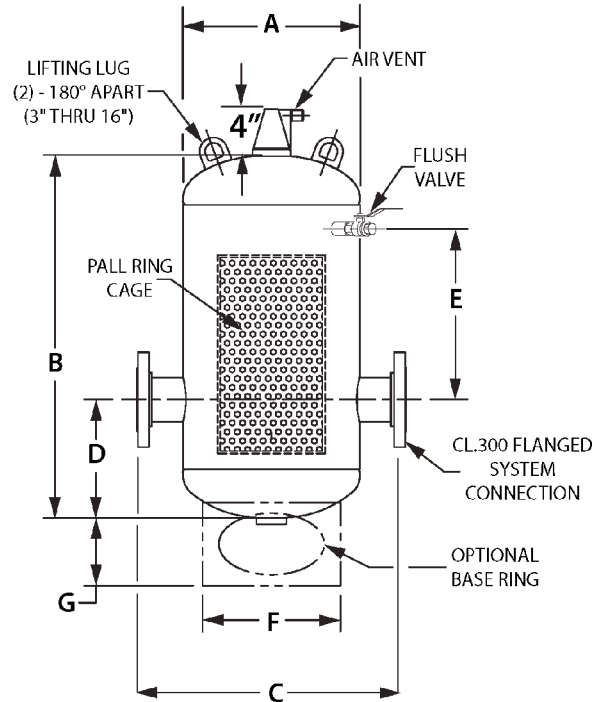
FACTORY INSTALLED

- Air Vent is suitable for water, max. 50% glycol
- Flush Valve

OPTIONS

- Optional System Connection Sizes
- Optional Base Ring
 - Add Suffix 'R' (4905 thru 4916) Exp. 4912AD-250R
- 300 psi at 240°F, available

CAUTION: LIFTING LUGS FOR RIGGING AND LIFTING USE ONLY, NOT FOR ANCHORING OR HANGING.



SIZES & DIMENSIONS

All dimensions shown are subject to change and should not be used for prepping. Contact your local Taco representative should certified dimensional drawings be required.

PIPE SIZE	MODEL NUMBER	A DIA. (INCH)	B MAX. (INCH)	C (INCH)	D (INCH)	E (INCH)	F DIA. (INCH)	G (INCH)	GPM @ 11 ft./sec.	APPROX. DRY WGT. (LBS)
2	4902AHT-250	12	25	14	10	9	-	-	115	90
2	4902AH-250	12	25	22	10	9	-	-	115	90
2 1/2	49025AHT-250	12	25	14	10	9	-	-	165	100
2 1/2	49025AH-250	12	25	22	10	9	-	-	165	100
3	4903AHT-250	14	31 1/4	16 1/2	12 1/4	11 3/4	-	-	253	135
3	4903AH-250	14	31 1/4	24	12 1/4	11 3/4	-	-	253	135
4	4904AH-250	14	31 1/4	24	12 1/4	11 3/4	-	-	458	160
5	4905AH-250	20	42	30	15 1/4	18	16	6 3/4	686	280
6	4906AH-250	20	42	30	15 1/4	18	16	6 3/4	1015	320
8	4908AH-250	24	48 7/8	34	17 1/2	21 3/4	20	7	1730	640
10	4910AH-250	30	60 3/8	42	21	28 1/2	24	8	2718	920
12	4912AH-250	30	60 3/8	42	21	28 1/2	24	8	4124	1015
14	4914AH-250	36	73	48	24 7/8	36	30	8	4727	1470
16	4916AH-250	36	73	48	24 7/8	36	30	8	6262	1550

T option refers to FNPT connections

COMMENTS