

# 5900 FlexBalance Series Separators

## Submittal Data

Submittal No: 401-080 | Effective: October 26, 2022 | Supersedes: October 23, 2019

JOB: \_\_\_\_\_

REPRESENTATIVE: \_\_\_\_\_

ENGINEER: \_\_\_\_\_

CONTRACTOR: \_\_\_\_\_

### PRODUCT DATA

ITEM NO. \_\_\_\_\_ SIZE \_\_\_\_\_

MODEL NO. \_\_\_\_\_ QUANTITY \_\_\_\_\_

### SPECIFICATIONS

- Designed and constructed per ASME Code Section VIII Div. 1
- Registered with the National Board of Pressure Vessel Manufacturers
- Standard Design Pressure and Temperature: 125 psi @ 270°F
- Construction: Carbon Steel with exterior red oxide primer finish
- 304 Stainless Steel Baffles
- Taco 5900 units are designed to be self-supporting in the piping system. Factory review is necessary should any piping loads be present.

**CAUTION: LIFTING LUGS FOR RIGGING AND LIFTING USE ONLY, NOT FOR ANCHORING OR HANGING.**

**FACTORY INSTALLED**

### OPTIONS

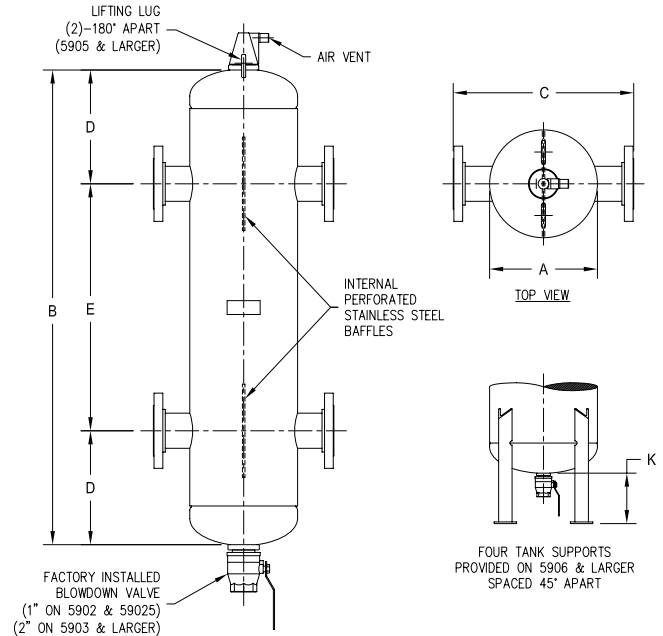
- 150 PSI @ 270°F, -61 & -62
- Grooved connections "AG"

### FEATURES

- US Patent # 7,117,888
- Energy Saving Green Product



Each separator is equipped with a brass conical shaped air venting chamber designed to minimize system fluid from fouling the venting assembly.



### SIZES & DIMENSIONS

All dimensions shown are subject to change and should not be used for prepping. Contact your local Taco representative should certified dimensional drawings be required.

Pipe Size	Model Number*	A	B	C	D	E	K	Optimum Flow (GPM)	Approx. Weight (LBS.)
		Dia. (Inch)	Max. (Inch)	(Inch)	(Inch)	(Inch)	(Inch)		
2	5902A-41	6 5/8	35	16 5/8	7 7/8	19 1/4	---	63	100
2 1/2	59025A-41	6 5/8	40	16 5/8	7 1/2	25	---	63	110
3	5903A-42	10 3/4	50	20 3/4	10 3/8	29 1/4	---	173	180
4	5904A-42	10 3/4	59	20 3/4	10 1/2	38	---	173	205
5	5905A-42	14	77	24	15 1/4	46 1/2	---	293	365
6	5906A-42	18	90	28	16 7/8	56 1/4	14	499	500
8	5908A-42	24	120	34	23 3/8	73 1/4	14	896	890
10	5910A-42	30	151	42	29 1/2	92	14	1409	1350
12	5912A-42	30	168	42	29	110	14	1409	1450

\* 150 MODELS, -61 & -62

### COMMENTS

MODEL NO.	THREADED CONNECTION	C DIMENSION
5902AT-	2"	8 5/8"
59025AT-	2.5"	8 5/8"
5903AT-	3"	14 1/4"

# "5900 PLUS" FlexBalance Series Separators

## Submittal Data

Submittal No: 401-082 | Effective: October 26, 2022 | Supersedes: October 23, 2019

JOB: \_\_\_\_\_

REPRESENTATIVE: \_\_\_\_\_

ENGINEER: \_\_\_\_\_

CONTRACTOR: \_\_\_\_\_

### PRODUCT DATA

ITEM NO. \_\_\_\_\_ SIZE \_\_\_\_\_

MODEL NO. \_\_\_\_\_ QUANTITY \_\_\_\_\_

### SPECIFICATIONS

- Designed and constructed per ASME Code Section VIII Div. 1
- Registered with the National Board of Pressure Vessel Manufacturers
- Standard Design Pressure and Temperature: 125 psi @ 270°F
- Construction: Carbon Steel with exterior red oxide primer finish
- 304 Stainless Steel Coalescence Pall Rings
- Taco 5900 units are designed to be self-supporting in the piping system. Factory review is necessary should any piping loads be present.

### OPTIONS

- 150 PSI @ 270°F, -61 & -62
- Grooved connections "PG"

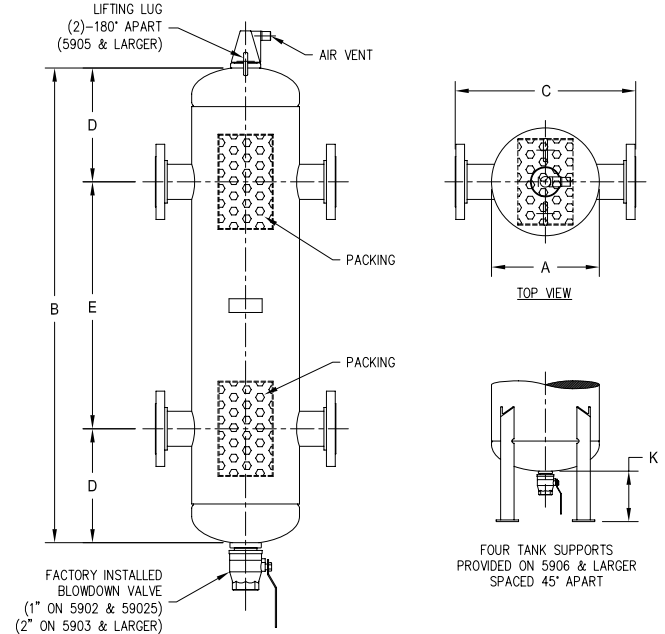
### FEATURES

- US Patent # 7,117,888
- Energy Saving Green Product



Each separator is equipped with a brass conical shaped air venting chamber designed to minimize system fluid from fouling the venting assembly.

**CAUTION: LIFTING LUGS FOR RIGGING AND LIFTING USE ONLY, NOT FOR ANCHORING OR HANGING.**



### SIZES & DIMENSIONS

All dimensions shown are subject to change and should not be used for prepping. Contact your local Taco representative should certified dimensional drawings be required.

Pipe Size	Model Number**	A	B	C	D	E	K	Optimum Flow (GPM)	SURFACE AREA* (SQ. FT.)	Approx. Weight (LBS.)
		Dia. (Inch)	Max. (inch)	(Inch)	(Inch)	(Inch)	(Inch)			
2	5902P-41	6 5/8	33	16 5/8	8 5/8	15 3/4	---	63	7.7	130
2 1/2	59025P-41	6 5/8	33	16 5/8	8 5/8	15 3/4	---	63	7.7	140
3	5903P-42	10 3/4	50	20 3/4	12 3/4	24 1/2	---	173	33.9	240
4	5904P-42	10 3/4	50	20 3/4	12 3/4	24 1/2	---	173	33.9	265
5	5905P-42	14	75	24	21 1/4	32 1/2	---	293	58.7	460
6	5906P-42	18	88	28	23 1/2	41	14	499	129.5	650
8	5908P-42	24	119	34	32	55	14	896	282.4	1210
10	5910P-42	30	153	42	40 1/8	72 3/4	14	1409	455.5	1880
12	5912P-42	30	153	42	40 1/8	72 3/4	14	1409	455.5	1980

\* TOTAL COALESCENCE (PALL RING) SURFACE AREA)

\*\* 150 MODELS, -61 & -62

### COMMENTS

MODEL NO.	THREADED CONNECTION	C DIMENSION
5902PT-	2"	8 5/8"
59025PT-	2.5"	8 5/8"
5903PT-	3"	14 1/4"