



Submittal Data Information

Tangential Air Separator - 125 PSI

401-022

SUPERSEDES: November 24, 2014

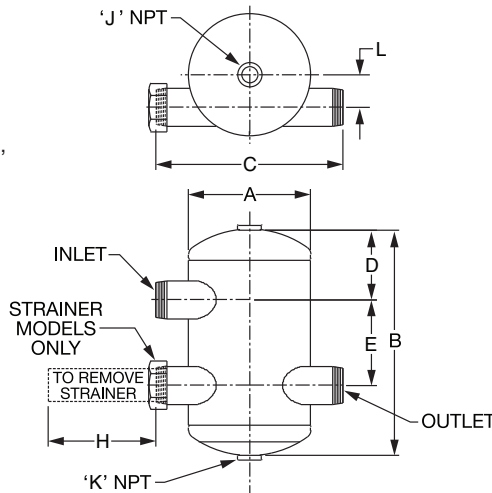
EFFECTIVE: April 6, 2016

JOB _____ ENGINEER _____ CONTRACTOR _____ REP. _____

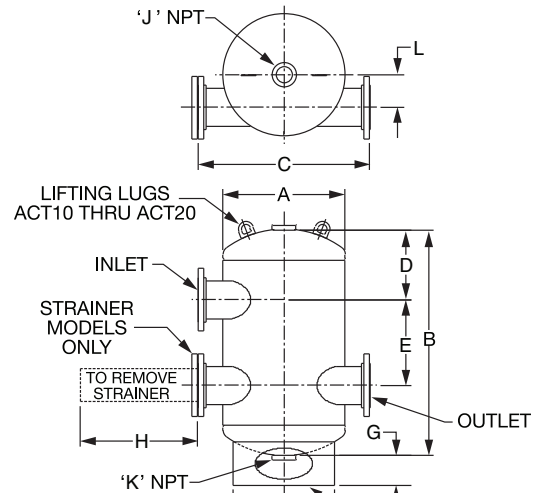
ITEM	QUANTITY	MODEL NO.	SIZE
------	----------	-----------	------

SPECIFICATIONS & OPTIONS

- Designed and constructed per ASME Code Section VIII, Division 1.
- Maximum Design Pressure and Operating Temperature: 125 psi @ 375°F
- Materials of Construction: Carbon Steel with optional 304SS Strainer
- Exterior Finish: Red Oxide Primer
- Larger sizes available. Please consult factory.



ACT02 - ACT025
ACT02F - ACT025F
(THREADED CONNECTIONS)



ACT03 - ACT20
ACT03F - ACT20F
(FLANGED CONNECTIONS)
ANSI CL.150 RF50

BASE RING FOR:
ACT02 - ACT06 optional
ACT08 - ACT20 standard



SIZES & DIMENSIONS

All dimensions shown are subject to change and should not be used for pre-piping. Contact your local Taco representative should certified dimensional drawings be required.

PIPE SIZE	MODEL NUMBER		A	B	C	D	E	F	G	H	J	K	L	OPTIMAL FLOW	APPROXIMATE SHIPPING WEIGHT	
	LESS STRAINER	WITH STRAINER													Lbs	(Kg)
2 (50.8)	ACT02-125	ACT02F-125	12	25 ¹ / ₈	18	8 ¹ / ₁₆	9	—	—	18	1 ¹ / ₄	1 ¹ / ₄	3 ¹ / ₂	104	40 (18.1)	45 (20.4)
2 ¹ / ₂ (63.5)	ACT025-125	ACT025F-125	12	25 ¹ / ₈	18	8 ¹ / ₁₆	9	—	—	18	1 ¹ / ₄	1 ¹ / ₄	3 ¹ / ₂	149	45 (20.4)	50 (22.7)
3 (76.2)	ACT03-125	ACT03F-125	12	25 ¹ / ₈	20	8 ¹ / ₁₆	9	—	—	18	1 ¹ / ₄	1 ¹ / ₄	3 ¹ / ₂	230	70 (31.8)	80 (36.3)
4 (101.6)	ACT04-125	ACT04F-125	16	32	24	10	12	12	6 ⁵ / ₈	22	1 ¹ / ₄	1 ¹ / ₄	4 ³ / ₄	416	105 (47.6)	125 (56.7)
5 (127.0)	ACT05-125	ACT05F-125	16	32	24	10	12	12	6 ⁵ / ₈	22	1 ¹ / ₄	1 ¹ / ₄	4 ³ / ₄	623	115 (52.2)	135 (61.2)
6 (152.4)	ACT06-125	ACT06F-125	20	39 ³ / ₄	28	12 ⁵ / ₈	14 ¹ / ₂	16	6 ⁵ / ₈	26	1 ¹ / ₄	1 ¹ / ₄	5 ¹ / ₂	956	185 (83.9)	235 (106.6)
8 (203.2)	ACT08-125	ACT08F-125	24	52	32	17	18	20	6 ⁵ / ₈	30	1 ¹ / ₄	1 ¹ / ₄	6 ³ / ₄	1666	315 (142.9)	430 (195.0)
10 (254.0)	ACT10-125	ACT10F-125	30	58	41	18	22	24	7 ⁷ / ₈	40	1 ¹ / ₄	1 ¹ / ₄	8 ⁷ / ₁₆	2635	520 (235.9)	660 (299.4)
12 (304.8)	ACT12-125	ACT12F-125	30	64	41	19	26	24	7 ⁷ / ₈	40	1 ¹ / ₄	1 ¹ / ₄	7 ⁷ / ₁₆	3749	600 (272.2)	800 (362.9)
14 (355.6)	ACT14-125	ACT14F-125	36	75 ¹ / ₂	47	22	31 ¹ / ₂	30	7 ⁷ / ₈	46	1 ¹ / ₄	1 ¹ / ₄	9 ⁹ / ₁₆	4298	825 (374.2)	1080 (489.9)
16 (406.4)	ACT16-125	ACT16F-125	48	98 ¹ / ₂	60	29 ¹ / ₄	40	40	8 ¹ / ₂	59	1 ¹ / ₄	1 ¹ / ₄	14 ³ / ₄	5693	1550 (703.1)	1870 (848.2)
18 (457.2)	ACT18-125	ACT18F-125	54	113	66	31 ¹ / ₂	50	44	9 ⁵ / ₈	65	2	2	16 ⁵ / ₈	7496	2430 (1102.2)	2820 (1279.1)
20 (508.0)	ACT20-125	ACT20F-125	60	135	72	37 ¹ / ₂	60	50	10	70	2	2	18 ¹ / ₈	9307	3660 (1660.1)	4150 (1882.4)

COMMENTS: _____



Taco, Inc., 1160 Cranston Street, Cranston, RI 02920 | Tel: (401) 942-8000 | FAX: (401) 942-2360

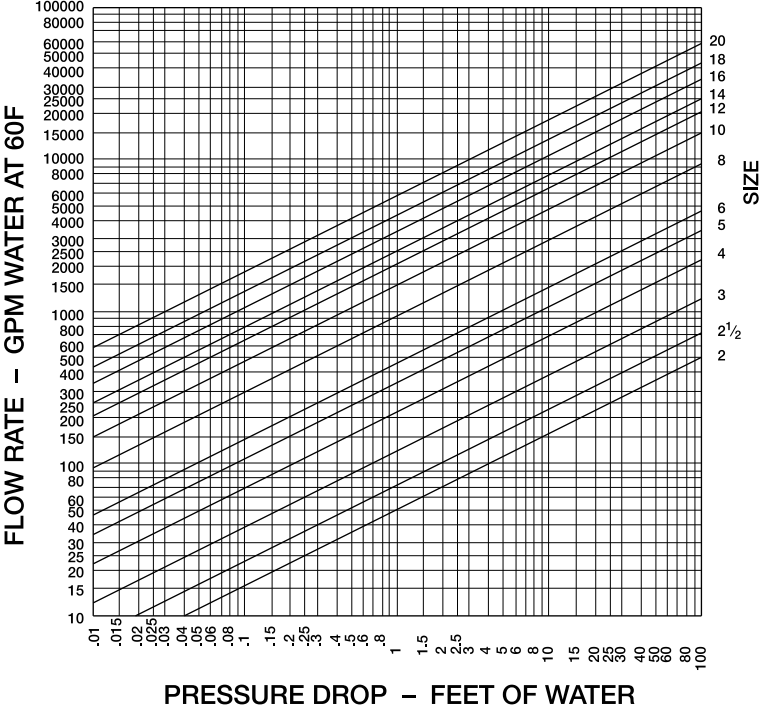
Taco (Canada), Ltd., 8450 Lawson Road, Suite #3, Milton, Ontario L9T 0J8 | Tel: (905) 564-9422 | FAX: (905) 564-9436

Visit our web site: www.TacoComfort.com | Printed in USA | ©2015 Taco, Inc.

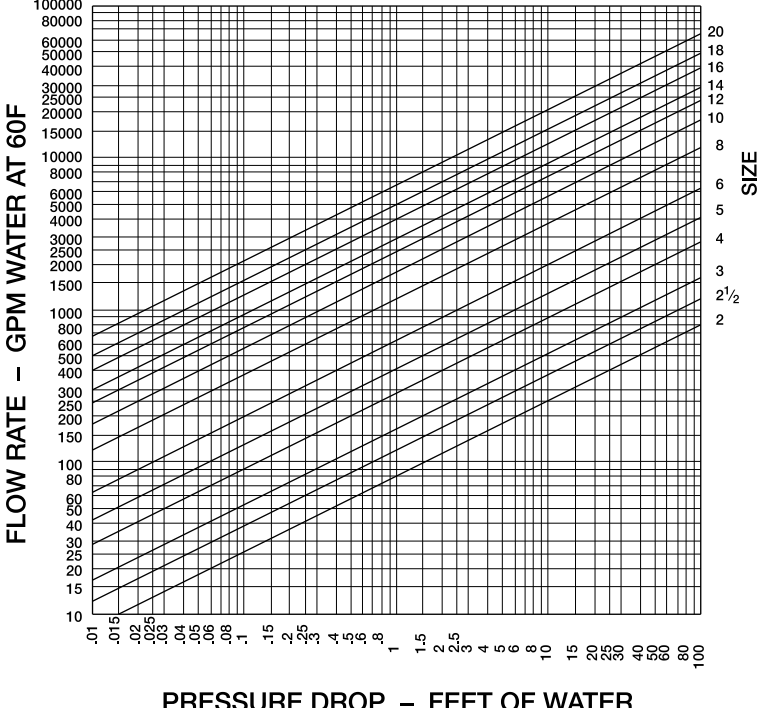


AIR SEPARATOR PRESSURE DROP CHARTS TANGENTIAL AIR SEPARATORS

AIR SEPARATOR WITH STRAINER



AIR SEPARATOR WITHOUT STRAINER



SUPERSEDES: December 9, 2014

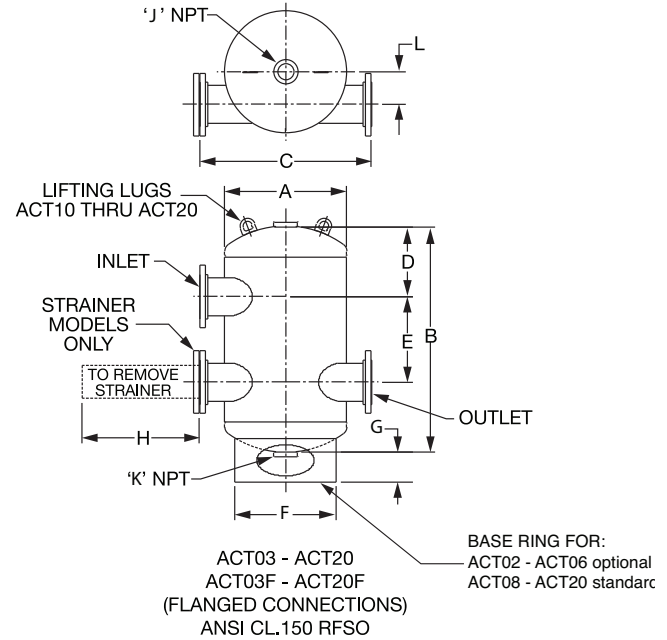
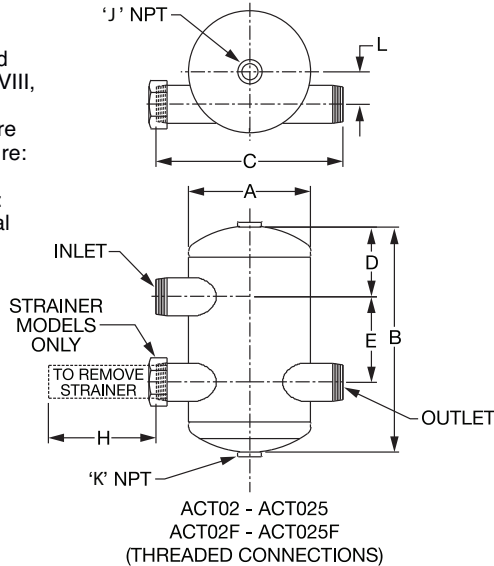
EFFECTIVE: November 24, 2015

JOB _____ ENGINEER _____ CONTRACTOR _____ REP. _____

ITEM	QUANTITY	MODEL NO.	SIZE
------	----------	-----------	------

SPECIFICATIONS & OPTIONS

- Designed and constructed per ASME Code Section VIII, Division 1.
- Maximum Design Pressure and Operating Temperature: 150 psi @ 375°F
- Materials of Construction: Carbon Steel with optional 304SS Strainer
- Exterior Finish: Red Oxide Primer
- Larger sizes available. Please consult factory.



SIZES & DIMENSIONS

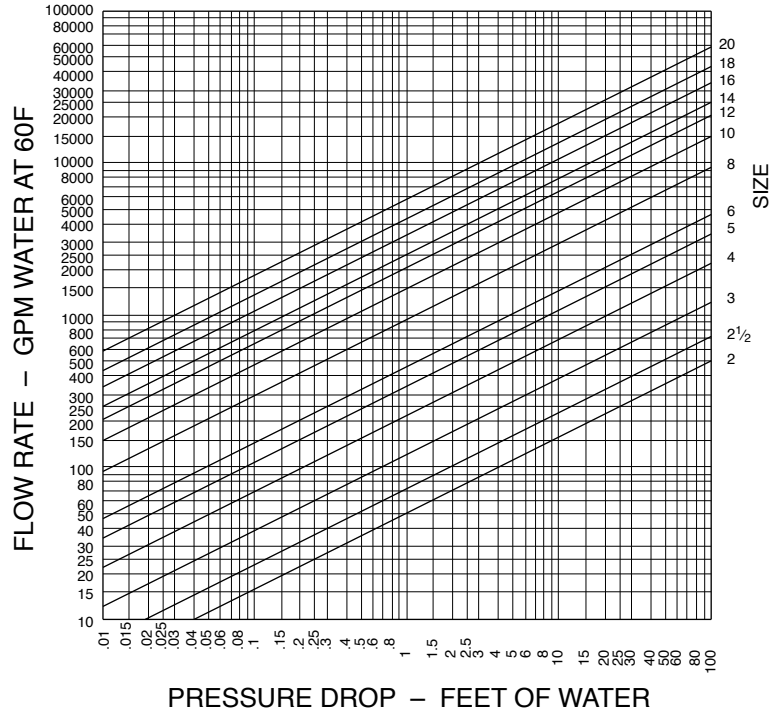
All dimensions shown are subject to change and should not be used for pre-piping. Contact your local Taco representative should certified dimensional drawings be required.

PIPE SIZE	MODEL NUMBER		A	B	C	D	E	F	G	H	J	K	L	OPTIMAL FLOW	APPROXIMATE SHIPPING WEIGHT	
	LESS STRAINER	WITH STRAINER													Lbs	(Kg)
2 (50.8)	ACT02-150	ACT02F-150	12	25 ¹ / ₈	18	8 ¹ / ₁₆	9	—	—	18	1 ¹ / ₄	1 ¹ / ₄	3 ¹ / ₂	104	40 (18.1)	45 (20.4)
2 ¹ / ₂ (63.5)	ACT025-150	ACT025F-150	12	25 ¹ / ₈	18	8 ¹ / ₁₆	9	—	—	18	1 ¹ / ₄	1 ¹ / ₄	3 ¹ / ₂	149	45 (20.4)	50 (22.7)
3 (76.2)	ACT03-150	ACT03F-150	12	25 ¹ / ₈	20	8 ¹ / ₁₆	9	—	—	18	1 ¹ / ₄	1 ¹ / ₄	3 ¹ / ₂	230	70 (31.8)	80 (36.3)
4 (101.6)	ACT04-150	ACT04F-150	16	32	24	10	12	12	6 ⁵ / ₈	22	1 ¹ / ₄	1 ¹ / ₄	4 ³ / ₄	416	105 (47.6)	125 (56.7)
5 (127.0)	ACT05-150	ACT05F-150	16	32	24	10	12	12	6 ⁵ / ₈	22	1 ¹ / ₄	1 ¹ / ₄	4 ³ / ₄	623	115 (52.2)	135 (61.2)
6 (152.4)	ACT06-150	ACT06F-150	20	39 ³ / ₄	28	12 ⁵ / ₈	14 ¹ / ₂	16	6 ⁵ / ₈	26	1 ¹ / ₄	1 ¹ / ₄	5 ¹ / ₂	956	185 (83.9)	235 (106.6)
8 (203.2)	ACT08-150	ACT08F-150	24	52	32	17	18	20	6 ⁵ / ₈	30	1 ¹ / ₄	1 ¹ / ₄	6 ³ / ₄	1666	315 (142.9)	430 (195.0)
10 (254.0)	ACT10-150	ACT10F-150	30	58	41	18	22	24	7 ⁷ / ₈	40	1 ¹ / ₄	1 ¹ / ₄	8 ⁷ / ₁₆	2635	675 (306.2)	860 (390.1)
12 (304.8)	ACT12-150	ACT12F-150	30	64	41	19	26	24	7 ⁷ / ₈	40	1 ¹ / ₄	1 ¹ / ₄	7 ⁷ / ₁₆	3749	780 (353.8)	1040 (471.7)
14 (355.6)	ACT14-150	ACT14F-150	36	75 ¹ / ₂	47	22	31 ¹ / ₂	30	7 ⁷ / ₈	46	1 ¹ / ₄	1 ¹ / ₄	9 ³ / ₁₆	4298	1075 (487.6)	1405 (637.3)
16 (406.4)	ACT16-150	ACT16F-150	48	98 ¹ / ₂	60	29 ¹ / ₄	40	40	8 ¹ / ₂	59	1 ¹ / ₄	1 ¹ / ₄	14 ³ / ₄	5693	2015 (914.0)	2430 (1102.2)
18 (457.2)	ACT18-150	ACT18F-150	54	113	66	31 ¹ / ₂	50	44	9 ⁵ / ₈	65	2	2	16 ⁵ / ₈	7496	3160 (1433.4)	3670 (1664.7)
20 (508.0)	ACT20-150	ACT20F-150	60	135	72	37 ¹ / ₂	60	50	10	70	2	2	18 ¹ / ₈	9307	4760 (2159.1)	5400 (2449.4)

COMMENTS: _____

AIR SEPARATOR PRESSURE DROP CHARTS TANGENTIAL AIR SEPARATORS

AIR SEPARATOR WITH STRAINER



AIR SEPARATOR WITHOUT STRAINER

