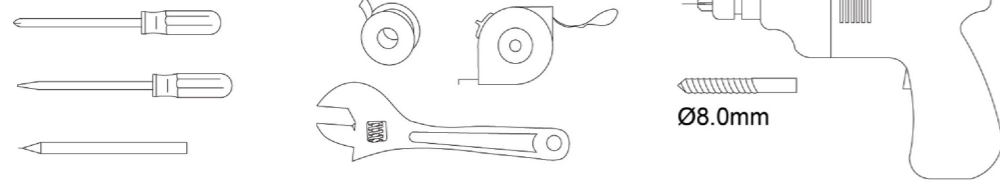
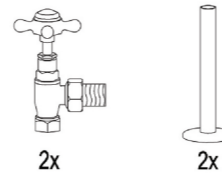


**tools required**

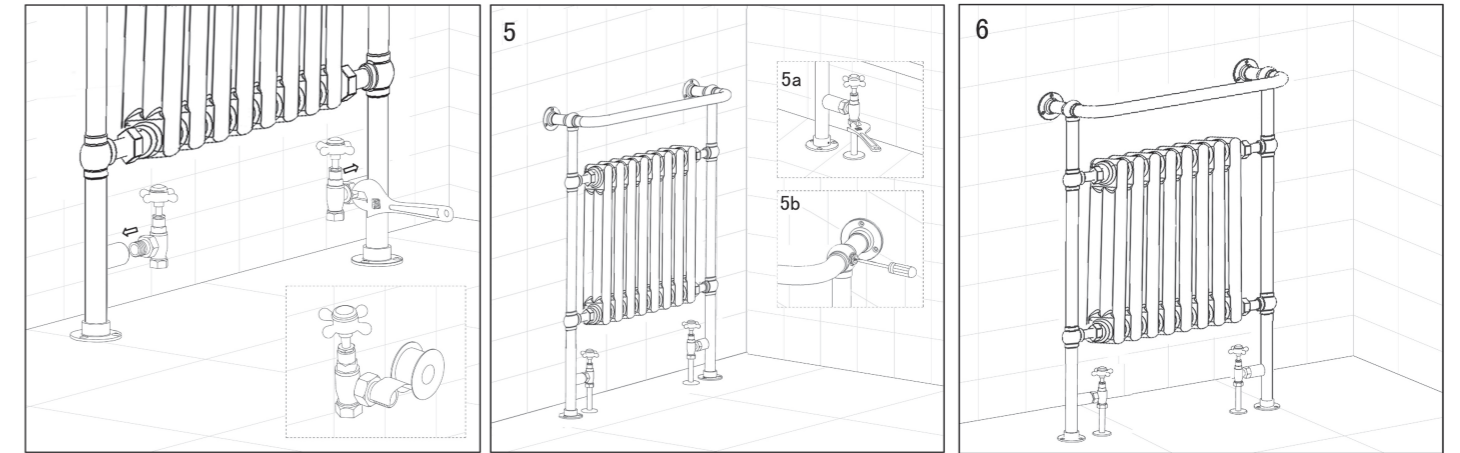
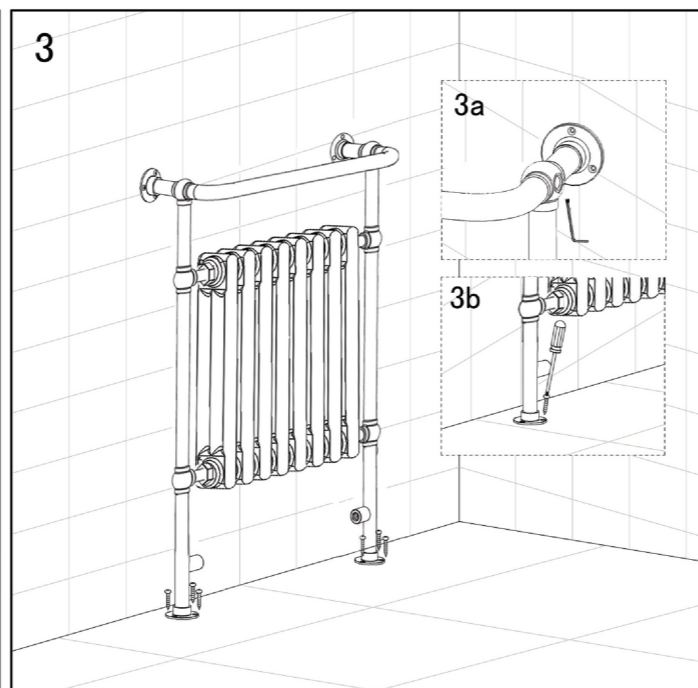
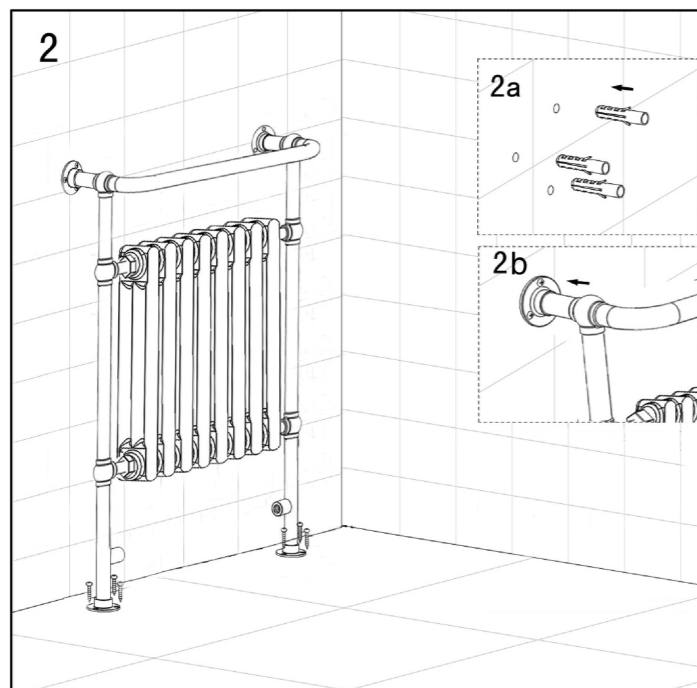
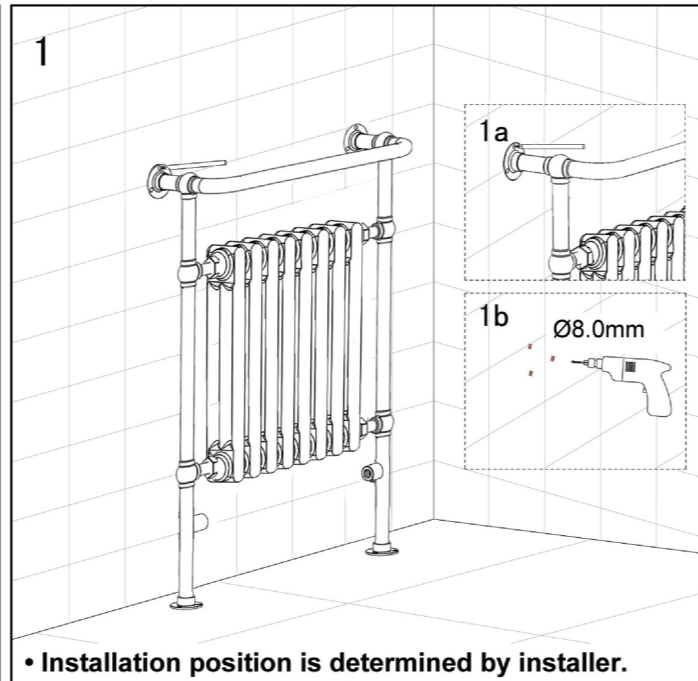
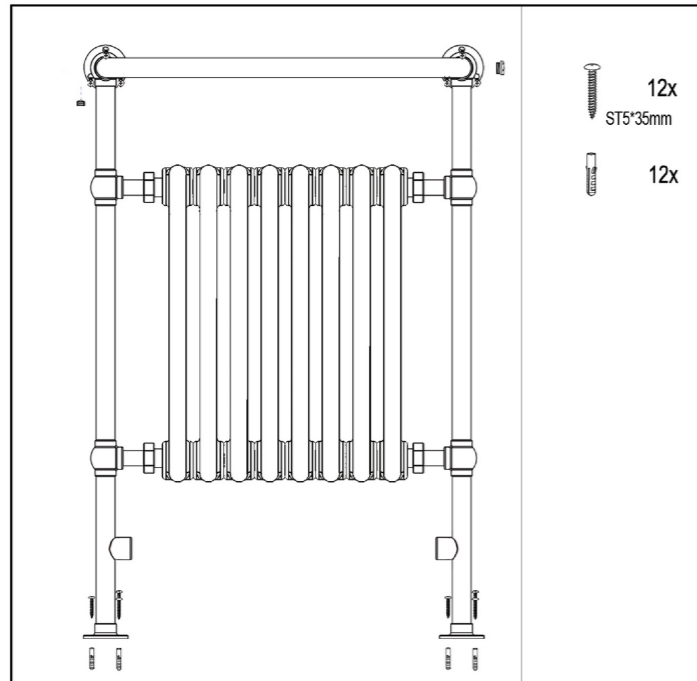


**parts required**



**Classic Radiator Installation Instruction**

- review instructions carefully before installation
- installation should be completed by a suitably qualified person
- please dispose of packaging in a responsible manner



**After installation ...**

- Use a screwdriver to open the air vent, open the inlet valve and let the water rush into the radiator. Check all connections for leaks.
- Once water overflows from the air vent, there is no air in the tube.
- Use a screwdriver to close the air vent, Turn on the outlet valve and the radiator is ready for use.

**After care ...**

- Classic Radiators are made from Steel with chrome plating, and should not be cleaned with corrosive or scouring cleaning agents.

**Dual Fuel Installation (Central Heating with Electrical Option)**

- (Make sure you've bought a Tee & heating element to fulfill this the Installation, they are not included in the package)
- Step 1 - Remove the blank plug in the side of the T piece and discard the blank plug. Wrap a thick layer of PTFE tape around the element thread and the T piece thread.
- Step 2 - Screw the T piece onto the element and tighten into place.
- Step 3 - Screw the element and T piece assembly into the towel rail and tighten, ensuring that the T piece outlet is in the correct position. **THE ELEMENT MUST ONLY BE FITTED VERTICALLY IN THE BOTTOM OF A TOWEL RAIL.**
- Step 4 - Mount the towel rail onto the wall in accordance with the manufacturers instructions. Fit the radiator valves and connect the central heating pipes.
- Step 5 - Open the radiator valves and purge any air from the system using the towel rail air vent.
- Step 6 - Switch off the electrical supply at the mains. Connect the electrical cable to a BS Fused Connection Unit, which should be fitted with a 5 Amp fuse. **THIS PRODUCT MUST BE EARTHED.**
- Step 7 - Switch the electrical supply back on and test the electrical element. The towel rail should gradually heat up but it could take several hours to reach full operating temperature. **THE RADIATOR VALVES MUST BE LEFT OPEN AT ALL TIMES WHEN THE ELEMENT IS SWITCHED ON. THE ELEMENT SHOULD NOT BE SWITCHED ON WHEN THE CENTRAL HEATING IS SWITCHED ON.**

**Please note...**

- This product can only be used at PN ≤ 1MPa (10Kg/cm<sup>2</sup>, 10Bar), It should only be filled with water, and at a temperature below 100°C (212°F). See table below for installation requirements. If the temperature exceeds 48°C (or 120°F), please install a warning side near to the product to avoid burning a scolding accidents.

Fillais medium	Pressure	Temperature	Remarks
water only	PN ≤ 1Mpa	0° C < t ≤ 100° C	If ambient temperature drop below 1° C, drain out the water to prevent freezing.