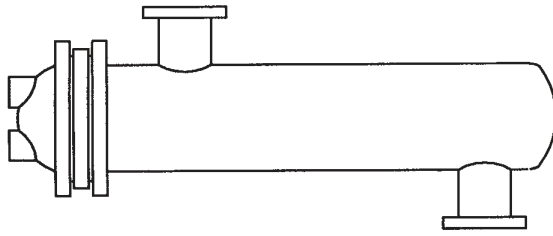


## Liquid to Liquid Heat Exchangers



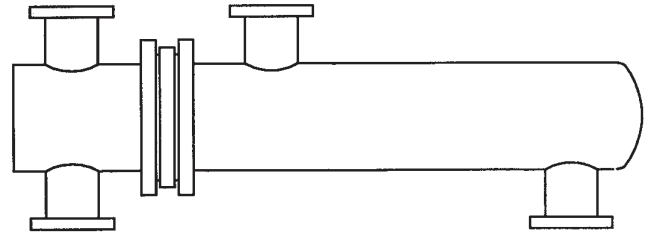
## Features



4" - 10"

### Features

- Designed, constructed and tested to ASME Section VIII, Div. 1 requirements
- NSF/ANSI 372 Certified and Listed
- High degree of flexibility in materials to meet varying application requirements
- Available in 2 or 4 pass construction
- All fabrication done in-house
- Computerized selections to ensure fast and easy design
- National Board Registration
- CRN registration (optional)



12" - 30"

### Performance Data

- Connection sizes: 1-14"
- Diameters: 4-30"
- Max. Length: 10 ft. Standard
- Working Pressure: 150 PSI Standard tube side, 150 PSI shell side, (Optional Higher Pressures)
- Max. Operating Temperature: 375°F
- (Optional Higher Temperatures)

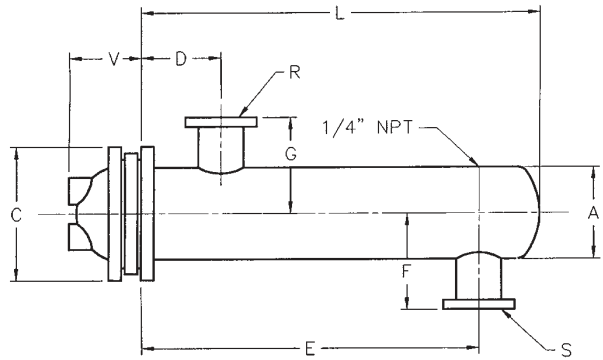
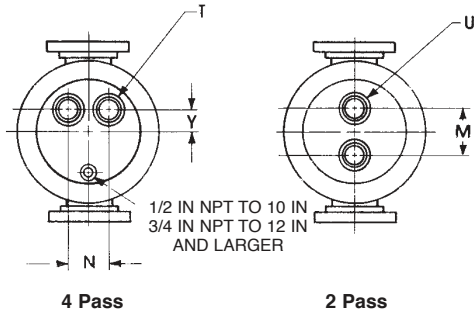
### Materials of Construction

	STANDARD	OPTIONAL
Shell	Fabricated Steel	304ss/316ss Duplex 2205
Head 4" - 10"	Cast Iron Threaded Connections	Fabricated Steel, 304ss/316ss, Duplex 2205 Flanged
Head 12" - 30"	Fabricated Steel Flanged	Cast Steel (12"-16") Flanged, 304ss/316ss Duplex 2205 Flanged
Tubes	3/4 X 20 BWG Copper	3/4 X 18 BWG Copper, 90/10 Cupro-Nickel, Steel, 304ss, 316ss, Duplex 2205
Tube Sheet	Steel	304ss, 316ss, 90/10 CuNi, Brass, Duplex 2205
Separators	Steel	304ss, 316ss, 90/10 CuNi, Brass, Duplex 2205
Tie Rods	Copper	304ss, 316ss
Nuts and Bolts	Steel	Consult Factory

# Typical Dimensions

### Model Number Key

E/G    8    2    18    L ——— Water to water type (liquid in shell)  
 Tube bundle length  
 (this figure x 6 inches)  
 Number of tube passes  
 Nominal shell diameter  
 U tube



### 4 Inch Diameter

Model Number		Cast Iron Heads						Dimensions (Inches)									G Code Heating Surface (Sq. Ft.)**	Shipping Weight (Lbs.)
2 Pass	4 Pass	2 Pass		4 Pass				2 and 4 Pass										
		M	U	N	T	Y	V	A	C*	D	E	F	G	L	R	S		
G4204L	G4404L	2 1/2	1 1/2 T	2 3/8	1 T	7/8	2 5/8	4 1/2	9	5	19 1/2	3 7/8	3 7/8	24 1/2	1 1/2 T	1 1/2 T	4.6	65
G4206L	G4406L	2 1/2	1 1/2 T	2 3/8	1 T	7/8	2 5/8	4 1/2	9	5	31 1/2	3 7/8	3 7/8	36 1/2	1 1/2 T	1 1/2 T	7.0	75
G4208L	G4408L	2 1/2	1 1/2 T	2 3/8	1 T	7/8	2 5/8	4 1/2	9	5	43 1/2	3 7/8	3 7/8	48 1/2	1 1/2 T	1 1/2 T	9.3	84
G4210L	G4410L	2 1/2	1 1/2 T	2 3/8	1 T	7/8	2 5/8	4 1/2	9	5	55 1/2	3 7/8	3 7/8	60 1/2	1 1/2 T	1 1/2 T	11.7	94
G4212L	G4412L	2 1/2	1 1/2 T	2 3/8	1 T	7/8	2 5/8	4 1/2	9	5	67 1/2	3 7/8	3 7/8	72 1/2	1 1/2 T	1 1/2 T	14.1	104
G4214L	G4414L	2 1/2	1 1/2 T	2 3/8	1 T	7/8	2 5/8	4 1/2	9	5	79 1/2	3 7/8	3 7/8	84 1/2	1 1/2 T	1 1/2 T	16.4	114
G4216L	G4416L	2 1/2	1 1/2 T	2 3/8	1 T	7/8	2 5/8	4 1/2	9	5	91 1/2	3 7/8	3 7/8	96 1/2	1 1/2 T	1 1/2 T	18.8	124
G4218L	G4418L	2 1/2	1 1/2 T	2 3/8	1 T	7/8	2 5/8	4 1/2	9	5	103 1/2	3 7/8	3 7/8	108 1/2	1 1/2 T	1 1/2 T	21.1	134
G4220L	G4420L	2 1/2	1 1/2 T	2 3/8	1 T	7/8	2 5/8	4 1/2	9	5	115 1/2	3 7/8	3 7/8	120 1/2	1 1/2 T	1 1/2 T	23.5	144

### 6 Inch Diameter

E6204L	G6404L	4	2 T	3 3/4	1 1/2 T	1 1/4	2 7/8	6 5/8	11	5	18	5 7/8	5 7/8	25	2 1/2 T	2 1/2 T	9.1	120
E6206L	G6406L	4	2 T	3 3/4	1 1/2 T	1 1/4	2 7/8	6 5/8	11	5	30	5 7/8	5 7/8	37	2 1/2 T	2 1/2 T	13.8	148
E6208L	G6408L	4	2 T	3 3/4	1 1/2 T	1 1/4	2 7/8	6 5/8	11	5	42	5 7/8	5 7/8	49	2 1/2 T	2 1/2 T	18.5	182
E6210L	G6410L	4	2 T	3 3/4	1 1/2 T	1 1/4	2 7/8	6 5/8	11	5	54	5 7/8	5 7/8	61	2 1/2 T	2 1/2 T	23.2	207
E6212L	G6412L	4	2 T	3 3/4	1 1/2 T	1 1/4	2 7/8	6 5/8	11	5	66	5 7/8	5 7/8	73	2 1/2 T	2 1/2 T	27.9	235
E6214L	G6414L	4	2 T	3 3/4	1 1/2 T	1 1/4	2 7/8	6 5/8	11	5	78	5 7/8	5 7/8	85	2 1/2 T	2 1/2 T	32.6	262
E6216L	G6416L	4	2 T	3 3/4	1 1/2 T	1 1/4	2 7/8	6 5/8	11	5	90	5 7/8	5 7/8	97	2 1/2 T	2 1/2 T	37.3	290
E6218L	G6418L	4	2 T	3 3/4	1 1/2 T	1 1/4	2 7/8	6 5/8	11	5	102	5 7/8	5 7/8	109	2 1/2 T	2 1/2 T	42.1	318
E6220L	G6420L	4	2 T	3 3/4	1 1/2 T	1 1/4	2 7/8	6 5/8	11	5	114	5 7/8	5 7/8	121	2 1/2 T	2 1/2 T	46.8	346

### 8 Inch Diameter

E8204L	G8404L	5	3 T	4	2 T	2	3 3/8	8 5/8	13 1/2	7 1/4	17 1/4	9 1/4	9 1/4	24	4 F	4 F	16.5	192
E8206L	G8406L	5	3 T	4	2 T	2	3 3/8	8 5/8	13 1/2	7 1/4	29 1/4	9 1/4	9 1/4	36	4 F	4 F	25.1	234
E8208L	G8408L	5	3 T	4	2 T	2	3 3/8	8 5/8	13 1/2	7 1/4	41 1/4	9 1/4	9 1/4	48	4 F	4 F	33.7	283
E8210L	G8410L	5	3 T	4	2 T	2	3 3/8	8 5/8	13 1/2	7 1/4	53 1/4	9 1/4	9 1/4	60	4 F	4 F	42.4	326
E8212L	G8412L	5	3 T	4	2 T	2	3 3/8	8 5/8	13 1/2	7 1/4	65 1/4	9 1/4	9 1/4	72	4 F	4 F	51.0	369
E8214L	G8414L	5	3 T	4	2 T	2	3 3/8	8 5/8	13 1/2	7 1/4	77 1/4	9 1/4	9 1/4	84	4 F	4 F	59.7	390
E8216L	G8416L	5	3 T	4	2 T	2	3 3/8	8 5/8	13 1/2	7 1/4	89 1/4	9 1/4	9 1/4	96	4 F	4 F	68.3	453
E8218L	G8418L	5	3 T	4	2 T	2	3 3/8	8 5/8	13 1/2	7 1/4	101 1/4	9 1/4	9 1/4	108	4 F	4 F	76.9	496
E8220L	G8420L	5	3 T	4	2 T	2	3 3/8	8 5/8	13 1/2	7 1/4	113 1/4	9 1/4	9 1/4	120	4 F	4 F	85.6	540

\* Dimensions are ANSI. For TEMA, consult factory.

\*\* E Code heating surfaces are equal or greater. Please consult submittals for actual heating surfaces.

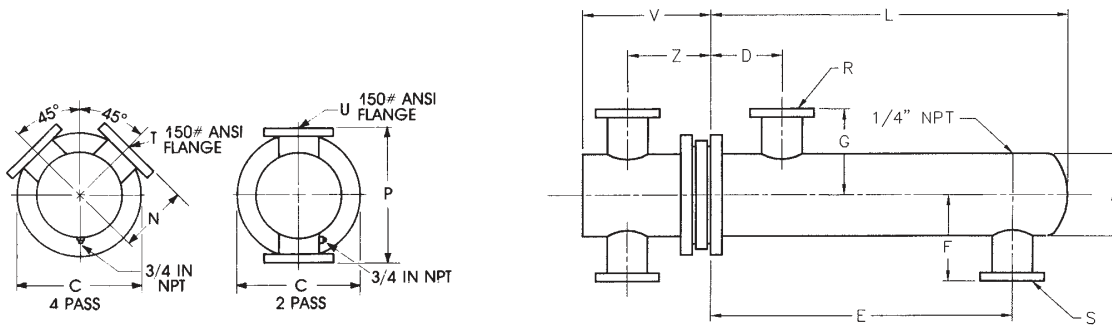
# Dimensional Data

## 10 Inch Diameter

Model Number		Cast Iron Heads						Dimensions (Inches)										G Code Heating Surface (Sq. Ft.)**	Shipping Weight (Lbs.)
2 Pass	4 Pass	2 Pass		4 Pass				2 and 4 Pass											
		M	U	N	T	Y	V	A	C*	D	E	F	G	L	R	S			
E10204L	G10404L	6 <sup>1</sup> / <sub>4</sub>	3T	5 <sup>1</sup> / <sub>2</sub>	3T	2 <sup>1</sup> / <sub>4</sub>	4	10 <sup>3</sup> / <sub>4</sub>	16	7 <sup>1</sup> / <sub>4</sub>	16 <sup>1</sup> / <sub>2</sub>	10 <sup>1</sup> / <sub>2</sub>	10 <sup>1</sup> / <sub>2</sub>	24	4F	4F	26.8	300	
E10206L	G10406L	6 <sup>1</sup> / <sub>4</sub>	3T	5 <sup>1</sup> / <sub>2</sub>	3T	2 <sup>1</sup> / <sub>4</sub>	4	10 <sup>3</sup> / <sub>4</sub>	16	7 <sup>1</sup> / <sub>4</sub>	28 <sup>1</sup> / <sub>2</sub>	10 <sup>1</sup> / <sub>2</sub>	10 <sup>1</sup> / <sub>2</sub>	36	4F	4F	40.9	353	
E10208L	G10408L	6 <sup>1</sup> / <sub>4</sub>	3T	5 <sup>1</sup> / <sub>2</sub>	3T	2 <sup>1</sup> / <sub>4</sub>	4	10 <sup>3</sup> / <sub>4</sub>	16	7 <sup>1</sup> / <sub>4</sub>	40 <sup>1</sup> / <sub>2</sub>	10 <sup>1</sup> / <sub>2</sub>	10 <sup>1</sup> / <sub>2</sub>	48	4F	4F	55.0	415	
E10210L	G10410L	6 <sup>1</sup> / <sub>4</sub>	3T	5 <sup>1</sup> / <sub>2</sub>	3T	2 <sup>1</sup> / <sub>4</sub>	4	10 <sup>3</sup> / <sub>4</sub>	16	7 <sup>1</sup> / <sub>4</sub>	52 <sup>1</sup> / <sub>2</sub>	10 <sup>1</sup> / <sub>2</sub>	10 <sup>1</sup> / <sub>2</sub>	60	4F	4F	69.2	476	
E10212L	G10412L	6 <sup>1</sup> / <sub>4</sub>	3T	5 <sup>1</sup> / <sub>2</sub>	3T	2 <sup>1</sup> / <sub>4</sub>	4	10 <sup>3</sup> / <sub>4</sub>	16	7 <sup>1</sup> / <sub>4</sub>	64 <sup>1</sup> / <sub>2</sub>	10 <sup>1</sup> / <sub>2</sub>	10 <sup>1</sup> / <sub>2</sub>	72	4F	4F	83.3	537	
E10214L	G10414L	6 <sup>1</sup> / <sub>4</sub>	3T	5 <sup>1</sup> / <sub>2</sub>	3T	2 <sup>1</sup> / <sub>4</sub>	4	10 <sup>3</sup> / <sub>4</sub>	16	7 <sup>1</sup> / <sub>4</sub>	76 <sup>1</sup> / <sub>2</sub>	10 <sup>1</sup> / <sub>2</sub>	10 <sup>1</sup> / <sub>2</sub>	84	4F	4F	97.5	598	
E10216L	G10416L	6 <sup>1</sup> / <sub>4</sub>	3T	5 <sup>1</sup> / <sub>2</sub>	3T	2 <sup>1</sup> / <sub>4</sub>	4	10 <sup>3</sup> / <sub>4</sub>	16	7 <sup>1</sup> / <sub>4</sub>	88 <sup>1</sup> / <sub>2</sub>	10 <sup>1</sup> / <sub>2</sub>	10 <sup>1</sup> / <sub>2</sub>	96	4F	4F	111.6	660	
E10218L	G10418L	6 <sup>1</sup> / <sub>4</sub>	3T	5 <sup>1</sup> / <sub>2</sub>	3T	2 <sup>1</sup> / <sub>4</sub>	4	10 <sup>3</sup> / <sub>4</sub>	16	7 <sup>1</sup> / <sub>4</sub>	100 <sup>1</sup> / <sub>2</sub>	10 <sup>1</sup> / <sub>2</sub>	10 <sup>1</sup> / <sub>2</sub>	108	4F	4F	125.7	721	
E10220L	G10420L	6 <sup>1</sup> / <sub>4</sub>	3T	5 <sup>1</sup> / <sub>2</sub>	3T	2 <sup>1</sup> / <sub>4</sub>	4	10 <sup>3</sup> / <sub>4</sub>	16	7 <sup>1</sup> / <sub>4</sub>	112 <sup>1</sup> / <sub>2</sub>	10 <sup>1</sup> / <sub>2</sub>	10 <sup>1</sup> / <sub>2</sub>	120	4F	4F	139.9	782	

\* Dimensions are ANSI. For TEMA, consult factory.

\*\* E Code heating surfaces are equal or greater. Please consult submittals for actual heating surfaces.



Model Number		Fabricated Steel Heads						Dimensions (Inches)										G Code Heating Surface (Sq. Ft.)**	Shipping Weight (Lbs.)	
2 Pass	4 Pass	2 Pass		4 Pass				2 and 4 Pass												
		P	U	V	Z	N	T	V	Z	A	C*	D	E	F	G	L	R	S		
E12206L	G12406L	24	4F	14 <sup>7</sup> / <sub>8</sub>	10 <sup>1</sup> / <sub>8</sub>	12	3F	14 <sup>7</sup> / <sub>8</sub>	10 <sup>3</sup> / <sub>8</sub>	12 <sup>3</sup> / <sub>4</sub>	19	8	27 <sup>1</sup> / <sub>4</sub>	12	12	36 <sup>1</sup> / <sub>4</sub>	5F	5F	58.6	510
E12208L	G12408L	24	4F	14 <sup>7</sup> / <sub>8</sub>	10 <sup>1</sup> / <sub>8</sub>	12	3F	14 <sup>7</sup> / <sub>8</sub>	10 <sup>3</sup> / <sub>8</sub>	12 <sup>3</sup> / <sub>4</sub>	19	8	39 <sup>1</sup> / <sub>4</sub>	12	12	48 <sup>1</sup> / <sub>4</sub>	5F	5F	79.0	596
E12210L	G12410L	24	4F	14 <sup>7</sup> / <sub>8</sub>	10 <sup>1</sup> / <sub>8</sub>	12	3F	14 <sup>7</sup> / <sub>8</sub>	10 <sup>3</sup> / <sub>8</sub>	12 <sup>3</sup> / <sub>4</sub>	19	8	51 <sup>1</sup> / <sub>4</sub>	12	12	60 <sup>1</sup> / <sub>4</sub>	5F	5F	99.5	681
E12212L	G12412L	24	4F	14 <sup>7</sup> / <sub>8</sub>	10 <sup>1</sup> / <sub>8</sub>	12	3F	14 <sup>7</sup> / <sub>8</sub>	10 <sup>3</sup> / <sub>8</sub>	12 <sup>3</sup> / <sub>4</sub>	19	8	63 <sup>1</sup> / <sub>4</sub>	12	12	72 <sup>1</sup> / <sub>4</sub>	5F	5F	119.9	772
E12214L	G12414L	24	4F	14 <sup>7</sup> / <sub>8</sub>	10 <sup>1</sup> / <sub>8</sub>	12	3F	14 <sup>7</sup> / <sub>8</sub>	10 <sup>3</sup> / <sub>8</sub>	12 <sup>3</sup> / <sub>4</sub>	19	8	75 <sup>1</sup> / <sub>4</sub>	12	12	84 <sup>1</sup> / <sub>4</sub>	5F	5F	140.3	857
E12216L	G12416L	24	4F	14 <sup>7</sup> / <sub>8</sub>	10 <sup>1</sup> / <sub>8</sub>	12	3F	14 <sup>7</sup> / <sub>8</sub>	10 <sup>3</sup> / <sub>8</sub>	12 <sup>3</sup> / <sub>4</sub>	19	8	87 <sup>1</sup> / <sub>4</sub>	12	12	96 <sup>1</sup> / <sub>4</sub>	5F	5F	160.8	941
E12218L	G12418L	24	4F	14 <sup>7</sup> / <sub>8</sub>	10 <sup>1</sup> / <sub>8</sub>	12	3F	14 <sup>7</sup> / <sub>8</sub>	10 <sup>3</sup> / <sub>8</sub>	12 <sup>3</sup> / <sub>4</sub>	19	8	99 <sup>1</sup> / <sub>4</sub>	12	12	108 <sup>1</sup> / <sub>4</sub>	5F	5F	181.2	1027
E12220L	G12420L	24	4F	14 <sup>7</sup> / <sub>8</sub>	10 <sup>1</sup> / <sub>8</sub>	12	3F	14 <sup>7</sup> / <sub>8</sub>	10 <sup>3</sup> / <sub>8</sub>	12 <sup>3</sup> / <sub>4</sub>	19	8	111 <sup>1</sup> / <sub>4</sub>	12	12	120 <sup>1</sup> / <sub>4</sub>	5F	5F	201.6	1111

## 14 Inch Diameter

E14206L	G14406L	26	6F	18 <sup>3</sup> / <sub>8</sub>	12 <sup>3</sup> / <sub>8</sub>	13	4F	18 <sup>3</sup> / <sub>8</sub>	11 <sup>5</sup> / <sub>8</sub>	14	21	8 <sup>1</sup> / <sub>2</sub>	27 <sup>1</sup> / <sub>2</sub>	13 <sup>1</sup> / <sub>4</sub>	13 <sup>1</sup> / <sub>4</sub>	37 <sup>1</sup> / <sub>4</sub>	6F	6F	75.7	568
E14208L	G14408L	26	6F	18 <sup>3</sup> / <sub>8</sub>	12 <sup>3</sup> / <sub>8</sub>	13	4F	18 <sup>3</sup> / <sub>8</sub>	11 <sup>5</sup> / <sub>8</sub>	14	21	8 <sup>1</sup> / <sub>2</sub>	39 <sup>1</sup> / <sub>2</sub>	13 <sup>1</sup> / <sub>4</sub>	13 <sup>1</sup> / <sub>4</sub>	49 <sup>1</sup> / <sub>4</sub>	6F	6F	102.4	664
E14210L	G14410L	26	6F	18 <sup>3</sup> / <sub>8</sub>	12 <sup>3</sup> / <sub>8</sub>	13	4F	18 <sup>3</sup> / <sub>8</sub>	11 <sup>5</sup> / <sub>8</sub>	14	21	8 <sup>1</sup> / <sub>2</sub>	51 <sup>1</sup> / <sub>2</sub>	13 <sup>1</sup> / <sub>4</sub>	13 <sup>1</sup> / <sub>4</sub>	61 <sup>1</sup> / <sub>4</sub>	6F	6F	129.1	756
E14212L	G14412L	26	6F	18 <sup>3</sup> / <sub>8</sub>	12 <sup>3</sup> / <sub>8</sub>	13	4F	18 <sup>3</sup> / <sub>8</sub>	11 <sup>5</sup> / <sub>8</sub>	14	21	8 <sup>1</sup> / <sub>2</sub>	63 <sup>1</sup> / <sub>2</sub>	13 <sup>1</sup> / <sub>4</sub>	13 <sup>1</sup> / <sub>4</sub>	73 <sup>1</sup> / <sub>4</sub>	6F	6F	155.8	847
E14214L	G14414L	26	6F	18 <sup>3</sup> / <sub>8</sub>	12 <sup>3</sup> / <sub>8</sub>	13	4F	18 <sup>3</sup> / <sub>8</sub>	11 <sup>5</sup> / <sub>8</sub>	14	21	8 <sup>1</sup> / <sub>2</sub>	75 <sup>1</sup> / <sub>2</sub>	13 <sup>1</sup> / <sub>4</sub>	13 <sup>1</sup> / <sub>4</sub>	85 <sup>1</sup> / <sub>4</sub>	6F	6F	182.5	937
E14216L	G14416L	26	6F	18 <sup>3</sup> / <sub>8</sub>	12 <sup>3</sup> / <sub>8</sub>	13	4F	18 <sup>3</sup> / <sub>8</sub>	11 <sup>5</sup> / <sub>8</sub>	14	21	8 <sup>1</sup> / <sub>2</sub>	87 <sup>1</sup> / <sub>2</sub>	13 <sup>1</sup> / <sub>4</sub>	13 <sup>1</sup> / <sub>4</sub>	97 <sup>1</sup> / <sub>4</sub>	6F	6F	209.2	1029
E14218L	G14418L	26	6F	18 <sup>3</sup> / <sub>8</sub>	12 <sup>3</sup> / <sub>8</sub>	13	4F	18 <sup>3</sup> / <sub>8</sub>	11 <sup>5</sup> / <sub>8</sub>	14	21	8 <sup>1</sup> / <sub>2</sub>	99 <sup>1</sup> / <sub>2</sub>	13 <sup>1</sup> / <sub>4</sub>	13 <sup>1</sup> / <sub>4</sub>	109 <sup>1</sup> / <sub>4</sub>	6F	6F	236.0	1120
E14220L	G14420L	26	6F	18 <sup>3</sup> / <sub>8</sub>	12 <sup>3</sup> / <sub>8</sub>	13	4F	18 <sup>3</sup> / <sub>8</sub>	11 <sup>5</sup> / <sub>8</sub>	14	21	8 <sup>1</sup> / <sub>2</sub>	111 <sup>1</sup> / <sub>2</sub>	13 <sup>1</sup> / <sub>4</sub>	13 <sup>1</sup> / <sub>4</sub>	121 <sup>1</sup> / <sub>4</sub>	6F	6F	262.7	1212

## 16 Inch Diameter

E16206L	G16406L	28 <sup>1</sup> / <sub>2</sub>	6F	19 <sup>5</sup> / <sub>8</sub>	13 <sup>3</sup> / <sub>8</sub>	14 <sup>1</sup> / <sub>4</sub>	4F	19 <sup>5</sup> / <sub>8</sub>	12 <sup>1</sup> / <sub>8</sub>	16	23 <sup>1</sup> / <sub>2</sub>	9 <sup>3</sup> / <sub>4</sub>	25 <sup>1</sup> / <sub>2</sub>	14 <sup>1</sup> / <sub>2</sub>	14 <sup>1</sup> / <sub>2</sub>	37	8F	8F	104.5	745
E16208L	G16408L	28 <sup>1</sup> / <sub>2</sub>	6F	19 <sup>5</sup> / <sub>8</sub>	13 <sup>3</sup> / <sub>8</sub>	14 <sup>1</sup> / <sub>4</sub>	4F	19 <sup>5</sup> / <sub>8</sub>	12 <sup>1</sup> / <sub>8</sub>	16	23 <sup>1</sup> / <sub>2</sub>	9 <sup>3</sup> / <sub>4</sub>	37 <sup>1</sup> / <sub>2</sub>	14 <sup>1</sup> / <sub>2</sub>	14 <sup>1</sup> / <sub>2</sub>	49	8F	8F	141.4	863
E16210L	G16410L	28 <sup>1</sup> / <sub>2</sub>	6F	19 <sup>5</sup> / <sub>8</sub>	13 <sup>3</sup> / <sub>8</sub>	14 <sup>1</sup> / <sub>4</sub>	4F	19 <sup>5</sup> / <sub>8</sub>	12 <sup>1</sup> / <sub>8</sub>	16	23 <sup>1</sup> / <sub>2</sub>	9 <sup>3</sup> / <sub>4</sub>	49 <sup>1</sup> / <sub>2</sub>	14 <sup>1</sup> / <sub>2</sub>	14 <sup>1</sup> / <sub>2</sub>	61	8F	8F	178.4	981
E16212L	G16412L	28 <sup>1</sup> / <sub>2</sub>	6F	19 <sup>5</sup> / <sub>8</sub>	13 <sup>3</sup> / <sub>8</sub>	14 <sup>1</sup> / <sub>4</sub>	4F	19 <sup>5</sup> / <sub>8</sub>	12 <sup>1</sup> / <sub>8</sub>	16	23 <sup>1</sup> / <sub>2</sub>	9 <sup>3</sup> / <sub>4</sub>	61 <sup>1</sup> / <sub>2</sub>	14 <sup>1</sup> / <sub>2</sub>	14 <sup>1</sup> / <sub>2</sub>	73	8F	8F	215.3	1105
E16214L	G16414L	28 <sup>1</sup> / <sub>2</sub>	6F	19 <sup>5</sup> / <sub>8</sub>	13 <sup>3</sup> / <sub>8</sub>	14 <sup>1</sup> / <sub>4</sub>	4F	19 <sup>5</sup> / <sub>8</sub>	12 <sup>1</sup> / <sub>8</sub>	16	23 <sup>1</sup> / <sub>2</sub>	9 <sup>3</sup> / <sub>4</sub>	73 <sup>1</sup> / <sub>2</sub>	14 <sup>1</sup> / <sub>2</sub>	14 <sup>1</sup> / <sub>2</sub>	85	8F	8F	252.2	1187
E16216L	G16416L	28 <sup>1</sup> / <sub>2</sub>	6F	19 <sup>5</sup> / <sub>8</sub>	13 <sup>3</sup> / <sub>8</sub>	14 <sup>1</sup> / <sub>4</sub>	4F	19 <sup>5</sup> / <sub>8</sub>	12 <sup>1</sup> / <sub>8</sub>	16	23 <sup>1</sup> / <sub>2</sub>	9 <sup>3</sup> / <sub>4</sub>	85 <sup>1</sup> / <sub>2</sub>	14 <sup>1</sup> / <sub>2</sub>	14 <sup>1</sup> / <sub>2</sub>	97	8F	8F	289.1	1305
E16218L	G16418L	28 <sup>1</sup> / <sub>2</sub>	6F	19 <sup>5</sup> / <sub>8</sub>	13 <sup>3</sup> / <sub>8</sub>	14 <sup>1</sup> / <sub>4</sub>	4F	19 <sup>5</sup> / <sub>8</sub>	12 <sup>1</sup> / <sub>8</sub>	16	23 <sup>1</sup> / <sub>2</sub>	9 <sup>3</sup> / <sub>4</sub>	97 <sup>1</sup> / <sub>2</sub>	14 <sup>1</sup> / <sub>2</sub>	14 <sup>1</sup> / <sub>2</sub>	109	8F	8F	326.0	1424
E16220L	G16420L	28 <sup>1</sup> / <sub>2</sub>	6F	19 <sup>5</sup> / <sub>8</sub>	13 <sup>3</sup> / <sub>8</sub>	14 <sup>1</sup> / <sub>4</sub>	4F	19 <sup>5</sup> / <sub>8</sub>	12 <sup>1</sup> / <sub>8</sub>	16	23 <sup>1</sup> / <sub>2</sub>	9 <sup>3</sup> / <sub>4</sub>	109 <sup>1</sup> / <sub>2</sub>	14 <sup>1</sup> / <sub>2</sub>	14 <sup>1</sup> / <sub>2</sub>	121	8F	8F	363.0	1541

\* Dimensions are ANSI. For TEMA, consult factory.

\*\* E Code heating surfaces are equal or greater. Please consult submittals for actual heating surfaces.



# Dimensional Data

## Sizing and Selection

Refer to Selection Guide 200-2A for manual selection procedure.

Computer selections available through TACO Representatives.

Following data is required:

1. Flow in tubes (GPM).
2. Entering liquid temperature in tubes (°F).
3. Leaving liquid temperature in tubes (°F).
4. Flow in shell (GPM).
5. Entering liquid temperature in shell (°F).
6. Leaving liquid temperature in shell (°F).
7. Fouling factors.
8. Properties of fluids (if other than water).

If using fluid not available in the selection tool please contact your local Taco Representative.

<https://www.tacomfort.com/rep-locator/>

Taco's Product Selection Tools include:

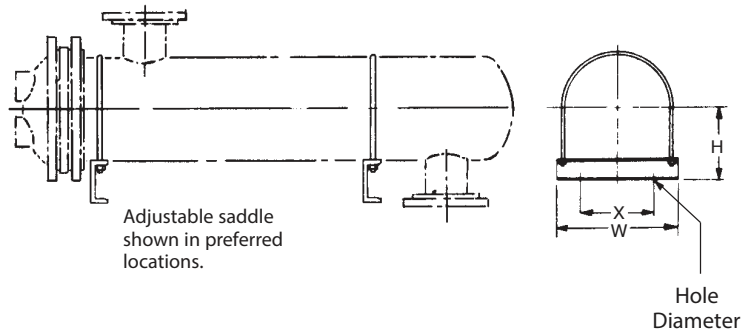
Expansion Tank Sizing, Air/Dirt Separators, Buffer Tanks, Multi-Purpose Tanks, Shell and Tube Heat Exchangers, and Brazed Plate Heat Exchangers which can be found at:

<https://apps.tacomfort.com/>

For Plate and Frame Selections please contact your local Taco Representative

## Typical Saddle Dimensions (Optional)

Unit Size	Dimensions (inches)			
	H	W	X	Hole Dia.
4	5 <sup>1</sup> / <sub>4</sub>	6 <sup>15</sup> / <sub>16</sub>	5 <sup>1</sup> / <sub>2</sub>	5/8
6	6 <sup>5</sup> / <sub>16</sub>	9 <sup>1</sup> / <sub>4</sub>	7 <sup>1</sup> / <sub>2</sub>	5/8
8	7 <sup>5</sup> / <sub>16</sub>	11 <sup>1</sup> / <sub>4</sub>	9	5/8
10	8 <sup>3</sup> / <sub>8</sub>	13 <sup>5</sup> / <sub>8</sub>	10	5/8
12	9 <sup>3</sup> / <sub>8</sub>	15 <sup>3</sup> / <sub>8</sub>	11	5/8
14	10	17	12	3/4
16	12	19	13	3/4
18	13	21	14	3/4
20	14	23	14	3/4
22	17	25	18	3/4
24	18	27	19	3/4
26	19	30	20	3/4
30	21	33	22	3/4



Note: Two adjustable U-bolt type saddles furnished when specified only.





A Taco Family Company

Taco Inc., 1160 Cranston Street, Cranston, RI 02920 / (401) 942-8000 / Fax (401) 942-2360  
Taco (Canada) Ltd., 8450 Lawson Road, Unit #3, Milton, Ontario L9T 0J8 / (905) 564-9422 / Fax (905) 564-9436