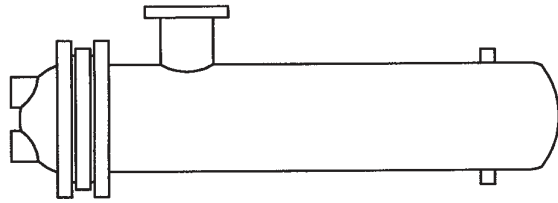


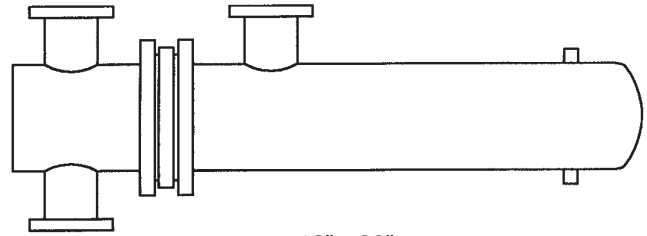
Steam to Liquid Heat Exchangers



Features



4" - 10"



12" - 30"

Features

- Designed, constructed and tested to ASME Section VIII, Div. 1 requirements
- NSF/ANSI 372 Certified and Listed
- High degree of flexibility in materials to meet varying application requirements
- Available in 2 or 4 pass construction
- All fabrication done in-house
- Computerized selections to ensure fast and easy design
- National Board Registration
- CRN registration (optional)



Performance Data

- Connection sizes: 1-14"
- Diameters: 4-30"
- Max. Length: 10 ft. Standard
- Working Pressure: 150 PSI Standard tube side, 150 PSI shell side, (Optional Higher Pressures)
- Max. Operating Temperature: 375°F
- (Optional Higher Temperatures)

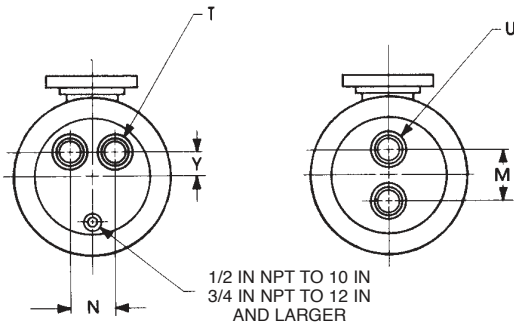
Materials of Construction

	STANDARD	OPTIONAL
Shell	Fabricated Steel	304ss/316ss Duplex 2205
Head 4" - 10"	Cast Iron Threaded Connections	Fabricated Steel, 304ss/316ss, Duplex 2205 Flanged
Head 12" - 30"	Fabricated Steel Flanged	Cast Steel (12"-16") Flanged, 304ss/316ss Duplex 2205 Flanged
Tubes	3/4 X 20 BWG Copper	3/4 X 18 BWG Copper, 90/10 Cupro-Nickel, Steel, 304ss, 316ss, Duplex 2205
Tube Sheet	Steel	304ss, 316ss, 90/10 CuNi, Brass, Duplex 2205
Separators	Steel	304ss, 316ss, 90/10 CuNi, Brass, Duplex 2205
Tie Rods	Copper	304ss, 316ss
Nuts and Bolts	Steel	Consult Factory

Typical Dimensions

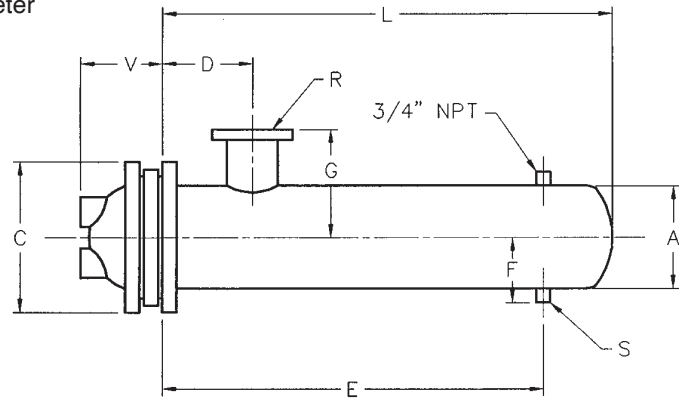
Model Number Key

E/G 8 2 18 S ——— Steam to water type (steam in shell)
 Tube bundle length
 (this figure x 6 inches)
 Number of tube passes
 Nominal shell diameter
 U tube



4 Pass

2 Pass



(Note: Steam inlet (R) is threaded through G10204S)

4 Inch Diameter

Model Number		Cast Iron Heads						Dimensions (Inches)								G Code Heating Surface (Sq. Ft.)**	Shipping Weight (Lbs.)	
2 Pass	4 Pass	2 Pass		4 Pass				2 and 4 Pass										
		M	U	N	T	Y	V	A	C*	D	E	F	G	L	R	S		
G4204S	G4404S	2 1/2	1 1/2T	2 3/8	1T	7/8	2 5/8	4 1/2	9	5	19 1/2	4	4	24 1/2	1 1/4T	1T	4.6	65
G4206S	G4406S	2 1/2	1 1/2T	2 3/8	1T	7/8	2 5/8	4 1/2	9	5	31 1/2	4	4	36 1/2	1 1/4T	1T	7.0	75
G4208S	G4408S	2 1/2	1 1/2T	2 3/8	1T	7/8	2 5/8	4 1/2	9	5	43 1/2	4	4	48 1/2	1 1/4T	1T	9.3	84
G4210S	G4410S	2 1/2	1 1/2T	2 3/8	1T	7/8	2 5/8	4 1/2	9	5	55 1/2	4	4	60 1/2	1 1/4T	1T	11.7	94
G4212S	G4412S	2 1/2	1 1/2T	2 3/8	1T	7/8	2 5/8	4 1/2	9	5	67 1/2	4	3 7/8	72 1/2	1 1/2T	1T	14.1	104
G4214S	G4414S	2 1/2	1 1/2T	2 3/8	1T	7/8	2 5/8	4 1/2	9	5	79 1/2	4	3 3/4	84 1/2	1 1/2T	1T	16.4	114
G4216S	G4416S	2 1/2	1 1/2T	2 3/8	1T	7/8	2 5/8	4 1/2	9	5	91 1/2	4	3 3/4	96 1/2	1 1/2T	1T	18.8	124
G4218S	G4418S	2 1/2	1 1/2T	2 3/8	1T	7/8	2 5/8	4 1/2	9	5	103 1/2	4	3 3/4	108 1/2	1 1/2T	1T	21.1	134
G4220S	G4420S	2 1/2	1 1/2T	2 3/8	1T	7/8	2 5/8	4 1/2	9	5	115 1/2	4	3 3/4	120 1/2	1 1/2T	1T	23.5	144

6 Inch Diameter

E6204S	G6404S	4	2T	3 3/4	1 1/2T	1 1/4	2 7/8	6 5/8	11	5	18 1/2	4 7/8	4 7/8	25	1 1/2T	1T	9.1	120
E6206S	G6406S	4	2T	3 3/4	1 1/2T	1 1/4	2 7/8	6 5/8	11	5	30 1/2	4 7/8	4 7/8	37	2T	1T	13.8	148
E6208S	G6408S	4	2T	3 3/4	1 1/2T	1 1/4	2 7/8	6 5/8	11	5	42 1/2	4 7/8	5 3/4	49	2 1/2	1T	18.5	182
E6210S	G6410S	4	2T	3 3/4	1 1/2T	1 1/4	2 7/8	6 5/8	11	5	54 1/2	4 7/8	5 3/4	61	2 1/2	1T	23.2	207
E6212S	G6412S	4	2T	3 3/4	1 1/2T	1 1/4	2 7/8	6 5/8	11	5	66 1/2	4 7/8	5 9/16	73	3T	1T	27.9	235
E6214S	G6414S	4	2T	3 3/4	1 1/2T	1 1/4	2 7/8	6 5/8	11	5	78 1/2	4 7/8	5 9/16	85	3T	1T	32.6	262
E6216S	G6416S	4	2T	3 3/4	1 1/2T	1 1/4	2 7/8	6 5/8	11	5	90 1/2	4 7/8	5 9/16	97	3T	1T	37.3	290
E6218S	G6418S	4	2T	3 3/4	1 1/2T	1 1/4	2 7/8	6 5/8	11	5	102 1/2	4 7/8	5 9/16	109	3T	1T	42.1	318
E6220S	G6420S	4	2T	3 3/4	1 1/2T	1 1/4	2 7/8	6 5/8	11	5	114 1/2	4 7/8	5 9/16	121	3T	1T	46.8	346

8 Inch Diameter

E8204S	G8404S	5	3T	4	2T	2	3 3/8	8 5/8	13 1/2	8	18	6	6	24	2T	1T	16.5	192
E8206S	G8406S	5	3T	4	2T	2	3 3/8	8 5/8	13 1/2	8	30	6	6 7/8	36	2 1/2T	1T	25.1	234
E8208S	G8408S	5	3T	4	2T	2	3 3/8	8 5/8	13 1/2	8	42	6	6 13/16	48	3T	1T	33.7	283
E8210S	G8410S	5	3T	4	2T	2	3 3/8	8 5/8	13 1/2	8	54	6	9 1/16	60	4F	1T	42.4	326
E8212S	G8412S	5	3T	4	2T	2	3 3/8	8 5/8	13 1/2	8	66	6	9 1/16	72	4F	1 1/4T	51.0	369
E8214S	G8414S	5	3T	4	2T	2	3 3/8	8 5/8	13 1/2	8	78	6	9 1/16	84	4F	1 1/4T	59.7	390
E8216S	G8416S	5	3T	4	2T	2	3 3/8	8 5/8	13 1/2	8	90	6	9 1/16	96	6F	1 1/4T	68.3	453
E8218S	G8418S	5	3T	4	2T	2	3 3/8	8 5/8	13 1/2	8	102	6	9 1/16	108	6F	1 1/4T	76.9	496
E8220S	G8420S	5	3T	4	2T	2	3 3/8	8 5/8	13 1/2	8	114	6	9 1/16	120	6F	1 1/4T	85.6	540

* Dimensions are ANSI. For TEMA, consult factory.

** E Code heating surfaces are equal or greater. Please consult submittals for actual heating surfaces.

Dimensional Data

30 Inch Diameter

Model Number		Fabricated Steel Heads								Dimensions (Inches)								G Code Heating Surface (Sq. Ft.)**	Shipping Weight (Lbs.)	
2 Pass	4 Pass	2 Pass				4 Pass				2 and 4 Pass										
		P	U	V	Z	N	T	V	Z	A	C*	D	E	F	G	L	R	S		
E30206S	G30406S	42	14F	31 ⁷ / ₈	21 ¹ / ₈	20 ³ / ₄	10F	31 ⁷ / ₈	19 ⁵ / ₈	30	38 ³ / ₄	16	23	21 ¹ / ₂	22	38	16F	6F	377.6	2567
E30208S	G30408S	42	14F	31 ⁷ / ₈	21 ¹ / ₈	20 ³ / ₄	10F	31 ⁷ / ₈	19 ⁵ / ₈	30	38 ³ / ₄	16	35	21 ¹ / ₂	22	50	16F	6F	520.5	2886
E30210S	G30410S	42	14F	31 ⁷ / ₈	21 ¹ / ₈	20 ³ / ₄	10F	31 ⁷ / ₈	19 ⁵ / ₈	30	38 ³ / ₄	16	47	21 ¹ / ₂	22	62	16F	6F	663.4	3205
E30212S	G30412S	42	14F	31 ⁷ / ₈	21 ¹ / ₈	20 ³ / ₄	10F	31 ⁷ / ₈	19 ⁵ / ₈	30	38 ³ / ₄	16	59	21 ¹ / ₂	22	74	16F	6F	806.3	3524
E30214S	G30414S	42	14F	31 ⁷ / ₈	21 ¹ / ₈	20 ³ / ₄	10F	31 ⁷ / ₈	19 ⁵ / ₈	30	38 ³ / ₄	16	71	21 ¹ / ₂	22	86	16F	6F	949.2	3843
E30216S	G30416S	42	14F	31 ⁷ / ₈	21 ¹ / ₈	20 ³ / ₄	10F	31 ⁷ / ₈	19 ⁵ / ₈	30	38 ³ / ₄	16	83	21 ¹ / ₂	22	98	16F	6F	1092.0	4162
E30218S	G30418S	42	14F	31 ⁷ / ₈	21 ¹ / ₈	20 ³ / ₄	10F	31 ⁷ / ₈	19 ⁵ / ₈	30	38 ³ / ₄	17	95	21 ¹ / ₂	22	110	18F	8F	1235.0	4481
E30220S	G30420S	42	14F	31 ⁷ / ₈	21 ¹ / ₈	20 ³ / ₄	10F	31 ⁷ / ₈	19 ⁵ / ₈	30	38 ³ / ₄	17	107	21 ¹ / ₂	22	122	18F	8F	1378.0	4800

* Dimensions are ANSI. For TEMA, consult factory.

** E Code heating surfaces are equal or greater. Please consult submittals for actual heating surfaces.

Sizing and Selection

Refer to Selection Guide 200-1A for manual selection procedure.

Computer selections available through TACO Representatives.

Following data is required:

1. Steam pressure at heat exchanger.
2. Flow in tubes (GPM).
3. Type of fluid in tubes.
4. Properties of fluids (if other than water).
5. Temperature in.
6. Temperature out.
7. Fouling factor.

If using fluid not available in the selection tool please contact your local Taco Representative.

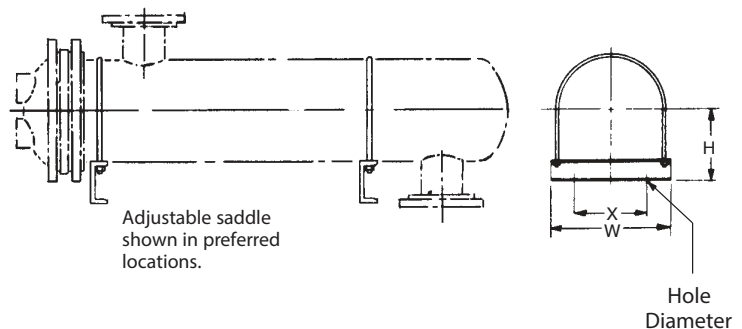
<https://www.tacomfort.com/rep-locator/>

Taco's Product Selection Tools include Expansion Tank Sizing, Air/Dirt Separators, Buffer Tanks, Multi-Purpose Tanks, Shell and Tube Heat Exchangers, and Brazed Plate Heat Exchangers which can be found at <https://apps.tacomfort.com/>

For Plate and Frame Selections please contact your local Taco Representative

Typical Saddle Dimensions (Optional)

Unit Size	Dimensions (inches)			
	H	W	X	Hole Dia.
4	5 ¹ / ₄	6 ¹⁵ / ₁₆	5 ¹ / ₂	5/8
6	6 ⁵ / ₁₆	9 ¹ / ₄	7 ¹ / ₂	5/8
8	7 ⁵ / ₁₆	11 ¹ / ₄	9	5/8
10	8 ³ / ₈	13 ⁵ / ₈	10	5/8
12	9 ³ / ₈	15 ⁵ / ₈	11	5/8
14	10	17	12	3/4
16	12	19	13	3/4
18	13	21	14	3/4
20	14	23	14	3/4
22	17	25	18	3/4
24	18	27	19	3/4
26	19	30	20	3/4
30	21	33	22	3/4



Note: Two adjustable U-bolt type saddles furnished when specified only.

Notes





A Taco Family Company

Taco Inc., 1160 Cranston Street, Cranston, RI 02920 / (401) 942-8000 / Fax (401) 942-2360
Taco (Canada) Ltd., 8450 Lawson Road, Unit #3, Milton, Ontario L9T 0J8 / (905) 564-9422 / Fax (905) 564-9436