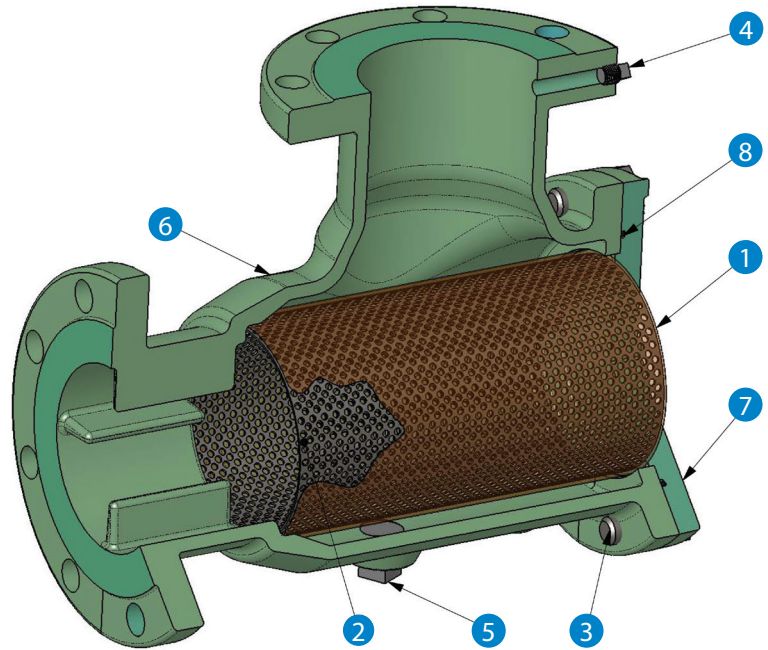


Suction Diffuser Rear Strainer Pullout (RSP)



Features & Benefits

- 1 Disposable Start Up Strainer
- 2 Permanent Stainless Steel Strainer
- 3 Bolts for Removable Service Cover
- 4 Metering Port
- 5 Blow Down Port
- 6 Ductile Iron Diffuser Body
- 7 Removable Service Cover
- 8 Reusable "O" Ring



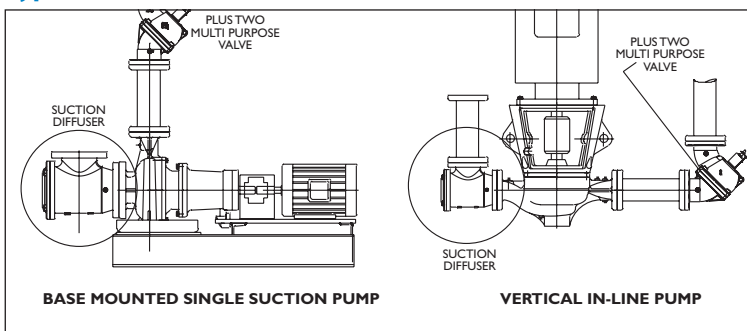
Features & Benefits

- Integral cast straightening vanes ensure uniform flow to the suction inlet of the pump
- Oversized body cylinder ensures minimal pressure drop
- Metering port allows for the monitoring of system conditions
- Disposable fine mesh start-up strainer promotes cleaner more trouble free system
- Removable cover plate and reusable "O" ring allows for easy access and maintenance of permanent strainer
- Blow down port allows for routine maintenance and removal of sediment and debris
- Ductile iron body on all units
- Optional magnetic insert to trap small metallic particles
- Available in *125 psi or 250 psi working pressures
- Grooved adapters available

Materials of Construction

Body:.....	Ductile Iron
Cover:.....	Ductile Iron
Straightening Vanes:	Integral - Ductile Iron
Permanent Strainer:	Stainless Steel (304)
Disposable Start Up Strainer:.....	Bronze (16 Mesh)
Cover "O" Ring:	EPDM
Grooved Adapter:	Steel

Typical Installation



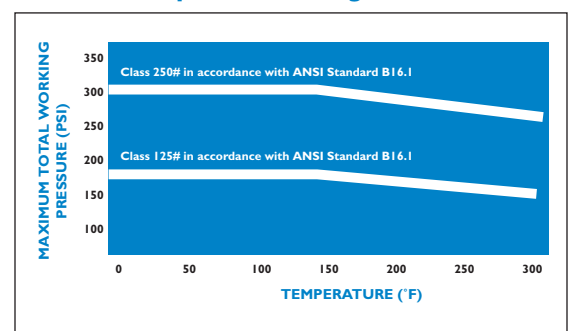
Design

The Taco Suction Diffuser incorporates numerous features into one device that simplifies installations and reduces installation costs. It is a flow straightening device that provides maximum flow efficiency at the suction inlet of the pump while at the same time reducing space and fitting requirements and eliminating the need for an equivalent length of ten pipe diameters of straight run on the suction side of the pump. It is an elbow (and in some cases a reducing elbow) with a built in strainer that is easily maintained and will provide years of trouble free system performance.

The Taco Suction Diffuser is available in a wide variety of sizes and in *125 psi or 250 psi working pressures with a flanged by flanged connection. Grooved adapters are available for purchase to meet your system needs.

* See Pressure-Temperature Chart.

Pressure-Temperature Ratings

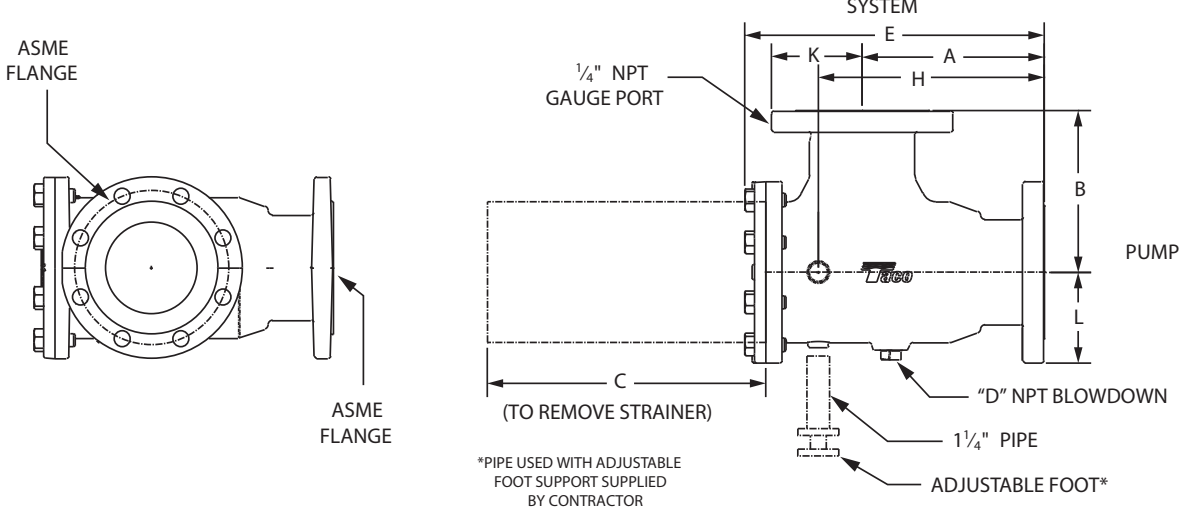


Flanged — Suction Diffuser Rear Strainer Pullout (RSP)

Model Number	System	Pump	C _v	Free Area (sq. in.)	A (Class 125)*	A (Class 250)*	B	C	D	E (Class 125)*	E (Class 250)*	H (Class 125)*	H (Class 250)*	K (Class 125)*	K (Class 250)*	L (Class 125)*	L (Class 250)*	WGT. (Class 125)*	WGT. (Class 250)*
SD020015-5	2 Flanged	1½ Flanged	54	21	5.69 (145)	6.06 (154)	5.39 (137)	8.49 (216)	¾	9.25 (235)	9.62 (244)	6.92 (176)	7.29 (185)	3.00 (076)	3.25 (083)	2.50 (064)	3.06 (078)	22 (010)	27 (012)
SD020020-5	2 Flanged	2 Flanged	106	21	5.44 (138)	5.69 (145)	5.39 (137)	8.24 (209)	¾	9.00 (229)	9.25 (235)	6.67 (169)	6.92 (176)	3.00 (076)	3.25 (083)	3.00 (076)	3.25 (083)	24 (011)	28 (013)
SD025020-5	2½ Flanged													3.50 (089)	3.75 (095)			27 (012)	35 (016)
SD030020-5	3 Flanged													3.75 (095)	4.12 (105)			29 (013)	39 (018)
SD025025-5	2½ Flanged	2½ Flanged	135	24	6.06 (154)	6.56 (167)	6.01 (153)	8.97 (228)	¾	9.83 (250)	10.35 (263)	7.41 (188)	7.91 (201)	3.50 (089)	3.75 (095)	3.50 (089)	3.75 (095)	38 (017)	54 (025)
SD030025-5	3 Flanged				3.75 (095)	4.12 (105)			52 (024)	65 (030)									
SD040025-5	4 Flanged				6.07 (154)	8.45 (215)			¾	8.93 (227)		7.59 (193)	4.43 (113)	4.93 (125)	52 (024)			65 (030)	
SD030030-5	3 Flanged	3 Flanged	220	35	6.86 (174)	7.62 (194)	6.56 (167)	10.47 (266)	1	11.41 (290)	12.18 (309)	8.32 (211)	9.09 (231)	3.75 (095)	4.12 (105)	3.75 (095)	4.12 (105)	50 (023)	66 (030)
SD040030-5	4 Flanged					4.50 (114)	5.00 (127)					55 (025)	72 (033)						
SD050030-5	5 Flanged					6.86 (174)	8.94 (227)					8.51 (216)	4.93 (125)	5.43 (138)	65 (030)			83 (038)	
SD040040-5	4 Flanged	4 Flanged	380	64	7.94 (202)	8.93 (227)	8.45 (215)	12.86 (327)	1	13.96 (355)	14.90 (378)	10.29 (261)	11.28 (287)	4.50 (114)	5.00 (127)	4.50 (114)	5.00 (127)	73 (033)	91 (041)
SD050040-5	5 Flanged													5.00 (127)	5.50 (140)			75 (034)	97 (044)
SD060040-5	6 Flanged													5.50 (140)	6.35 (159)			79 (036)	109 (049)
SD050050-5	5 Flanged	5 Flanged	669	100	10.06 (256)	8.94 (227)	13.21 (336)	15.36 (390)	1	16.54 (420)	12.48 (317)	12.67 (322)	5.00 (127)	5.50 (140)	5.00 (127)	5.50 (140)	90 (041)	116 (053)	
SD060050-5	6 Flanged												5.50 (140)	6.25 (159)			96 (044)	127 (058)	
SD080050-5	8 Flanged												6.68 (170)	7.43 (189)			151 (069)	194 (088)	
SD060060-5	6 Flanged	6 Flanged	985	146	11.58 (294)	12.08 (307)	11.17 (284)	19.02 (483)	1	20.39 (518)	20.89 (531)	16.17 (411)	16.67 (423)	5.50 (140)	6.25 (159)	5.50 (140)	6.25 (159)	151 (069)	193 (088)
SD080060-5	8 Flanged													6.75 (171)	7.50 (191)			170 (077)	215 (098)
SD100060-5	10 Flanged													8.00 (241)	8.75 (222)			182 (083)	238 (108)
SD080080-5	8 Flanged	8 Flanged	1657	248	14.43 (367)	15.31 (389)	13.21 (336)	23.79 (604)	1	25.32 (643)	26.19 (685)	20.22 (514)	21.1 (536)	6.75 (171)	7.50 (191)	6.75 (171)	7.50 (191)	271 (123)	319 (145)
SD100080-5	10 Flanged													8.00 (203)	8.75 (222)			284 (129)	351 (159)
SD120080-5	12 Flanged													9.50 (241)	10.25 (260)			305 (138)	388 (176)
SD100100-5	10 Flanged	10 Flanged	2650	394	18.36 (466)	19.61 (498)	14.54 (369)	29.40 (747)	1	31.10 (790)	32.35 (822)	25.64 (651)	26.89 (683)	8.00 (203)	8.75 (222)	8.00 (203)	8.75 (222)	400 (182)	482 (219)
SD120100-5	12 Flanged													9.50 (241)	10.25 (260)			420 (191)	518 (235)
SD140100-5	14 Flanged													11.50 (292)	12.75 (324)			441 (200)	557 (253)
SD120120-5	12 Flanged	12 Flanged	3000	570	20.39 (518)	22.64 (575)	16.62 (422)	33.72 (856)	1	35.50 (902)	37.75 (959)	29.83 (758)	32.08 (815)	9.50 (241)	10.25 (260)	9.50 (241)	10.25 (260)	589 (267)	703 (319)
SD140120-5	14 Flanged													11.50 (292)	12.75 (324)			617 (280)	786 (357)
SD160120-5	16 Flanged													11.75 (298)	12.75 (324)			651 (296)	802 (364)
SD140140-5	14 Flanged	14 Flanged	3940	628	22.31 (567)	19.26 (489)	34.00 (864)	1	37.66 (957)	31.61 (803)	10.50 (267)	11.50 (292)	10.50 (267)	11.50 (292)	10.50 (267)	11.50 (292)	895 (406)	1049 (476)	
SD160140-5	16 Flanged																11.75 (298)	12.75 (324)	934 (424)

NOTE: Dimensions are in inches. Metric dimensions are in millimeters and are in parentheses (). Weights are in lb (kg). 'C' is the distance required to replace strainer.

* Append 'A' for Class 250 working pressure flanged units (pump side) – e.g. Model Number SD040030-4A.



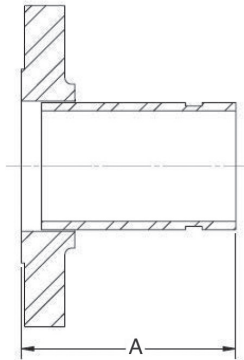
*PIPE USED WITH ADJUSTABLE FOOT SUPPORT SUPPLIED BY CONTRACTOR

Submittal Data and Performance Curves

Grooved Adapters

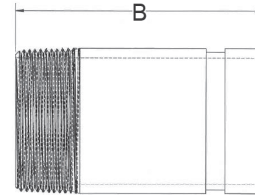
FLANGED - GROOVED

Class 125 Assembly Part No.	Class 250 Assembly Part No.	Size	"A"
FTG020-5	FTG020-5A	2"	4"
FTG025-5	FTG025-5A	2-1/2"	
FTG030-5	FTG030-5A	3"	
FTG040-5	FTG040-5A	4"	6"
FTG050-5	FTG050-5A	5"	
FTG060-5	FTG060-5A	6"	
FTG080-5	FTG080-5A	8"	8"
FTG100-5	FTG100-5A	10"	
FTG120-5	FTG120-5A	12"	
FTG140-5	FTG140-5A	14"	

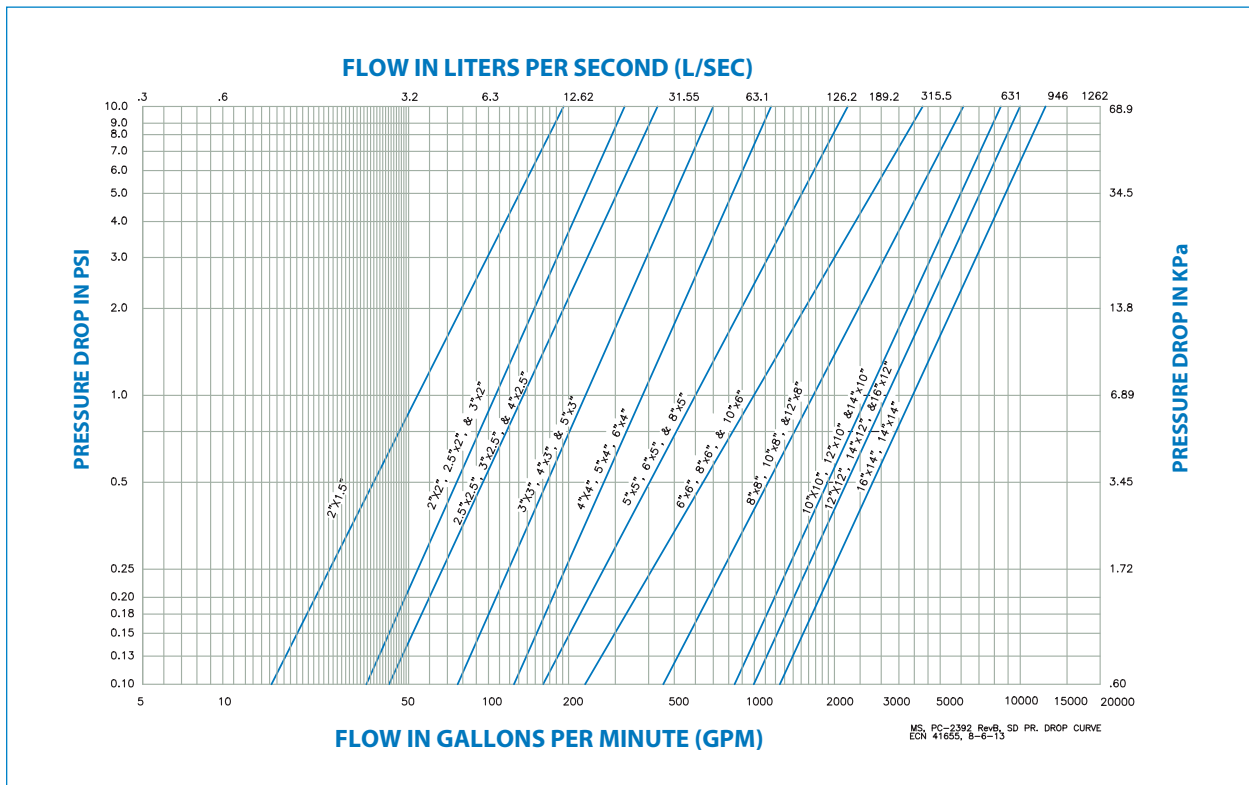


THREADED - GROOVED

Class 125 + 250 Assembly Part No.	Size	"B"
TTG015-5	1-1/2"	4"
TTG020-5	2"	
TTG025-5	2-1/2"	



NOTE: Adapters required to convert flanged and threaded Suction Diffusers to grooved.



Taco Inc., 1160 Cranston Street, Cranston, RI 02920 / (401) 942-8000 / Fax (401) 942-2360
Taco (Canada) Ltd., 8450 Lawson Road, Unit #3, Milton, Ontario L9T 0J8 / (905) 564-9422 / Fax (905) 564-9436