



BONFIRE GAS GRILL QUICK START GUIDE

IMPORTANT: Register your BONFIRE grill at bonfireoutdoor.com and download the full version of the installation instructions and owner's manual. For your safety, read the installation instructions and owner's manual before installing or operating your BONFIRE grill.



1 - SAFETY

This grill must be installed in accordance with local codes and ordinances, or, in the absence of local codes, with either the latest National Fuel Gas Code (ANSIZ223.1/NFPA 54), and Natural Gas and Propane Storage and Handling Installation Code (CSA-B149.1).

This appliance and its individual shutoff valves must be disconnected from the gas-supply piping system when testing the system at pressures in excess of 1/2 psig. This appliance must be isolated from the gas-supply piping system by closing its dedicated manual shutoff valve during any pressure testing of the gas-supply system at pressures up to and including 1/2 psig.

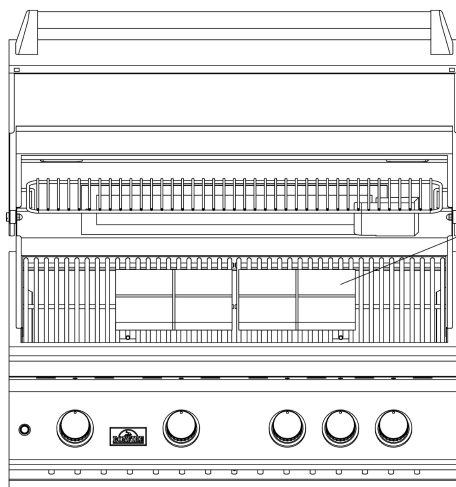
This grill is designed for outdoor use only. DO NOT use this grill under unprotected flammable surfaces. DO NOT use this grill inside a building, garage, enclosed area, or an unprotected covered area (see paragraph below). DO NOT use this grill in or on a recreational vehicle or boat. Important: When installing this grill in a COMBUSTIBLE surround, an insulating liner must be used.

If installed or used under a patio roof, the cooking grid area must be covered by an exhaust hood (with a vent) larger than the cooking surface. Refer to exhaust fan manufacturer specifications. An exhaust fan with a rating of 1,000 CFM (cubic feet per minute) (472 liters per second) or more may be necessary to effectively remove smoke and other cooking by-products from the area under the hood. This grill must not be used under unprotected overhead combustible construction. **THIS UNIT MUST NOT BE LOCATED IN A FULLY ENCLOSED AREA OF ANY KIND.**

Installation must be performed by a qualified professional service technician.

2 - UNPACKING

Carefully unpack the grill, removing all packing material and protective film. Remove foam packed hardware from oven area (see diagram below). Consult the parts list that comes with the grill. If any parts are missing or damaged, immediately contact the BONFIRE dealer before beginning installation.



1. Remove all plastic zip-ties in the grill
2. Take out the accessories
3. Make sure no plastic zip-ties, packing materials or accessories are left in the grill

3 - INSTALLATION

Location

Refer to the INSTALLATION INSTRUCTIONS section of your grill owner's manual for complete details.

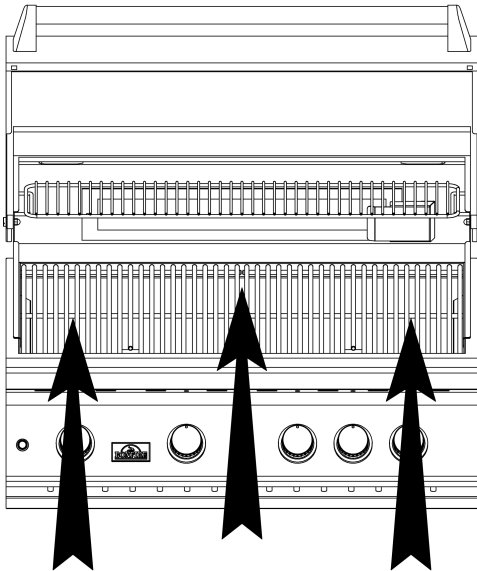
CAUTION:

Wind blowing into or across the rear grill lid vent can cause poor performance and/or dangerous overheating. Orient the grill so that the prevailing wind blows toward the front of the grill.

CAUTION:

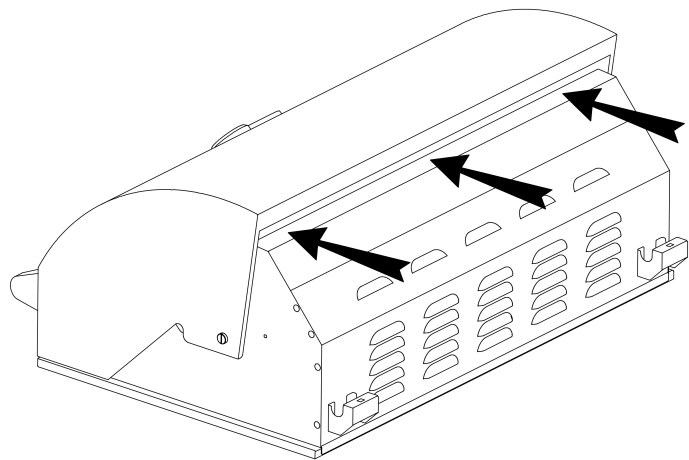
To prevent dangerous overheating, the rear of the unit must have a minimum clearance of 4" (10.2 cm) from any backsplash/wall.

CORRECT



Place grill so prevailing wind blows toward front of grill

INCORRECT



You **MUST** protect rear grill vent from prevailing wind

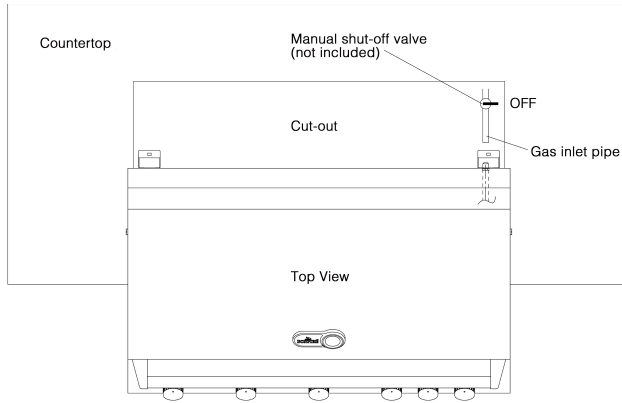
Connect Gas Supply

These quick start instructions assume a natural gas or household propane configured unit. See owner's manual for propane cylinder units.

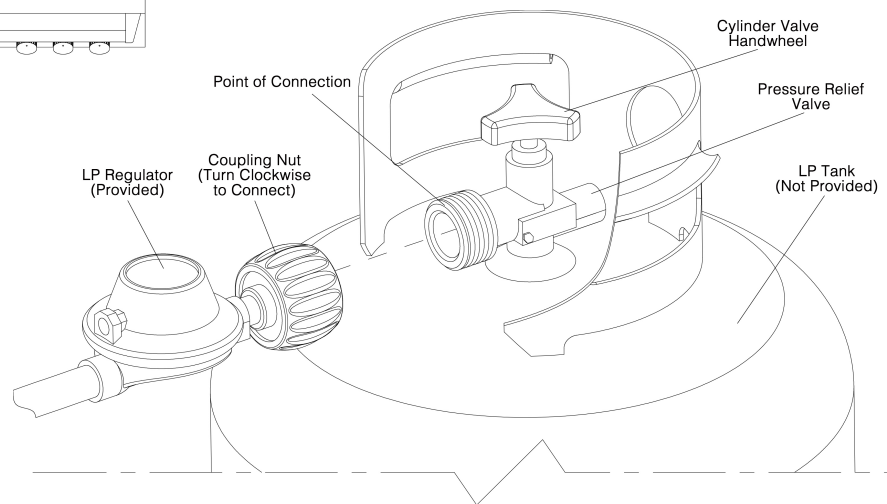
Note: This section is only an overview of installation to the gas supply. Refer to the Installation Instructions And Owner's Manual for complete grill installation details.

Remove screw protector cap from gas input pipe at back of grill. **Turn OFF the gas supply at the source.** Then connect the 1/2" pipe adapter fitting supplied with the thermoplastic hose to

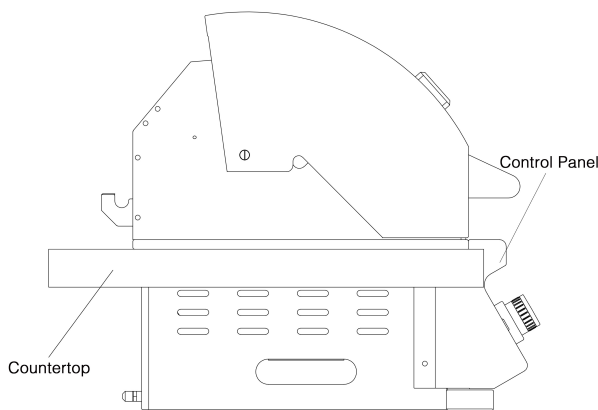
the gas input pipe. Use pipe joint compound that is resistant to all gasses on the male pipe fitting and tighten securely. When connecting to a LP cylinder use the regulator supplied with the hose to connect to a LP cylinder and tighten securely.



Turn all burner control knobs to the **OFF** position. Turn the gas supply on. Then carefully check all gas connections for leaks with a brush and half-soap/half-water solution before lighting. See **CHECKING FOR GAS LEAKS** in the Installation Instructions And Owner's Manual. **NEVER USE A MATCH OR OPEN FLAME TO TEST FOR LEAKS.**

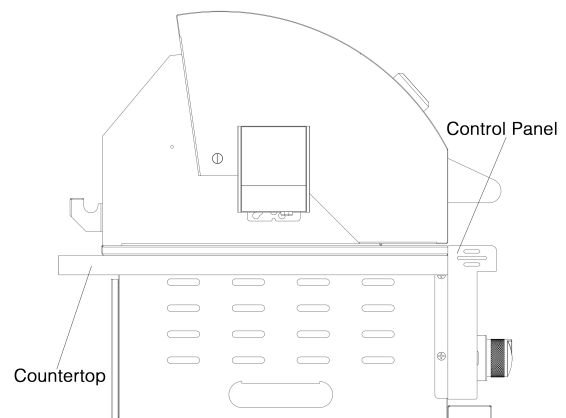


The control panel must be flush with the enclosure face as shown below. Proper grill airflow must be maintained. Do not block. It is not necessary to remove the control panel or knobs for installation.



Control panel must be flush with enclosure face

BONFIRE 3 And BONFIRE 4



Control panel must be flush with enclosure face

BONFIRE Prime 500

4 - GRILL SETUP

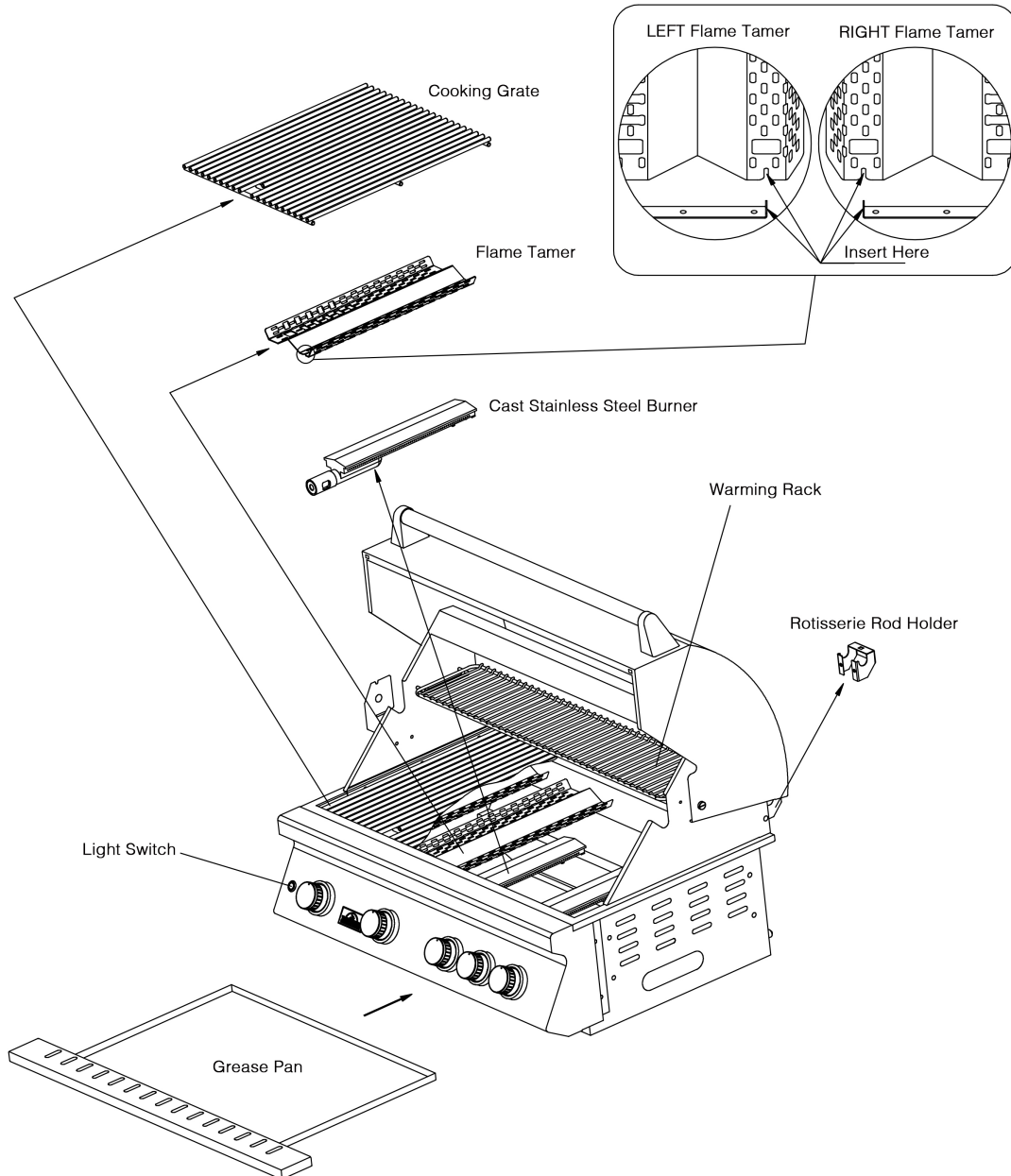
For BONFIRE 3 and BONFIRE 4 Built-In Models

Place the items according to their position and orientation in the diagram below.

Leave pre-installed burners in place to maintain proper alignment.

Warming Rack

The warming rack comes pre-installed. Remove zip ties before use.



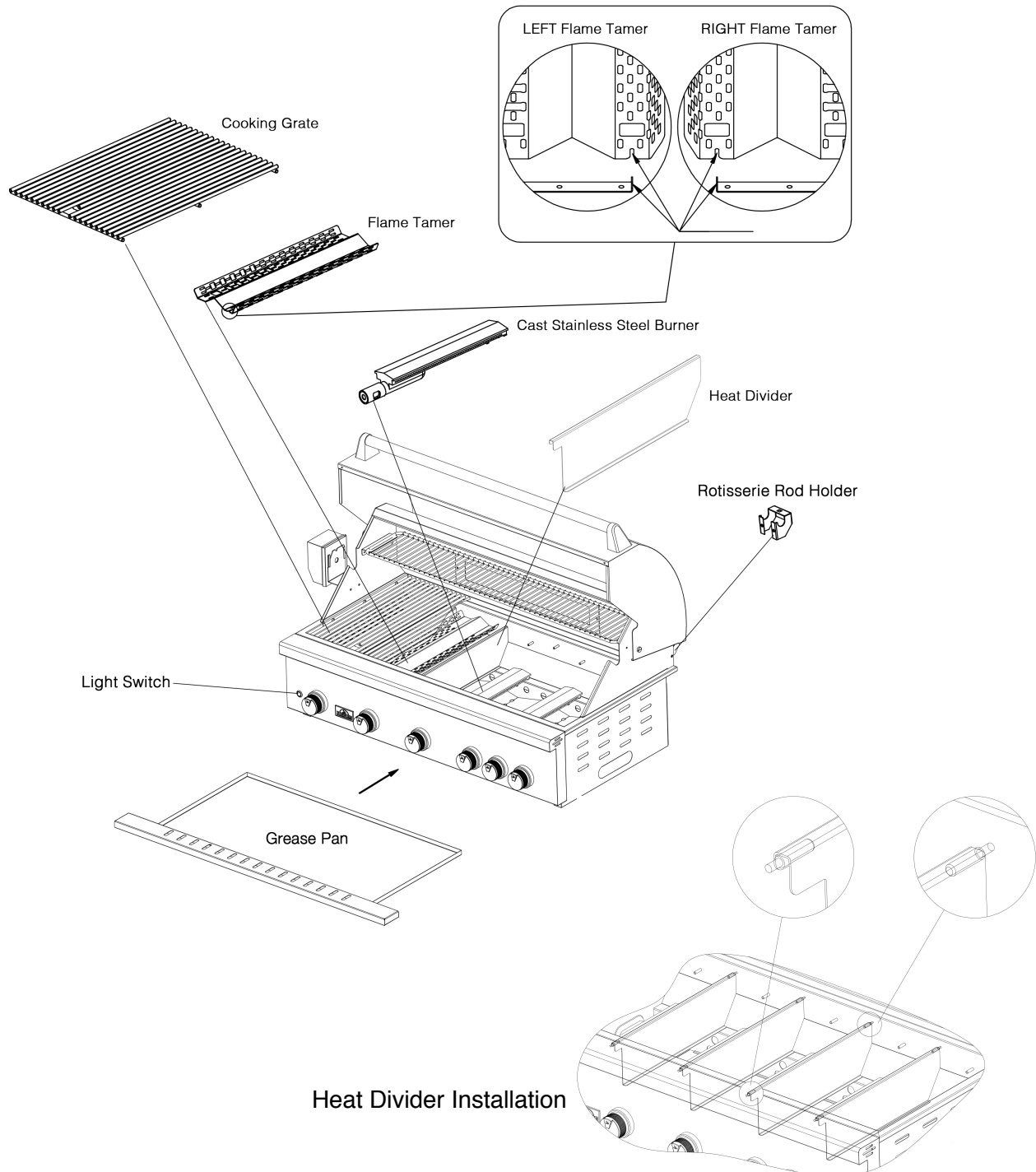
For BONFIRE Prime Built-In Models

Place the items according to their position and orientation in the diagram below.

Leave pre-installed burners in place to maintain proper alignment.

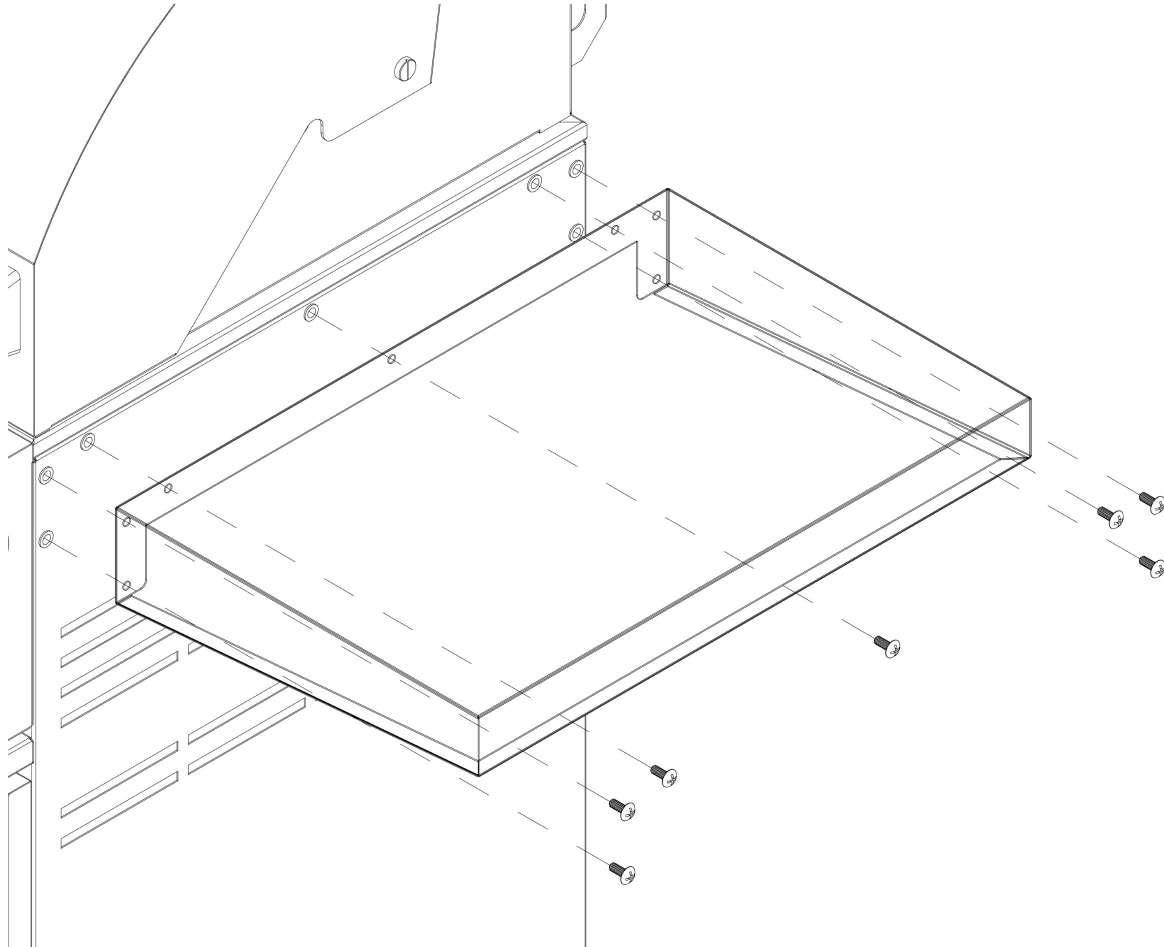
Warming Rack

The warming rack comes pre-installed. Remove zip ties before use.



For Cart Models

The cart models come with side tables. Please follow the diagram below for installation of the side tables.

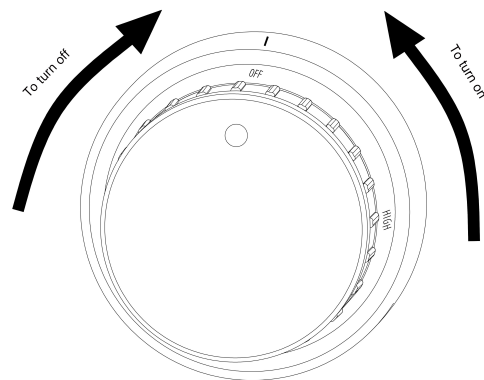


5 - TEST

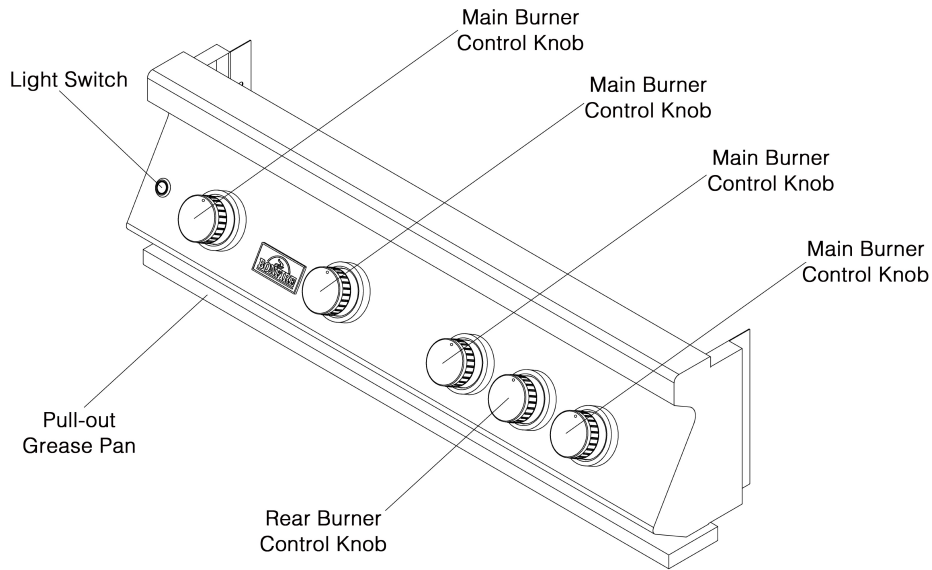
1. Open lid.
2. Turn all gas control knob(s) to their OFF position(s).
3. Turn on the gas at its source.

Note: DO NOT turn on more than one valve at a time for either electronic or manual lighting.

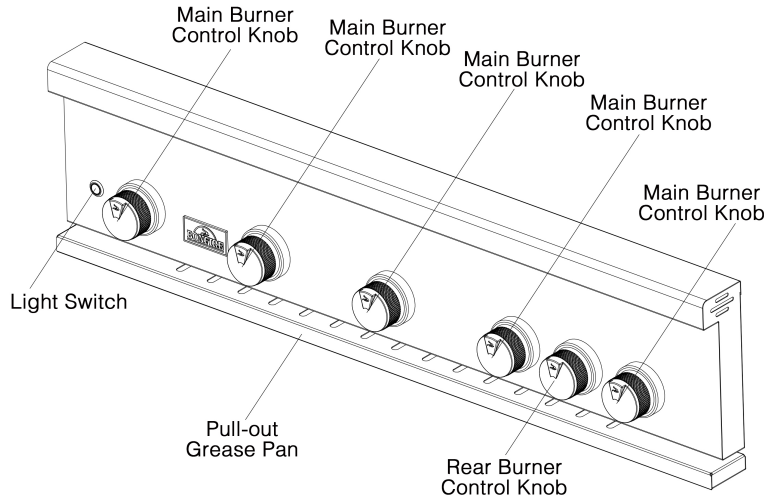
4. Depress the desired control knob, then while pressing turn it **slowly (3-4 seconds for the main burner and 5-10 seconds for the rear burner)** counterclockwise to the **HIGH** position (**hold it for 5 seconds if lighting the rear burner**). Once the burner lights, release the knob. **CAUTION:** If a burner does not ignite, depress the



knob and turn it to the **OFF** position. **WAIT FIVE (5) MINUTES** before repeating step 4. If the burners still do not light after several attempts, refer to the LIGHTING AND OPERATING INSTRUCTIONS in your grill owner's manual.



BONFIRE 3 And 4 Control Panel



BONFIRE Prime 500 Control Panel

WARNING:
WHEN OPERATING THIS APPLIANCE WITH PROPANE, ALL INSTRUCTIONS AND WARNINGS MUST BE OBSERVED. FAILURE TO DO SO MAY RESULT IN A FIRE OR EXPLOSION CAUSING SERIOUS INJURY OR DEATH.

6 - PROPANE SAFETY

FOR PROPANE CONFIGURATIONS; READ ALL SAFETY INSTRUCTIONS AND WARNINGS REGARDING THE USE OF PROPANE GAS FOUND IN YOUR OWNERS MANUAL.

7 - PACKING LIST

BONFIRE 3

Grill Head x 1

Cast Stainless Steel Burner x 3

Cooking grate x 2

Flame Tamer x 3

Warming Rack x 1

Grease Pan x 1

Rotisserie Kit x 1 set

 Motor x 1

 Motor Mount Bracket x 1

 Left Roller x 1

 Spit Fork x 1

 Spit Rod x 1

 Right Roller x 1

 Washer x 2

 Counter Balance x 1

 Handle x 1

 Bracket Screw x 2

Rotisserie Rod Holder x 2

Side Table x 2 (Cart Model Only)

Transformer x 1

LP Regulator x 1

Conversion Nut Driver x 1

Grill Cover x 1

ver.2016 r3

BONFIRE 4

Grill Head x 1

Cast Stainless Steel Burner x 4

Cooking grate x 2

Flame Tamer x 4

Warming Rack x 1

Grease Pan x 1

Rotisserie Kit x 1 set

Motor x 1

Motor Mount Bracket x 1

Left Roller x 1

Spit Fork x 1

Spit Rod x 1

Right Roller x 1

Washer x 2

Counter Balance x 1

Handle x 1

Bracket Screw x 2

Rotisserie Rod Holder x 2

Side Table x 2 (Cart Model Only)

Transformer x 1

LP Regulator x 1

Conversion Nut Driver x 1

Grill Cover x 1

ver.2016 r3

BONFIRE Prime 500

Grill Head x 1

Cast Stainless Steel Burner x 5

Cooking grate x 3

Flame Tamer x 5

Heat Divider x 4

Warming Rack x 1

Grease Pan x 1

Rotisserie Kit x 1 set

Motor x 1

Motor Mount Bracket x 1

Left Roller x 1

Spit Fork x 1

Spit Rod x 1

Right Roller x 1

Washer x 2

Counter Balance x 1

Handle x 1

Bracket Screw x 2

Rotisserie Rod Holder x 2

Side Table x 2 (Cart Model Only)

Transformer x 1

LP Regulator x 1

Conversion Nut Driver x 1

Grill Cover x 1

Thank you for choosing BONFIRE!