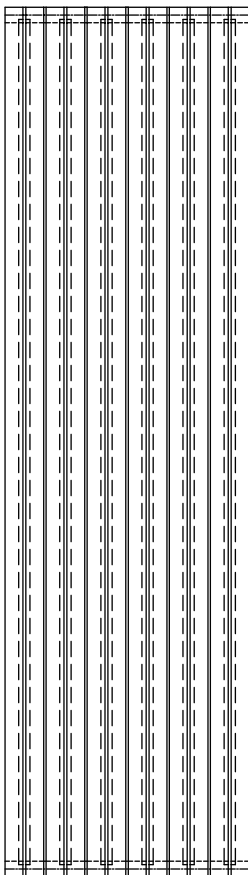


Installation Manual



Apply for following models

Please keep this page for your online registration.

No.





CAUTION

1. Follow installation instructions carefully to ensure unit is properly attached to the wall.
- 2.To avoid a possible fire hazard, it is essential unit is mounted in accordance with guidelines stated in the instruction.
- 3.Radiator is intended for indoor use only ,do not place radiator inside a shower, steam room ,or wherever unit would be exposed to water.

TECHNICAL DATA

It should only be filled with water,and at a tempe rature below100°C(212°F).See table below for installation requirements.If the temperature exceeds 48°C(or 120°F),please install a warning sign near the product to avoid burning and scolding accidents.

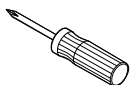
Temperature: $0^{\circ}\text{C} < t \leq 100^{\circ}\text{C}$

Comments: If ambient temperature drops below 1°C,
drain out the water to prevent freezing.

Important

Wipe the surface clean with a soft,damp cloth.Never use abrasive cleaners on this product as they will damage the surface.

TOOLS YOU MIGHT NEED



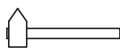
Screwdriver



Pencil



Adjustable Wrench



Rubber Hammer



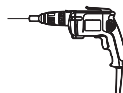
Glove



Tape Measure



Spirit Level



Electric Drill

IMPORTANT CHILD SAFETY NOTE

Important: Please note that you are 100% legally responsible for your own child's safety at home. Once the radiator is installed, it can become a hazard for children as a) This radiator is not designed to support unreasonable extra weight, such as that of a child, and b) The radiator becomes hot during use. Due to this, we must stress that you should not allow children to climb/grab/play with the radiator or rails, as this can cause accident or injury for the child, from heat, falling, or the radiator being pulled off the wall.

BEFORE INSTALLATION

- Observe all local plumbing and building codes.
- Shut off the main water supply.
- Read these instructions carefully to ensure proper installation.
- Check to make sure you have the following parts indicated below.



CAUTION

Please check you have all of these items in the box.



Wall bracket

X4



Silicone Gasket

X4



Masonry Wall Plug

X8



Long Screw

X8



Airvent

X1



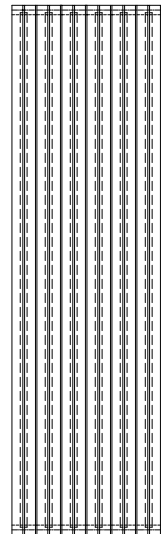
Blanking plug

X1



O-ring

X2



Body

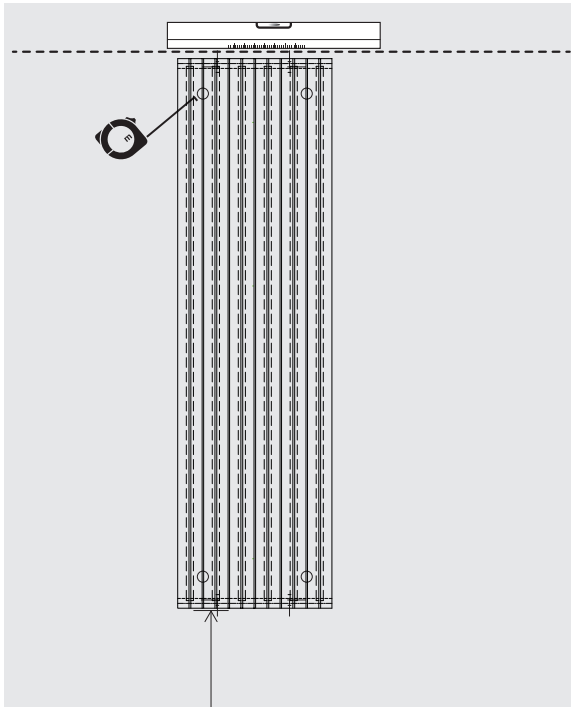
X1

INSTALLATION PROCEDURE

1

Position the towel rail in desired location, check for level and mark four equal positions for the brackets.

Make sure the radiator is installed vertically.



Allow enough room for the installation of valves and or thermostatic controls



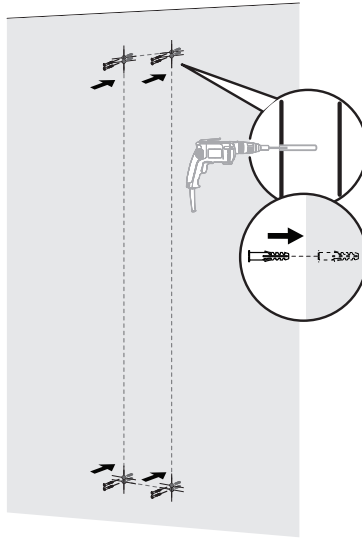
CAUTION

Before installation place a dust sheet on the floor to prevent losing any small parts.

INSTALLATION PROCEDURE

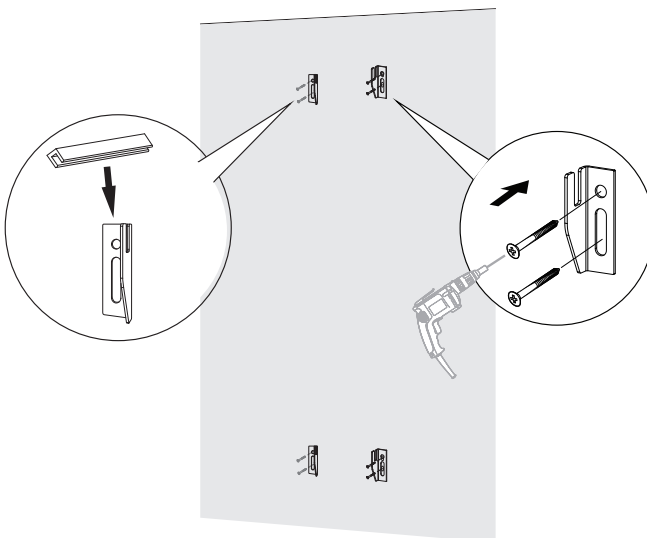
2

Drill holes in wall and insert wall plugs. N.B for false or studded walls different fixings can be purchased from your local DIY store.



3

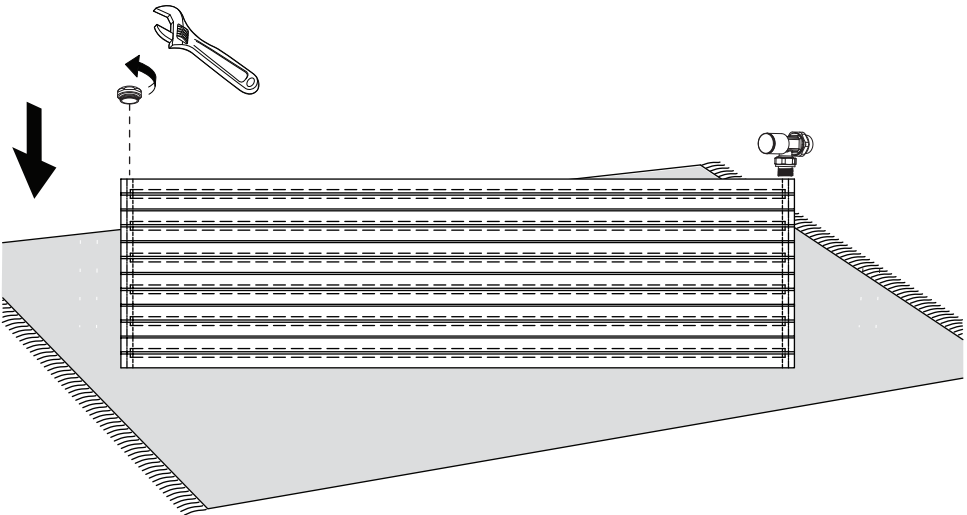
Drill holes in wall and insert wall plugs. N.B for false or studded walls different fixings can be purchased from your local DIY store.



INSTALLATION PROCEDURE

4

Wrap PTFE tape around blanking plug and bleeder valve and screw into top of radiator tighten with a spanner.



Apply PTFE tape to valves and screw into bottom of radiator tighten with a spanner.

INSTALLATION PROCEDURE

5

Rest radiator onto bracket and connect valves to household supply.

Importance: Radiator might be welded with flow block inside for better hot water circulation. Check before mounting it. If the round tube can not be seen through with bare eyes, this side must be mounted at the bottom. Inlet valve & outlet valve shall be mounted at the bottom as well.

