

# M 88

## Dynamic Moving-Coil Microphone

Order # 730.092



### FEATURES

- Flexible use
- Wide, balanced frequency response for natural sound reproduction
- Good bass response
- Well-defined hypercardioid polar pattern
- Hum-bucking coil for eliminating background noise
- Microphone grille made of 3-layer stainless steel mesh
- Handcrafted in Germany

### APPLICATION

The M 88 is a dynamic moving-coil microphone for the highest demands convincing with flexible application options. It can be used for miking vocals or instruments in the studio or on stage. Its directional properties are close to the theoretically possible values reducing the risk of acoustic feedback to an absolute minimum. Due to the balanced frequency response, the most diverse sound sources are exactly reproduced, and a signal is created that can be processed easily and at will.

When miking the kick drum, the WS 59 wind shield should be used.

### TECHNICAL SPECIFICATIONS

Transducer type	Dynamic
Operating principle	Pressure gradient
Polar pattern	Hypercardioid
Frequency response	30 - 20,000 Hz
Rear attenuation at 1 kHz	> 23 dB at 120°
Sensitivity (0 dB = 1 V/Pa)	2.9 mV/Pa (= -51 dBV)
Magnetic field suppression	> 20 dB at 50 Hz
Nominal impedance	200 Ω
Load impedance	≥ 1000 Ω
Diaphragm	Hostaphan®
Casing	Brass
Connection	XLR, 3-pin, male
Dimensions:	
Length	173 mm
Shaft diameter	25.5 mm
Head diameter	48.5 mm
Weight	331 g

### SUPPLIED ACCESSORY

MA-CL 25 Microphone clamp with 3/8" internal thread, with internal diameter of 25 mm. . . . . Order # 727.954

### OPTIONAL ACCESSORY

WS 59 AZ Wind shield, charcoal-grey . . . . . Order # 419.087

**CREATE THE AMAZING**



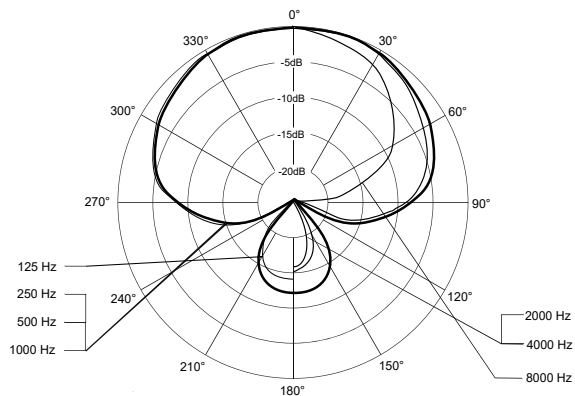
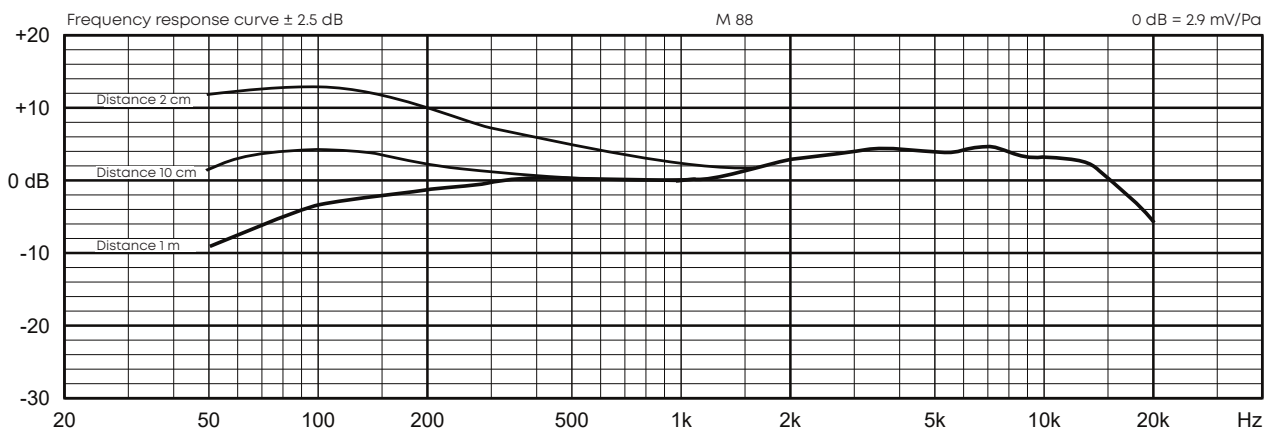
# M 88

## Dynamic Moving-Coil Microphone

Order # 730.092

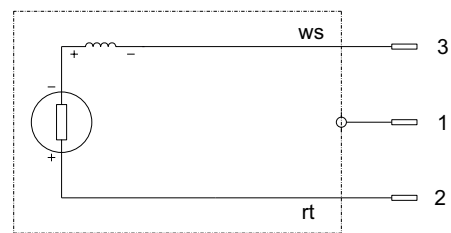
### FREQUENCY RESPONSE & POLAR PATTERN

This polar pattern and frequency response curve correspond to a typical production sample for this microphone.



### WIRING DIAGRAM

Polarity: Positive pressure produces positive voltage on red lead (pin 2).



CREATE THE AMAZING



beyerdynamic

beyerdynamic GmbH & Co. KG  
Theresienstr. 8 · 74072 Heilbronn / Germany  
Tel. +49 (0) 71 31 / 617 - 300 · info@beyerdynamic.de · www.beyerdynamic.com

2/2

For further distributors worldwide, please go to [www.beyerdynamic.com](http://www.beyerdynamic.com)  
Non-contractual illustrations. Contents subject to change without notice. E6/M88 (09.23)