

PowerEdge M420



Technical Guide



Dell PowerEdge M420, a two-socket, quarter-height blade server that delivers unprecedented computational density with 32 individually serviceable nodes.



This document is for informational purposes only. Dell reserves the right to make changes without further notice to any products herein. The content provided is as is and without express or implied warranties of any kind.

Dell, the DELL logo, PowerEdge, EqualLogic, PowerVault, OpenManage and KACE are trademarks of Dell, Inc. Intel, Xeon, and SpeedStep are registered trademarks of Intel Corporation in the U.S. and other countries. Microsoft, Windows, Windows Server, BitLocker, ActiveX, Internet Explorer and Hyper-V are either registered trademarks or trademarks of Microsoft Corporation in the United States and/or other countries. Novell and SUSE are registered trademarks of Novell, Inc. in the United States and other countries. IBM, Tivoli, and Netcool are registered trademarks of IBM in the United States. Other trademarks and trade names may be used in this document to refer to either the entities claiming the marks and names or their products. Dell disclaims proprietary interest in the marks and names of others.

©Copyright 2014 Dell Inc. All rights reserved. Reproduction or translation of any part of this work beyond that permitted by U.S. copyright laws without the written permission of Dell Inc. is unlawful and strictly forbidden.

January 2014 | Version 6.5



Table of contents

1	System overview.....	5
	Introduction.....	5
	New technologies	6
2	System features	7
	Comparison of PowerEdge systems	7
	Specifications	8
3	Module views and features.....	11
	Module views.....	11
	Module features	14
4	Processors	16
	Processor features.....	16
	Supported processors.....	17
	Chipset.....	17
5	Memory.....	18
	Supported memory	18
	Memory configurations	19
	Memory speed	19
	Memory RAS features.....	20
6	Storage	22
	Internal storage	22
	Storage controllers.....	22
7	Networking and mezzanine cards	24
	System management integration	24
	Mezzanine cards	25
8	Power, thermal and acoustics	28
	Power consumption and energy efficiency.....	28
	Power supply units	29
	Thermal and acoustics.....	29
9	Operating systems and virtualization	31
	Supported operating systems.....	31
	Supported virtualization	32
10	Dell OpenManage systems management.....	33
	Systems management solutions.....	33
	OpenManage systems management	34
	Dell server management operations.....	38
	Appendix A. Additional specifications.....	41
	Module dimensions and weight.....	41
	Video specifications	41
	Environmental specifications	42
	USB peripherals.....	43
	Appendix B. Standards compliance	44
	Appendix C. Additional resources.....	46
	Appendix D. System board block diagram	48



Tables

Table 1.	New technologies	6
Table 2.	Comparison of PowerEdge M420, M520 and M620	7
Table 3.	Technical specifications	8
Table 4.	Module features	14
Table 5.	Supported processors	17
Table 6.	Memory technologies supported	18
Table 7.	DIMMs supported	19
Table 8.	Memory speed capabilities	20
Table 9.	Memory RAS features	21
Table 10.	Hard drive backplane option	22
Table 11.	Supported drives	22
Table 12.	RAID controller feature support	23
Table 13.	Supported mezzanine cards	25
Table 14.	Power tools and technologies	28
Table 15.	M420 acoustical performance	30
Table 16.	Primary operating system support	31
Table 17.	Virtual guest operating system support	32
Table 18.	Virtualization support	32
Table 19.	iDRAC7 with Lifecycle Controller functions and benefits	34
Table 20.	Feature comparison for iDRAC7 Enterprise and iDRAC7 Express for Blades	35
Table 21.	One-to-one and one-to-many operations	39
Table 22.	Supported video modes	41
Table 23.	Environmental specifications	42
Table 24.	Industry standards documentation	44
Table 25.	Additional resources	46

Figures

Figure 1.	M420 front view	11
Figure 2.	M420 sleeve containing four blades	12
Figure 3.	M1000e chassis enclosure with 32 M420 blades	13
Figure 4.	M420 internal module view	13
Figure 5.	QR code located on module	14
Figure 6.	M420 connectivity matrix for 32 blades	26
Figure 7.	Fabric interconnectivity examples	27
Figure 8.	Dell systems management solutions	33
Figure 9.	Systems management server lifecycle	39
Figure 10.	Module dimensions	41
Figure 11.	M420 system board block diagram	48



1 System overview

Introduction

Enjoy remarkable computational density with the Dell™ PowerEdge™ M420 capable of deploying 32 server nodes in just 10U of rack space. Scaling up to 20 processor cores and 192GB of RAM, each M420 couples processing power and memory capacity with tremendous I/O throughput, with up to four ports of 10 Gigabit Ethernet (10GbE) available in an exceptionally compact, individually serviceable form factor. From entry and mid-tier business applications, to high node-count virtual environments, and even distributed workloads such as cloud or high-performance computing (HPC) environments, the M420 provides advantages for virtually any data center where a large number of computational nodes need to be deployed in minimal space.

Ensure business continuity

Dell's no-compromise approach toward enterprise-class features on our M-series blade servers is not limited by the M420's ultra-dense form factor. The fully redundant and individually serviceable M420 platform offers such capabilities as hardware RAID and hot-pluggable dual solid-state drives in order to ensure maximum uptime. Dell's unique failsafe virtualization technology even extends the redundancy and resiliency of the M420 to virtual environments, offering a redundant, failover-capable infrastructure for embedded hypervisors.

Simplified systems management, without compromise

The Dell OpenManage™ systems management portfolio includes Integrated Dell Remote Access Controller 7 (iDRAC7) with Lifecycle Controller. This embedded feature helps IT administrators manage Dell servers in physical, virtual, local and remote environments, operating in-band or out-of-band, with or without a systems management software agent installed.

OpenManage iDRAC with Lifecycle Controller integrates and connects to leading third-party systems management solutions (such as those from Microsoft, VMware and BMC Software), so users can maintain a single point of control and capitalize on an existing systems management investment. OpenManage simplifies the lifecycle of deploying, updating, monitoring and maintaining Dell PowerEdge servers.

The PowerEdge M-series blade server line

Implement the right combination of features and performance scalability with the PowerEdge M-series blade servers, which can handle tough workloads in a data center of any size. In addition to the world-class management features provided in all PowerEdge servers, the M420 also takes advantage of the capabilities of the M1000e's Chassis Management Controller (CMC). The CMC allows M-series blades to be managed individually or as groups, in single or multiple chassis and within a data center or in multiple geographically dispersed locations around the globe without requiring an agent or additional hardware. In addition to the existing networking infrastructure, the new Dell Networking MXL 10Gb switch provides next-generation port density and bandwidth for exceptional throughput. PowerEdge M-series blade servers use the redundant power and cooling infrastructure provided by the Dell M1000e blade enclosure, which is exceptionally easy to deploy and manage, and maximizes power and cooling efficiency.



New technologies

A number of new technologies are featured on the PowerEdge M420 system, as shown in Table 1.

Table 1. New technologies

New technology	Detailed description
Intel® Xeon® processor E5-2400 and E5-2400 v2 product families	This new family of Intel processors has embedded PCI Express® (PCIe) lanes for improved I/O performance and additional new features. See the Processors section for details.
Intel C602 series chipset	The Intel Platform Controller Hub (PCH) chip is implemented on the M420.
Next-generation PERC H310	The M420 supports the new Dell PERC H310 controller card with improved functionality and faster performance. See the Storage section for details.
iDRAC7 with Lifecycle Controller	The second generation embedded systems management solution for Dell servers provides agent-free hardware and firmware inventory and alerting, in-depth memory alerting, faster performance, a dedicated gigabit port and many more features.
Advanced power management	The M420 supports advanced power monitoring and power capping tools that can help manage power consumption in the data center.
Failsafe hypervisors	The internal dual SD module enables Dell's unique failsafe virtualization architecture, ensuring uptime by providing failover capability for embedded hypervisors, such as VMware® vSphere® ESXi™ and Microsoft Windows Server 2012 R2 Hyper-V®.
Dell Fresh Air cooling	Dell has tested and validated an integrated data center solution that enables you to operate at higher temperatures or even chiller-less. See the Power, thermal and acoustics section for details.



2 System features

Compared to the previous generation of Dell PowerEdge blade servers, the M420 has similar memory scalability, as well as more processor cores in a much denser form factor than ever before. Features include DDR3 memory, PCIe 3.0, dual internal SD module and Dell's next-generation iDRAC solution known as iDRAC7 Enterprise with Lifecycle Controller.

Comparison of PowerEdge systems

The PowerEdge M420 is a 2-socket, quarter-height blade server that delivers an extraordinary balance of value and performance for mainstream business applications, with no compromise on enterprise-class features.

- Designed for exceptionally dense computational environments where space is at an absolute premium. Best fit for space and/or power conscious, highly available, ultra-dense nodes.
- Housed within the PowerEdge M1000e chassis with up to 32 independent, individually serviceable, M420 blade servers, offering a unique combination of performance, density and efficiency.
- Compared with half-height blades:
 - Double the density
 - Half the infrastructure costs (chassis and switches)
 - Reduced cabling to top-of-rack (ToR) switches
 - All with no enterprise feature trade-offs

Three PowerEdge 12th-generation servers, the M420, M520 and M620 systems, are compared in Table 2. For the latest information on supported features, visit Dell.com/PowerEdge.

Table 2. Comparison of PowerEdge M420, M520 and M620

Feature	PowerEdge M420	PowerEdge M520	PowerEdge M620
Chassis; enclosure	Ultra-dense, quarter-height blade; PowerEdge M1000e Blade Enclosure	General purpose, half-height blade; PowerEdge M1000e Blade Enclosure	General purpose, half-height blade; PowerEdge M1000e Blade Enclosure
Processors	Intel Xeon processor E5-2400 and E5-2400 v2 product families	Intel Xeon processor E5-2400 and E5-2400 v2 product families	Intel Xeon processor E5-2600 and E5-2600v2 product families
Internal interconnect	Intel QuickPath Interconnect	Intel QuickPath Interconnect	Intel QuickPath Interconnect
Memory	6 x DDR3 RDIMMs	12 x DDR3 RDIMMs and UDIMMs	24 x DDR3 RDIMMs, UDIMMs and LRDIMMs
Hard drive bays (hot plug)	2 x 1.8"	2 x 2.5"	2 x 2.5"
Embedded NIC	2 x 10GbE dual-port LOM	2 x 1GbE dual-port LOM	Dual Port Select Network Adapter, 3 options of 2 x 10GbE



Feature	PowerEdge M420	PowerEdge M520	PowerEdge M620
RAID	H310	S110, H310, H710, H710P	S110, H310, H710, H710P
Express Flash drives	Not supported	Not supported	Up to 2
Mezzanine slots	1 PCIe 3.0 x8 mezzanine card slot	2 PCIe 3.0 x8 mezzanine card slots	2 PCIe 3.0 x8 mezzanine card slots
Optional SD port	2 Internal SD slots (2 for redundant hypervisor or 1 for vFlash)	3 Internal SD slots (2 for redundant hypervisor and 1 for vFlash)	3 Internal SD slots (2 for redundant hypervisor and 1 for vFlash)
Dell OpenManage Systems Management	<ul style="list-style-type: none"> • OpenManage Essentials • OMSA Agent • OpenManage Power Center (requires iDRAC7 Enterprise with Lifecycle Controller) • CMC 4.x (available with the M1000e Modular Blade Enclosure) • OpenManage Integrations and Connections • iDRAC7 Express for Blades with Lifecycle Controller (standard option) 	<ul style="list-style-type: none"> • OpenManage Essentials • OMSA Agent • OpenManage Power Center (requires iDRAC7 Enterprise with Lifecycle Controller) • CMC 4.x (available with the M1000e Modular Blade Enclosure) • OpenManage Integrations and Connections • iDRAC7 Express for Blades with Lifecycle Controller (standard option) 	<ul style="list-style-type: none"> • OpenManage Essentials • OMSA Agent • OpenManage Power Center (requires iDRAC7 Enterprise with Lifecycle Controller) • CMC 4.x (available with the M1000e Modular Blade Enclosure) • OpenManage Integrations and Connections • iDRAC7 Express for Blades with Lifecycle Controller (standard option)

Specifications

Table 3 lists the technical specifications for the PowerEdge M420 blade server. For the latest information on supported features, visit Dell.com/PowerEdge.

Table 3. Technical specifications

Feature	Technical specification
Form factor; enclosure	Quarter-height blade; Dell PowerEdge M1000e Blade Enclosure
Processors	Intel Xeon processor E5-2400 and E5-2400 v2 product families
Internal interconnect	Intel QuickPath interconnect (QPI) link: 6.4GT/s, 7.2GT/s, 8.0GT/s
Cache	2.5MB per core; core options: 4, 6, 8, 10
Memory¹	Up to 192GB (6 DIMM slots): 2GB/4GB/8GB/16GB/32GB DDR3 up to 1600MT/s
Chipset	Intel C602
Video	Integrated Matrox [®] G200



Feature	Technical specification
Primary storage	<p>Hot-plug hard drive options: Up to 2 x 1.8" uSATA SSD drives (50GB and 200GB)</p> <p>External storage: For information about Dell external storage options, visit Dell.com/Storage</p>
USB ports	2 front
NIC/LOM	Embedded Broadcom® 57810S-k 2P 10Gb
I/O mezzanine card options	<p>1Gb/10Gb Adapters: Broadcom 5719 quad-port 1Gb Intel I350 quad-port 1Gb Broadcom 57810S-k dual-port 10Gb Intel X520-x/k dual-port 10Gb Qlogic® QME8262-k dual-port 10Gb Brocade® BR1741M-k dual-port 10Gb Mellanox® ConnectX®-3 dual-port 10GbE KR blade</p> <p>InfiniBand™: Mellanox FDR10 CX-3 40Gb</p> <p>Fibre channel: QLogic QME2572 dual-port 8Gb Emulex® LPe1205-M dual-port 8Gb QLogic QME2662 dual-port 16Gb Emulex LPm16002B-D dual-port 16Gb</p>
I/O slots	1 PCIe 3.0 x8 fully populated mezzanine card slot and switch modules yields 2 redundant I/O fabrics per blade
RAID controller	<p>Internal controller: PERC H310 embedded</p>
Power supplies and fans	Supplied by M1000e blade enclosure
Dell OpenManage Systems Management (Agent-free or with OpenManage Server Administrator [OMSA] Agent)	<ul style="list-style-type: none"> • OpenManage Essentials • OMSA Agent • OpenManage Power Center (requires iDRAC7 Enterprise with Lifecycle Controller) • CMC 4.x (available with the M1000e Modular Blade Enclosure) • OpenManage Integrations and Connections: <ul style="list-style-type: none"> – OpenManage Integration Suite for Microsoft® System Center – OpenManage Integration for VMware vCenter™ – Connections for HP® Operations Manager, IBM® Tivoli® Netcool® and CA Network and Systems Management • iDRAC7 Express for Blades with Lifecycle Controller (standard option) <ul style="list-style-type: none"> – Upgrade to iDRAC7 Enterprise with Lifecycle Controller – Upgrade to 8GB vFlash media or 16GB vFlash media for iDRAC7 Enterprise with Lifecycle Controller – Trial evaluation available for iDRAC7 Enterprise with Lifecycle Controller



Feature	Technical specification
Operating systems	Microsoft Windows Server® 2012 Microsoft Windows Server 2012 R2 (includes Hyper-V) Microsoft Windows Server 2008 R2 SP1, x64 (includes Hyper-V) Novell® SUSE® Linux® Enterprise Server Red Hat® Enterprise Linux Virtualization options: Citrix® XenServer® Red Hat Enterprise Virtualization® VMware vSphere ESXi For more information on the specific versions and additions, visit Dell.com/OSsupport .
Embedded hypervisor	Two internal SD cards dedicated for hypervisor Or one SD card dedicated for vFlash media support
For more information about the Dell blade solution, see the PowerEdge M1000e Technical Guide or the PowerEdge M1000e Blade Chassis Spec Sheet .	

¹GB means 1 billion bytes and TB equals 1 trillion bytes; actual capacity varies with preloaded material and operating environment and will be less



3 Module views and features

The Dell PowerEdge M420 implements a new module design, with a quarter-height blade server that requires an M1000e chassis to operate. It occupies one slot vertically in the M1000e rack chassis, which is populated with a sleeve and contains four blades. The M1000e chassis can contain a maximum of 32 blades with eight sleeves. It can be mixed with other existing Dell blades of half-height or full-height form factors and designed to mix with possible future half-height/double-wide and full height/double-wide blades.

The following sections provide external and internal views of the system and describe the module features. For more detailed information on features and descriptions for the M420, see the *Dell PowerEdge M420 Systems Owner's Manual* on Dell.com/Support/Manuals.

Module views

As shown in Figure 1, the M420 module supports up to two unique front-accessible, hot-plug solid state drives (SSD) and two USB ports.

Figure 1. M420 front view



The M420 is optimized for a densely populated chassis with effective and efficient cooling. Figure 2 shows one of eight sleeves containing four stackable blades in a fully loaded M1000e enclosure.

Figure 2. M420 sleeve containing four blades



The chassis design of the M420 is optimized for easy access to components and for airflow for effective and efficient cooling. Figure 3 shows the fully loaded M1000e chassis enclosure comprised of eight sleeves, each with four stackable blades, for a total of 32 M420 modules.

Figure 3. M1000e chassis enclosure with 32 M420 blades



The M420 module shown in Figure 4 supports up to six DIMMS, two processors and many other features that are described in this guide.

Figure 4. M420 internal module view



For additional system views, see the *Dell M420 Systems Owner's Manual* on Dell.com/Support/Manuals.



Module features

Table 4 lists the modules features for the M420 system. For additional information on these features, see the *Dell PowerEdge M420 Systems Owner's Manual* on Dell.com/Support/Manuals.

Table 4. Module features

Feature	Description
USB connectors	2 front-accessible USB connectors
Status indicator	Indicator for M420 power status
Drives	2 front-accessible, hot-plug, 1.8-inch SSD; see the Storage section for details
Drive activity LEDs	Indicate the status and activity of the SSD
Blade handle release button	Release button on the front handle of the blade server
Trusted Platform Module (TPM)	TPM is used to generate/store keys, protect/authenticate passwords and create/store digital certificates; it also supports the Intel Xeon TXT functionality.
Quick Resource Locator (QRL)	This code on the module can be scanned by a smartphone application to access information about the server.

LCD control panel

The M1000e chassis enclosure LCD control panel is located on the front of the M1000e chassis to provide user access to buttons, display and I/O interfaces. For more information on the M1000e LCD control panel, see the *Dell PowerEdge M1000e Enclosure Owner's Manual* on Dell.com/Support/Manuals.

Quick Resource Locator

Dell PowerEdge 12th-generation servers offer a Quick Resource Locator (QRL) — a model-specific Quick Response (QR) code (shown in Figure 5) that is located on the server. Use your smartphone to access the Dell QRL application to learn more about the server.

Figure 5. QRL code located on module



This QRL code allows you to:

- View step-by-step videos, including overviews of system internals and externals, as well as detailed, concise, task-oriented videos and installation wizards
- Locate reference materials, including searchable owner's manual content, LCD diagnostics and an electrical overview
- Look up your service tag so you can quickly gain access to your specific hardware configuration info and warranty information
- Contact Dell directly (by link) to get in touch with technical support and sales teams and provide feedback to Dell

These codes provide an easy way to retrieve the critical support information you need when you need it, making you more efficient and effective in managing your hardware.

M1000e chassis enclosure features

For more information on the M1000e chassis enclosure features, see the *Dell PowerEdge M1000e Enclosure Owner's Manual* on Dell.com/Support/Manuals.



4 Processors

The Dell PowerEdge M420 system features the Intel Xeon processor E5-2400 and E5-2400 v2 product families, which offer an ideal combination of performance, power efficiency and cost. Featuring 10-core processing to maximize performance and performance per watt for datacenter infrastructures and highly dense deployments, E5-2400 v2 processors provide high performance no matter what your constraint is — floor space, power or budget — and on workloads that range from the most complicated scientific exploration to crucial web-serving and infrastructure applications.

Processor features

The Intel Xeon processor E5-2400 v2 product family is designed specifically for servers and workstation applications. A summary of what's new and improved includes:

- Up to 10 cores per processor and 64-byte cache line size
- Intel Integrated I/O support for up to 16 lanes of PCIe 3.0, which can reduce latency
- Faster connections provided throughout the system with support for DDR3 1600MT/s memory and 8.0GT/s QPI
- Intel Data Direct I/O (DDIO) allowing I/O traffic to skip the main system memory and be directed straight to the processor cache, which can provide a significant reduction in latency as well as allowing memory to remain in a low-power state
- Intel Advanced Vector Extensions offering up to double the floating-point operations per clock cycle by doubling the length of registers, which can be useful for addressing very complex problems or dealing with large-number calculations that are integral to many technical, financial and scientific computing problems
- Intel Turbo Boost Technology 2.0 delivering up to double the boost of the previous-generation turbo technology
- Continued improvements to both Intel TXT and AES-NI helping to better protect systems and data
- Enhanced Intel SpeedStep® Technology

For more information on the Intel Xeon processor E5-2400 and E5-2400 v2 product families, visit Intel.com.



Supported processors

The M420 supports up to two processors with up to 10 cores per processor. Table 5 lists the Intel Xeon processors supported by the PowerEdge M420. For the latest information on supported processors, visit Dell.com/PowerEdge.

Table 5. Supported processors

Model	Speed	Cache	QPI	Cores	Turbo	TDP
E5-2470 v2	2.4GHz	25M	8.0GT/s	10	Yes	95W
E5-2470	2.3GHz	20M	8.0GT/s	8	Yes	95W
E5-2450L v2	1.7GHz	25M	8.0GT/s	10	Yes	60W
E5-2450L	1.8GHz	20M	8.0GT/s	8	Yes	70W
E5-2450 v2	2.5GHz	20M	8.0GT/s	8	Yes	95W
E5-2450	2.1GHz	20M	8.0GT/s	8	Yes	95W
E5-2440 v2	1.9GHz	20M	7.2GT/s	8	Yes	95W
E5-2440	2.4GHz	15M	7.2GT/s	6	Yes	95W
E5-2430L v2	2.4GHz	15M	7.2GT/s	6	Yes	60W
E5-2430L	2.0GHz	15M	7.2GT/s	6	Yes	60W
E5-2430 v2	2.5GHz	15M	7.2GT/s	6	Yes	80W
E5-2430	2.2GHz	15M	7.2GT/s	6	Yes	95W
E5-2420 v2	2.2GHz	15M	7.2GT/s	6	Yes	80W
E5-2420	1.9GHz	15M	7.2GT/s	6	Yes	95W
E5-2407 v2	2.4GHz	10M	6.4GT/s	4	No	80W
E5-2407	2.2GHz	10M	6.4GT/s	4	No	80W
E5-2403 v2	1.8GHz	10M	6.4GT/s	4	No	80W
E5-2403	1.8GHz	10M	6.4GT/s	4	No	80W

For information on processor installation and configuration, see the *Dell PowerEdge M420 Systems Owner's Manual* on Dell.com/Support/Manuals.

Chipset

The Intel C602 chipset is implemented on the PowerEdge M420. For more information, visit Intel.com.



5 Memory

More memory options are available than ever before with the Dell PowerEdge M420 — greater capacities, higher frequencies and more flexibility. The M420 supports up to 192GB of memory using up to six DIMMs in a dual-processor configuration, and speeds up to 1600MT/s, providing high performance in a variety of applications. High memory density means there is no compromise when it comes to virtualization.

Increase your uptime and reduce data loss due to Dell's focus on reliability, availability and serviceability (RAS) features. RAS aids in the rapid and accurate diagnosis of faults that require service, increasing your memory reliability. System uptime is reinforced with RAS features like memory mirroring, sparing and many others.

The M420 supports unbuffered DIMM (UDIMM) and registered DIMM (RDIMM) technology.

Supported memory

Table 6 lists the memory technologies supported by the M420.

Table 6. Memory technologies supported

Feature	UDIMM	RDIMM
Register	No	Yes
Buffer	No	No
Frequencies*	1600MT/s	1333 or 1600MT/s
Ranks supported	2	1, 2 or 4
Capacity per DIMM	4GB	2, 4, 8, 16 or 32GB
Maximum DIMMs per channel	1	1
DRAM technology	x8	x4 or x8
Temperature sensor	Yes	Yes
Error Correction Code (ECC)	Yes	Yes
Single Device Disable Code (SDDC)	Yes (with advanced ECC mode)	Yes
Address parity	Yes	Yes

*Although the M420 supports DIMM speeds lower than 1333MT/s, you can purchase this system with DIMM speeds of 1333MT/s and 1600MT/s only on Dell.com/PowerEdge.



The M420 server supports the DIMMs listed in Table 7. For the latest information on supported memory, visit Dell.com/PowerEdge.

Table 7. DIMMs supported

Capacity (GB)	Speed (MT/s)	Type	Ranks per DIMM	Data width	SDDC support	Voltage
2	1600	RDIMM	1	x8	Advanced ECC	1.35
2	1600	UDIMM	1	x8	Advanced ECC	1.35
4	1600	RDIMM	2	x8	Advanced ECC	1.35
4	1600	RDIMM	1	x4	All modes	1.35
4	1600	UDIMM	2	x8	Advanced ECC	1.35
4	1600	UDIMM	1	x8	Advanced ECC	1.35
8	1600	RDIMM	1	x4	All modes	1.35
8	1600	RDIMM	2	x4	All modes	1.35
16	1600	RDIMM	2	x4	All modes	1.35
16	1333	RDIMM	2	x4	All modes	1.35
32	1333	RDIMM	4	x4	All modes	1.35

Memory configurations

The M420 server supports flexible memory configurations ranging from capacities of 2GB to 192GB, and up to 3 DIMMs per processor (up to 6 DIMMs in a dual-processor configuration). Each processor has three memory channels, with each channel supporting a single DIMM.

Flexible memory configuration

The M420 supports a flexible memory configuration, according to the following basic rules:

- Speed: If DIMMs of different speeds are mixed, all channels across all processors operate at the slowest DIMM's common frequency.

The following additional memory-population guidelines also apply to the M420:

- A single quad-rank (QR) DIMM, dual-rank (DR), or single-rank (SR) DIMM may be populated on each channel.
- DIMMs should be installed with largest rank count to smallest. For example, if DR DIMMS are mixed with SR DIMMS, DR DIMMS should be placed in the lowest DIMM slots, followed by the SR DIMMS.

For more information on memory configuration and population, see the *Dell PowerEdge M420 Systems Owner's Manual* on Dell.com/Support/Manuals.

Memory speed

The M420 supports memory speeds of up to 1600MT/s, depending on the DIMM types installed and the configuration. All memory on all processors and channels run at the same speed and voltage. By default, the system runs at the highest speed for the channel with the lowest DIMM voltage and speed. The operating speed of the memory is also determined by the maximum speed supported by



the processor, the speed settings in the BIOS and the operating voltage of the system. The loading within a channel significantly affects memory speed.

Table 8 lists the memory configuration and performance details for the M420, based on the population of the number and type of DIMMs per memory channel.

- Green boxes are defaults for performance per watt.
- White boxes (with lower voltage) can save power but will run at slower speeds.
- White boxes (with higher voltage) can be custom configured in the BIOS.

Table 8. Memory speed capabilities

DIMM type	DIMM rank	DIMM-rated voltage and speed	Intel Xeon processor E5-2400 and E5-2400 v2 product families DIMMs per channel (DPC)			
			1 DPC		2 DPC	
			1.35V	1.5V	1.35V	1.5V
RDIMM	1R/2R	DDR3L (1.5V) 1600MT/s	1600	1600		
RDIMM	1R/2R	DDR3L (1.35V/1.5V) 1333MT/s	1333	1333		
UDIMM	1R/2R	DDR3L (1.35V/1.5V) 1600MT/s	1600	1600		
RDIMM	4R	DDR3L (1.35V/1.5V) 1333MT/s	1333	1333		
LRDIMM	4R	DDR3L (1.35V/1.5V) 1333MT/s				

Memory RAS features

RAS features help keep the system online and operational without significant impact to performance, and can decrease data loss and crashing due to errors. RAS aids in rapid, accurate diagnosis of faults which require service. Table 9 describes the memory RAS features supported on the M420.



Table 9. Memory RAS features

Feature	Description
Dense configuration optimized profile	Increased memory reliability can be a result from this selectable platform profile that adjusts parameters to reduce faults regarding refresh rates, speed, temperature and voltage.
Memory demand and patrol scrubbing	Demand scrubbing is the ability to write corrected data back to the memory once a correctable error is detected on a read transaction. Patrol scrubbing proactively searches the system memory, repairing correctable errors.
Recovery from single DRAM device failure (SDDC)	Recovery from Single DRAM Device Failure (SDDC) provides error checking and correction that protects against any single memory chip failure as well as multi-bit errors from any portion of a single memory chip.
Failed DIMM isolation	This feature provides the ability to identify a specific failing DIMM channel pair, thereby enabling the user to replace only the failed DIMM pair.
Memory mirroring: intra-socket	Memory mirroring is a method of keeping a duplicate (secondary or mirrored) copy of the contents of memory as a redundant backup for use if the primary memory fails. The mirrored copy of the memory is stored in memory of the same processor socket.
Memory address parity protection	This feature provides the ability to detect transient errors on the address lines of the DDR channel.
Memory sparing (rank)	Memory sparing allocates one rank per channel as a spare. If excessive correctable errors occur in a rank or channel, they are moved to the spare area while the operating system is running to prevent the errors from causing an uncorrectable failure.
Memory thermal throttling	This feature helps to optimize power and performance, and it can also be used to prevent DIMMs from overheating.

For information on memory mirroring and sparing configurations, see the *Dell PowerEdge M420 Systems Owner's Manual* on [Dell.com/Support/Manuals](https://www.dell.com/support/manuals). Memory RAID is not supported.



6 Storage

The Dell PowerEdge M420 provides comprehensive internal storage options, including an SSD and an H310 embedded storage controller. The M420 currently supports up to 400GB of internal storage. SSDs can provide vastly accelerated performance over previous technologies.

Internal storage

The M420 is available with a single-drive backplane option. Table 10 lists the backplane, storage controller and drive type for the M420.

Table 10. Hard drive backplane option

Backplane	Controller	Drive types
uSATA	PERC H310	SATA SSD

Supported drives

Table 11 lists the supported uniquely designed 1.8-inch universal SATA (uSATA), hot-plug SSD carrier for the M420. For the latest information on supported drives, visit Dell.com/Storage.

Table 11. Supported drives

Form factor	Type	Capacities
1.8"	uSATA SSD (3Gb)	50GB, 200GB

Storage controllers

Dell provides highly capable RAID options for you to ensure that your data remains safe. Dell's RAID controller options offer impressive performance improvements. The internal RAID controllers have a dedicated connection to the system board.

Supported RAID controller

The newest line of PowerEdge RAID Controllers (PERCs) offers high I/O performance for a variety of uses, including database applications and streaming digital media environments.

PERC H310

The PERC H310 is an eight-port, internal, 6Gbps PCIe RAID controller (mini form factor) that is a low-cost, entry-level RAID solution. For more information about the latest PERC offerings, see Dell.com/PERC.



RAID controller feature support

Table 12 lists the features supported by the RAID controller on the M420.

Table 12. RAID controller feature support

Feature	PERC option
	H310
iMR firmware stack	✓
SSD support	✓
uSATA backplane	✓
SAS hard drives	✓
Unconfigured drive support (non-RAID)	✓
RAID 0	✓
RAID 1	✓
Microsoft Windows support	✓
Linux support	✓
Virtualization support	✓
Embedded on system board	✓
PCIe 3.0	✓
Local support for self-encrypting drive (SED)	✓
UEFI browser	✓
Hll	✓



7 Networking and mezzanine cards

The Dell PowerEdge M420 offers balanced, scalable I/O capabilities, including one integrated PCIe 3.0 capable mezzanine card slot.

System management integration

With the PowerEdge M420, the process of deploying, updating and monitoring is fast and easy. System management integration features include:

- Pre-boot: Use the Dell Lifecycle Controller graphical user interface (GUI) to set configuration such as bandwidth allocation or firmware revision level.
- Post-boot: Agent-free out-of-band or high-speed in-band connection over LOM through the Operating System/BMC pass-through feature for sensory information.
- Automation of firmware and driver version deployment upon component replacement.
- Automatic monitoring of NIC status and notification on SNMP traps.
- Local or remote re-configuration of any NIC, physical, or virtual.
- PXE boot enabled on LOM for ease-of-use.
- Boot from SAN (iSCSI, FCoE) configuration for networking devices through the Lifecycle Controller GUI.

Expansion connectors

The M420 PCIe expansion connectors provide the following support:

- Mezzanine cards: A custom mezzanine connector that connects to an x8 PCIe 3.0 port.
 - The mezzanine card slot supports Fabric B or Fabric C, depending on the slot in the sleeve where the blade is installed. This card must match the fabric type of the I/O modules installed in the corresponding I/O module bays. Figure 6 illustrates the interconnectivity matrix and Figure 7 illustrates interconnectivity examples for Fabric A and Fabrics B and C.
- LOM: A custom network controller connector that connects to an x8 PCIe 3.0 slot.
 - LOM controller through a dedicated one x8 PCIe 2.0 or 3.0 compatible interface
 - Supports the embedded Broadcom 57810S-k 2P 10Gb
 - iDRAC7 shared LOM is not supported, the blade iDRAC has a dedicated 100Mbps link
- Embedded PERC: A custom PERC + RIPS connector connects to a x4 PCIe slot.



Mezzanine cards

The M420 provides one PCIe 3.0 mezzanine connector for add-in cards. The M420 is designed to be PCIe 3.0-compliant to take full advantage of the processor capabilities. Installation of a mezzanine card requires an M1000e I/O Module (IOM) of the same fabric technology to be installed in the corresponding fabric slot of the mezzanine card to support data flow through the fabric/slot. Table 13 lists the supported mezzanine cards for the M420.

Table 13. Supported mezzanine cards

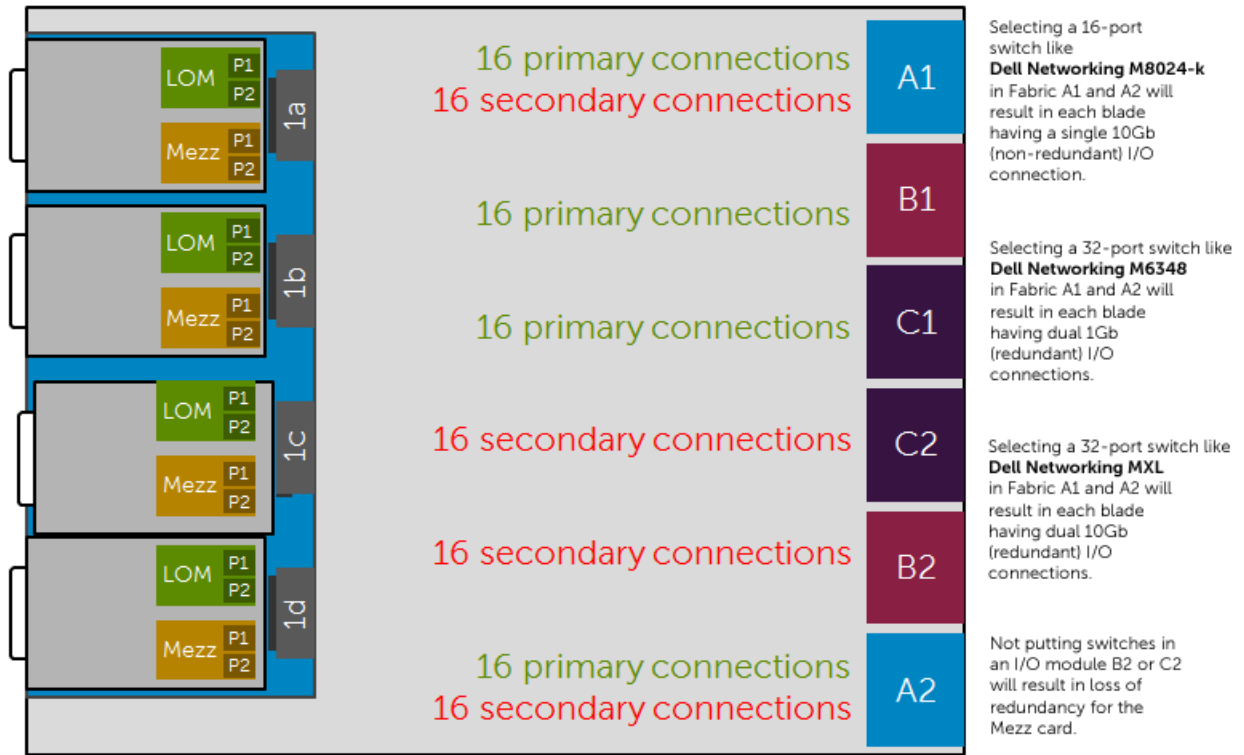
Type	Adapter
1Gb/10GB Adapters	Broadcom 5719 Serdes 4P 1Gb
	Intel I350 Serdes 4P 1Gb
	Broadcom 57810S-k 2P 10Gb
	Intel X520-x/k 2P 10Gb
	Qlogic QME8262-k 2P 10Gb
	Brocade BR1741M-k 2P 10Gb
	Mellanox ConnectX-3 dual-port 10GbE KR blade
InfiniBand	Mellanox FDR10 CX-3 40Gb
Fibre channel	QLogic QME2572 2P 8Gb
	Emulex LPe1205-M 2P 8Gb
	QLogic QME2662 2P 16Gb
	Emulex LPm16002B-D 2P 16Gb

For the latest information on supported mezzanine cards for the M420, visit [Dell.com/PowerEdge](https://www.dell.com/poweredge). Interconnectivity matrix

The full height, single-wide M420 sleeve holds up to four M420 blades in four slots: a, b, c and d. A maximum of eight sleeves fit into a single M1000e chassis. Understanding how the blades connect demonstrates the impact of switch choice on the number of available ports, as shown in Figure 6. Blades connect to Fabrics B and C differently depending on the slot within the M420 sleeve.



Figure 6. M420 connectivity matrix for 32 blades



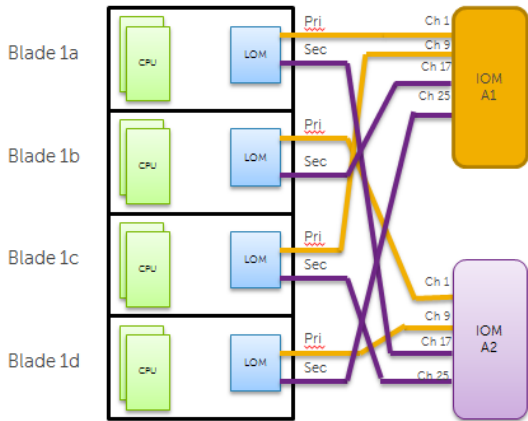
Blades in slot A		Blades in slot B		Blades in slot C		Blades in slot D	
Port	Connects to fabric	Port	Connects to fabric	Port	Connects to fabric	Port	Connects to fabric
LOM Primary	A1	LOM Primary	A2	LOM Primary	A1	LOM Primary	A2
LOM Secondary	A2	LOM Secondary	A1	LOM Secondary	A2	LOM Secondary	A1
Mezz Primary	C1	Mezz Primary	B1	Mezz Primary	C1	Mezz Primary	B1
Mezz Secondary	C2	Mezz Secondary	B2	Mezz Secondary	C2	Mezz Secondary	B2

Examples of fabric interconnectivity and their associated parameters are illustrated in Figure 7.

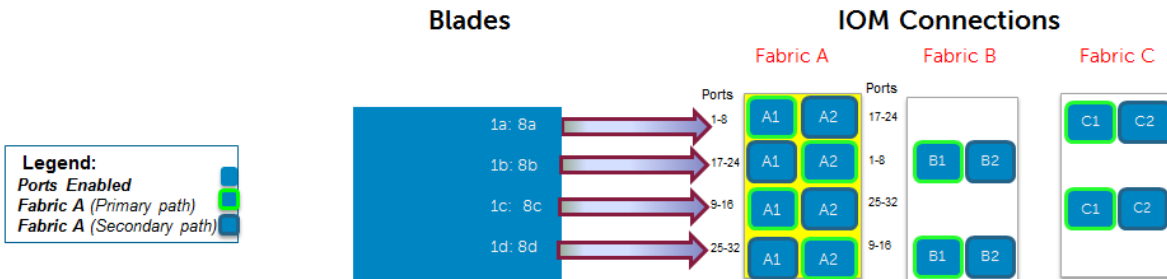


Figure 7. Fabric interconnectivity examples

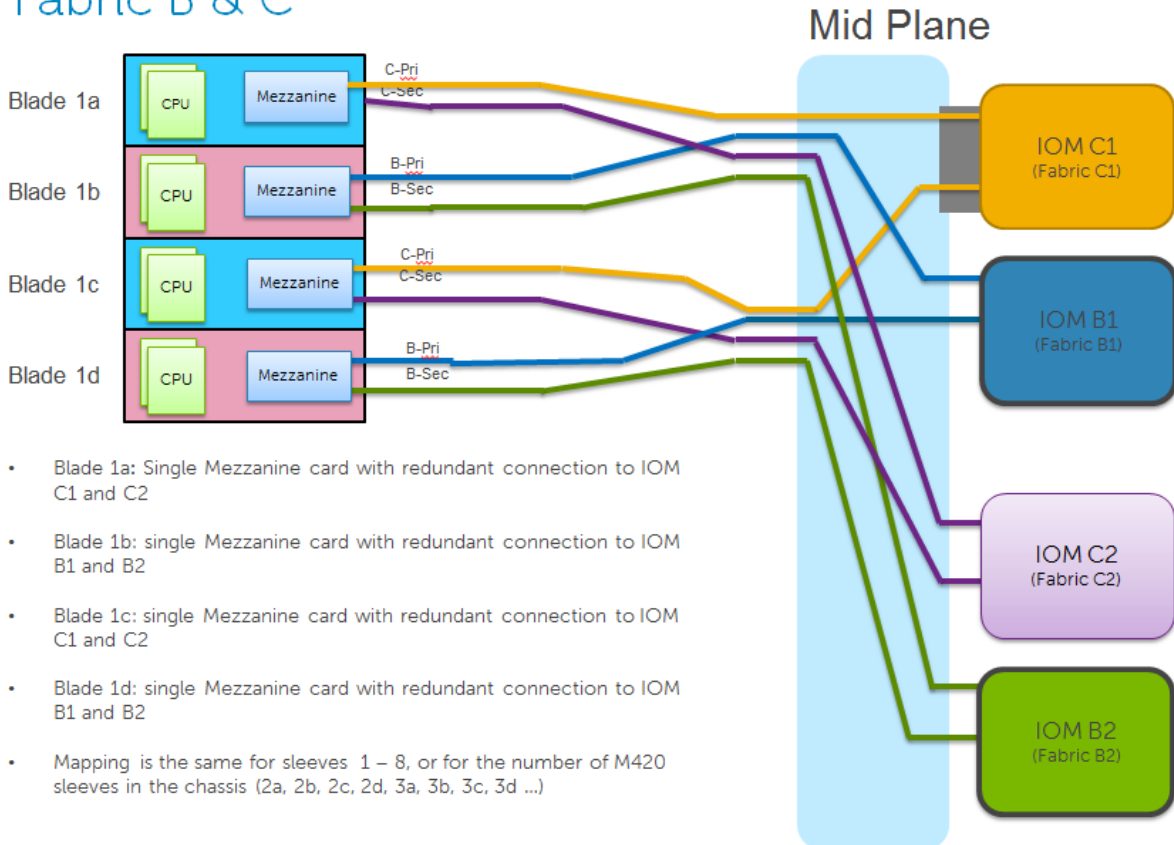
Fabric A



- Fabric A is the 10GbE Broadcom (BCM 57810s) LOM
- Fabric A choice examples:
 - 2 x M8024-k in IOM A1 and A2.
 - Each M420 blade will have a 10Gb connection to either IOMA1 or IOM A2, but not both (non-redundant).
 - 2 x M6348 in IOM A1 and A2.
 - Each M420 blade will have a 1Gb connection to both A1 and A2 (redundant).
 - 2 x Dell Networking MXL in IOM A1 and A2 (when it ships).
 - Each M420 blade will have a 10Gb connection to both A1 and A2 (redundant).



Fabric B & C



8 Power, thermal and acoustics

Lower overall system-level power draw is a result of Dell's breakthrough system design. The PowerEdge M420 blade server and M1000e chassis enclosure maximize performance per watt through a combination of power and cooling, energy-efficient technologies and tools. Additionally, the M420 has an extensive collection of sensors that automatically track thermal activity, which helps regulate temperature thereby reducing server noise and power consumption.

Power consumption and energy efficiency

With the rise in the cost of energy coupled with increasing data center density, Dell provides tools and technologies to help you realize greater performance with less energy cost and waste. More efficient data center usage can reduce costs by slowing the need for additional data center space. Table 14 lists the tools and technologies Dell offers to help you achieve your data center goals by lowering power consumption and increasing energy efficiency.

Table 14. Power tools and technologies

Feature	Description
Power supply units (PSU) portfolio	Dell's PSU portfolio includes intelligent features such as dynamically optimizing efficiency while maintaining availability and redundancy.
Tools for right-sizing	Energy Smart Solution Advisor (ESSA) is a tool that helps you determine the most efficient configuration possible. With Dell's ESSA, you can calculate the power consumption of your hardware, power infrastructure and storage. ESSA can help you determine exactly how much power your server will use at a given workload, and the PSU Advisor can help you choose the best, most efficient PSU for your workload. Learn more at Dell.com/ESSA .
Industry compliance	Dell's servers are compliant with all relevant industry certifications and guidelines, including 80 PLUS, Climate Savers and ENERGY STAR®.
Power monitoring accuracy	Dell's power monitoring accuracy is currently 1%, whereas the industry standard is 5%. PSU power monitoring improvements include: <ul style="list-style-type: none">• More accurate reporting of power• Better performance under a power cap
Power capping	Use Dell's systems management to set the power cap limit for your systems to limit the output of a PSU and reduce system power consumption. Dell is the first hardware vendor to leverage Intel Node Manager for circuit-breaker fast capping.
Systems management	iDRAC7 Enterprise provides server-level management that monitors, reports and controls power consumption at the processor, memory and system level. Dell OpenManage Power Center delivers group power management at the rack, row and data center level for servers, power distribution units and uninterruptible power supplies.



Feature	Description
Active power management	<p>Intel Node Manager is an embedded technology that provides individual server-level power reporting and power limiting functionality. Dell offers a complete power management solution comprised of Intel Node Manager accessed through Dell iDRAC7 Enterprise and OpenManage Power Center that allows policy-based management of power and thermals at the individual server, rack and data center level.</p> <p>Hot spare reduces power consumption of redundant power supplies.</p> <p>Thermal control of fan speed optimizes the thermal settings for your environment to reduce fan consumption and lower system power consumption.</p> <p>Idle power enables Dell servers to run as efficiently when idle as when at full workload.</p>
Dell Fresh Air cooling	<p>With the thermal design and reliability of Dell products, certain configurations have the capability to operate at excursion-based temperatures beyond the industry standard of 35°C (95°F) up to 45°C (113°F) for excursionary periods of time and up to a 26°C dew point at 90% relative humidity without impacting your availability model. Find additional information at Dell.com/FreshAir.</p>
Rack infrastructure	<p>Dell offers some of the industry's highest-efficiency power infrastructure solutions, including:</p> <ul style="list-style-type: none"> • Power distribution units • Uninterruptible power supplies • Energy Smart containment rack enclosures <p>Find additional information at Dell.com/RackInfrastructure.</p>

Find additional information at Dell.com/PowerAndCooling and Dell.com/PowerCenter.

Power supply units

The M1000e chassis enclosure provides power and cooling for the M420 blade server. For information on the M1000e power supply units, see the *PowerEdge M1000e Technical Guide* on Dell.com/PowerEdge.

Thermal and acoustics

High density and high performance of the PowerEdge M420 requires an aggressive thermal management solution to address the high heat density in the small form factor blades. Optimized thermal management keeps fan speeds in the PowerEdge M420 as low as possible, contributing to quiet operation and ensuring proper component cooling.

Thermal design

The thermal design of the PowerEdge M420 reflects the following:

- **Comprehensive thermal management:** The PowerEdge M420 dynamically controls system cooling fan speed, based on responses from critical sensors that monitor the temperature of several components, including:
 - Processors
 - DIMMs
 - System inlet ambient
 - Mezzanine card



Thermal control also detects and responds to hardware configuration. Thermal management adjusts cooling according to what the system really needs, and draws lower fan power draw and generates lower acoustical noise levels than those without such controls.

- **Environmental specifications:** The optimized thermal management makes the PowerEdge M420 reliable under a wide range of operating environments as shown in Table 23. When operating above 30°C ambient, performance impacts may be seen. For more information see the *Dell PowerEdge M420 Systems Owner's Manual* on Dell.com/Support/Manuals.

Acoustical performance

The acoustical performance of the PowerEdge M420 is reflected in Table 15.

Four sleeves, each containing four typically¹ configured M420 blades, were installed in the M1000e host chassis; all blades had the same configuration and same airflow impedance. Remaining blade slots were filled with blanks of same impedance as blades. Acoustical measurements were made in 23 ± 2 °C ambient.

The M420 is built for high density and high performance. The great power density of the M420 means that small increases in utilization require large increases in fan speed, hence large increases in loudness. This means that loudness with an M420 increases significantly with utilization; in fact, more so than other Dell blade products.

Table 15. M420 acoustical performance

Configuration (23 ± 2°C ambient)	CPUs	Drives	DIMMs	PCI cards	Operating mode	L _{WA-UL} ² (bels)	L _{pA} ³ (dBA)
Typical ¹	2 x 95W	1 x uSATA SSD	6	1 mezzanine card	Operating ⁴	8.9	71
					Idle ⁵	7.9	63

¹Typical configuration means 2x 95W CPUs, x 2GB DIMMs, 1x Mezzanine card and 1x uSATA SSD.

² L_{WA-UL} is the upper limit sound power levels (L_{WA}) calculated per section 4.4.1 of ISO 9296 (1988) and measured in accordance to ISO 7779 (2010).

³ L_{pA} is the average A-weighted sound pressure level from the four bystander positions calculated per section 4.3 of ISO 9296 (1988) and measured in accordance with ISO 7779 (2010). The system is placed in a half rack enclosure (base of system is 25 cm above reflective floor).

⁴Operating is a mode per ISO 7779 (2010) definition 3.1.6. Blade stressing applications vary widely thus also do respective operating acoustical values; the values are given above as a likely range, for example, "likely greater than or equal to," (≥). SPECpower™ at 50 percent utilization is the benchmark used for the lower bound here.

⁵Idle: Reference ISO 7779 (2010) definition 3.1.7; system is running in its operating system but no other specific activity;



9 Operating systems and virtualization

The Dell PowerEdge M420 supports a wide range of industry-standard operating systems and virtualization software.

Supported operating systems

Table 16 lists the operating systems supported on the M420. For the latest information on supported operating systems, see Dell.com/OSsupport.

Table 16. Primary operating system support

Operating System	Platform	Edition
Red Hat Enterprise Linux 6.4¹	x64	N/A
Red Hat Enterprise Linux for HPC Compute Node	x64	N/A
SUSE Linux Enterprise Server 11 SP3	x64	N/A
SUSE Linux Enterprise Server 10 SP4	x64	N/A
Microsoft Windows Server 2012	x64	Standard Data center
Microsoft Windows Server 2012 R2	x64 (with Microsoft Hyper-V role enabled)	Standard Data center
Microsoft Windows Server 2008 with SP2	x86	Standard Enterprise
Microsoft Windows Server 2008 with SP2	x64 (with Microsoft Hyper-V role enabled)	Standard Enterprise Data center
Microsoft Windows Server 2008 R2 with SP1	x64 (with Microsoft Hyper-V role enabled)	Standard Enterprise Data center HPC

¹RHEL 6.3 is the minimum supported version. Current factory install is RHEL 6.1.

Support of the operating systems listed in Table 17 is limited to a virtual environment as a guest operating system. Please contact the software vendor for additional support or questions about running the operating system in a virtualized environment.



Table 17. Virtual guest operating system support

Operating System	Platform	Edition
Microsoft Windows 2003 R2 with SP2	x86	Standard Enterprise
	x64	Standard Enterprise Data center web

Supported virtualization

One of the key features for virtualization on the M420 is the support for a fail-safe hypervisor. By running the hypervisor on an optional SD card and installing a backup copy on the other mirrored SD card, you can protect against hardware failure and maximize virtualization uptime. Table 18 highlights the virtualization support for the M420.

Table 18. Virtualization support

Operating systems	Install version	Factory options	Internal dual SD module install support	
VMware	vSphere v5.1	ESXi 5.5	DIB	Yes
	vSphere v5.1 U1	ESXi 5.5	FI/DIB	Yes
	vSphere v5.1	ESXi 5.5	FI/DIB	Yes
Citrix	XenServer v6.1	N/A	DIB	No
Red Hat ¹	Enterprise Virtualization v3.2	N/A	DIB	No

FI = factory install; DIB = drop-in-box

¹No OpenManage support; drop-in-box license registration card only



10 Dell OpenManage systems management

Whether your IT environment consists of a few servers or a few thousand servers, Dell OpenManage systems management solutions provide comprehensive management for evolving IT environments. OpenManage is based on open standards and provides agent-based and agent-free server lifecycle management functionality for Dell PowerEdge servers. OpenManage solutions help you automate and streamline essential hardware management tasks.

The advanced management capabilities of Dell OpenManage also integrate into offerings from other popular systems management solutions that you may already use, making Dell platforms easy to manage and deploy in any IT environment. This ensures your IT services are available when your business needs them. If you have already standardized on offerings from industry leaders, such as BMC Software, Microsoft, Symantec™, VMware, or other vendors, you can leverage OpenManage integration and connections developed to use with your existing systems management framework to efficiently manage Dell servers, storage, business-client PCs and network devices.

Start with a firm foundation for efficient hardware management using OpenManage tools, utilities and management consoles. OpenManage systems management solutions consist of a combination of embedded management features and software products that help you automate and simplify the entire server lifecycle: deploy, update, monitor and maintain. OpenManage solutions are innovatively designed for simplicity and ease of use to help you reduce complexity, save time, achieve efficiency, control costs and empower productivity.

Systems management solutions

Dell systems management solutions include a wide variety of tools, products and services that enable you to leverage an existing systems management framework. As shown in Figure 8, Dell systems management solutions are centered on OpenManage server management, featuring iDRAC with Lifecycle Controller.

Figure 8. Dell systems management solutions



OpenManage systems management

The Dell OpenManage systems management portfolio includes powerful hardware and software management tools and consoles. OpenManage simplifies the lifecycle of deploying, updating, monitoring and maintaining your Dell PowerEdge servers.

iDRAC7 with Lifecycle Controller

The Integrated Dell Remote Access Controller 7 (iDRAC7) with Lifecycle Controller is the heart of the second generation of Dell PowerEdge server embedded management functionality. In addition to enabling agent-free management, iDRAC7 with Lifecycle Controller provides remote access to the system – whether or not there is a functioning operating system running on the server. These embedded features improve all aspects of a typical server lifecycle. Table 19 describes the functions and benefits of iDRAC7 with Lifecycle Controller.

Table 19. iDRAC7 with Lifecycle Controller functions and benefits

Feature	Function	Benefit
Out-of-band (OOB)	iDRAC7 offers real-time OOB discovery, inventory, deployment monitoring, alerting and updates for servers and internal storage	Manage servers independent of the OS type or status – even if an OS is not installed
Single code base	All server types have the same embedded management hardware and firmware	Simplified and consistent maintenance across server platforms
Dedicated GbE port (PowerEdge rack and tower systems)	Gigabit Ethernet (GbE) replaces 10/100 on predecessor iDRAC6	Fast throughput for better performance; compatibility with setup for switches
Email alerts	Simplified, more informative and expanded coverage than previous versions of iDRAC	More detail allows IT administrators to be more efficient in diagnosing and remediating an issue; alerts include a direct, embedded URL in the email notification to further speed resolution
vFlash media	Enabled with iDRAC7 Enterprise	Allows for use of a non-Dell SD card
Enhanced power management	Integration with Intel Node Manager provides data center level power monitoring and capping (requires iDRAC7 Enterprise)	Fine tune data center power policies, capping and usage; report on historical power usage by rack, row or room using Power Center Manager



Feature	Function	Benefit
Electronic licensing	To obtain a software license key for iDRAC7 Express for Blades or iDRAC7 Enterprise after server purchase, submit a request to purchase a software license key through the Dell Licensing Portal or with a Dell sales representative	If iDRAC7 Express for Blades or iDRAC7 Enterprise is ordered during initial point of sale, license key is installed. If Basic Management is ordered during initial point of sale, customer must request a license key through the Dell Licensing Portal. For most server models, embedded server management and electronic licensing enables feature enhancements that do not require installation of additional hardware or system downtime.

iDRAC feature comparison

iDRAC7 Enterprise is available for the PowerEdge M420, and Dell also offers an option of iDRAC7 Express for Blades. A detailed feature comparison for iDRAC7 Enterprise and iDRAC7 Express for Blades is shown in Table 20.

Table 20. Feature comparison for iDRAC7 Enterprise and iDRAC7 Express for Blades

Feature (function)	iDRAC7 Enterprise	iDRAC7 Express for Blades
Local configuration with Lifecycle Controller GUI	•	•
IPMI 2.0	•	•
Embedded diagnostics	•	•
Local OS install	•	•
Local updates	•	•
Driver pack	•	•
Encryption	•	•
Dedicated NIC 1Gbps (100MB in iDRAC6)	• ¹	• ¹
IPv6	•	•
Auto-discovery	•	•
Auto-recovery	•	•
Web GUI	•	•
Remote CLI	•	•
Local/SSH CLI	•	•
Serial redirection	•	•
Remote configuration	•	•
Remote update	•	•
Email alerts	•	•



Feature (function)	iDRAC7 Enterprise	iDRAC7 Express for Blades
SNMP alerts	•	•
Comprehensive monitoring	•	•
Virtual Console	•	• ²
Virtual Media	•	•
Crash screen capture ³	•	•
Power control	•	•
Power monitoring	•	•
Virtual Console chat	•	
Support for customer-supplied SD cards for vFlash	•	
Virtual flash partitions	•	
Virtual folders	•	
Remote file share	•	
Crash video playback	•	
Boot record/playback	•	
Part replacement	•	
Backup and restore configurations	•	
Power capping	•	
Enterprise group power management	•	
Directory services (AD, LDAP)	•	
PK authentication	•	
Two-factor authentication ⁴	•	

¹Blade-to-chassis internal connection is 100MB; ²Single user; ³Requires OMSA agent on target server; ⁴Uses Microsoft® ActiveX® on Internet Explorer® only

Agent-based systems management

Most systems management solutions require pieces of software, called agents, to be installed on each node in order to be managed within the IT environment. Additionally, the same agent is often used as a local interface into the hardware health and may be accessed remotely as a management interface, typically referred to as a one-to-one interface. For customers that continue to use agent-based solutions, Dell provides OpenManage Server Administrator.

OpenManage Server Administrator

The Dell OpenManage Server Administrator (OMSA) agent gives you a comprehensive, one-to-one systems management solution for both local and remote servers and their storage. OMSA can help simplify single-server monitoring with a secure command-line interface (CLI) or web-based management GUI. It can also be used to view system configuration, inventory, health and performance.



Agent-free systems management

Because Dell PowerEdge 12th-generation servers include the embedded server management feature, iDRAC7 with Lifecycle Controller, in many cases, there is no need to install an OpenManage systems management software agent into the operating system of a Dell PowerEdge server. This greatly simplifies and streamlines the management footprint.

Chassis Management Controller console for blade systems

The Dell CMC is a systems management hardware and software solution for managing multiple Dell blade chassis. The CMC is a hot-pluggable module inserted in the back of a Dell blade chassis. It provides a secure interface that enables an administrator to inventory, perform configuration and monitoring tasks, remote power on/off blades, and enable alerts for events on servers and components in the blade chassis.

The CMC uses iDRAC7 with Lifecycle Controller to perform management functions, such as opening a remote console session from the CMC interface.

Dell consoles

The central console in a systems management solution is often referred to as the one-to-many console. The central console provides a rapid view and insight into the overall health of all systems in the IT environment. The Dell systems management portfolio includes several powerful consoles, depending upon your needs, including the following:

- **Dell OpenManage Essentials** — OpenManage Essentials (OME) is a recently released systems management console that provides a comprehensive view of Dell systems, devices and components in an enterprise network. It is used to monitor Dell PowerEdge servers, EqualLogic™ and PowerVault™ storage and Dell Networking switches; to update and configure Dell servers; and to create asset reports. OpenManage Essentials also communicates health status alerts for Dell servers, storage and network devices to the Dell KACE™ K1000 service desk. OpenManage Essentials is available as a no-charge software download from Dell.com/support.

OpenManage systems management tools and utilities

Dell OpenManage systems management tools and utilities consist of the following:

- **Dell Repository Manager** — The Dell Repository Manager (RM) is a standalone GUI-based productivity tool that helps simplify the process of managing downloads and baseline BIOS, firmware, and driver updates. Repository Manager can create deployment disks as well as create and manage customized repositories.
- **Dell OpenManage Server Update Utility** — The Dell Server Update Utility (SUU) is a DVD-based application for identifying and applying BIOS and firmware updates to Dell PowerEdge servers.
- **Dell OpenManage Systems Build and Update Utility** — The Dell System Build and Update Utility (SBUU) provides one-to-one and one-to-many deployment and single-server update capabilities in the pre-operating system environment.
- **Dell Update Packages** — The Dell Update Packages (DUPs) are self-contained executables in standard package format that update a software element on a Dell PowerEdge server such as the BIOS, drivers, firmware and other software updates.
- **Dell OpenManage Deployment Toolkit** — The Dell OpenManage Deployment Toolkit (DTK) is a CLI-based tool that includes a set of utilities for configuring and deploying Dell PowerEdge systems, and can be used to build scripted, unattended OS installations to deploy large quantities of Dell servers in a reliable fashion.



- **RACADM** — The RACADM command-line utility provides a scriptable interface that allows local or remote configuration of iDRAC7 with Lifecycle Controller.
- **IPMITool** — The IPMITool includes scriptable console application programs used to control and manage remote systems using IPMI version 1.5 and later versions.

Integration with third-party consoles

Dell OpenManage easily integrates with several leading third-party consoles, including:

- **Dell Server Management Pack Suite for Microsoft System Center Operations Manager (SCOM)** — This suite of server management packs enables several functions through System Center Operations Manager, including in-band discovery and monitoring of racks and towers, out-of-band discovery and monitoring through iDRAC7 with Lifecycle Controller, as well as performance and advanced monitoring.
- **Dell Lifecycle Controller Integration (DLCI) for Microsoft System Center Configuration Manager (SCCM)** — This pack contains Dell Lifecycle Controller Integration (DLCI), which integrates OpenManage functions in SCCM to manage the Dell PowerEdge servers, including auto-discovery, operating system deployment and configuration of hardware elements, (RAID, NIC, BIOS, iDRAC7), OS and spherevisor agnostic updates, firmware management and system viewer utilities.
- **Dell Server PRO Management Pack for Microsoft System Center Virtual Machine Manager (SCVMM)** — This pack manages Dell physical servers and hosts of virtual machines (VMs) by using Microsoft System Center Operations Manager/System Center Essentials (SCOM/SCE) and System Center Virtual Machine Manager (SCVMM). It provides guidance for remedial actions based on alerts to best manage virtual machines and handle the impacts appropriately.
- **OpenManage Integration for VMware vCenter** — This plug-in allows IT administrators to monitor, provision and manage the physical PowerEdge server hardware and firmware from a dedicated Dell menu accessed through the VMware vCenter console using the same role-based access control model as vCenter, combining physical server management.
- **BMC Software** — Dell and BMC Software work together to simplify IT by ensuring tight integration between Dell server, storage and network management functionality and the BMC Software process and data center automation products.

OpenManage Connections with third-party consoles

Dell OpenManage provides connections with many third-party consoles, including:

- **Dell OpenManage Connection for Computer Associates Network and Systems Management** — This connection allows you to monitor PowerEdge servers and PowerVault storage arrays from within the Computer Associates Network and Systems Management (CA NSM) console.
- **Dell OpenManage Connection for HP Operations Manager** — This connection enables several functions through HP Operations Manager, including auto-grouping, SNMP trap reception, global health monitoring, and a context-sensitive launch of OpenManage Server Administrator.
- **Dell OpenManage Connection for IBM Tivoli Netcool/OMNIBus** — This connection provides event monitoring capabilities to monitor Dell PowerEdge servers and Dell EqualLogic systems. It allows event monitoring, automatic event correlation, and launching device consoles from the Netcool/OMNIBus console.

Dell server management operations

Dell OpenManage systems management is centered on automating the server management lifecycle — deploy, update, monitor and maintain. To manage an infrastructure properly and



efficiently, you must perform all of these functions easily and quickly. iDRAC7 with Lifecycle Controller technology provides you with these intelligent capabilities embedded within the server infrastructure. This allows you to invest more time and energy on business improvements and less on maintenance. Figure 9 illustrates the various operations that can be performed during the server's lifecycle.

Figure 9. Systems management server lifecycle

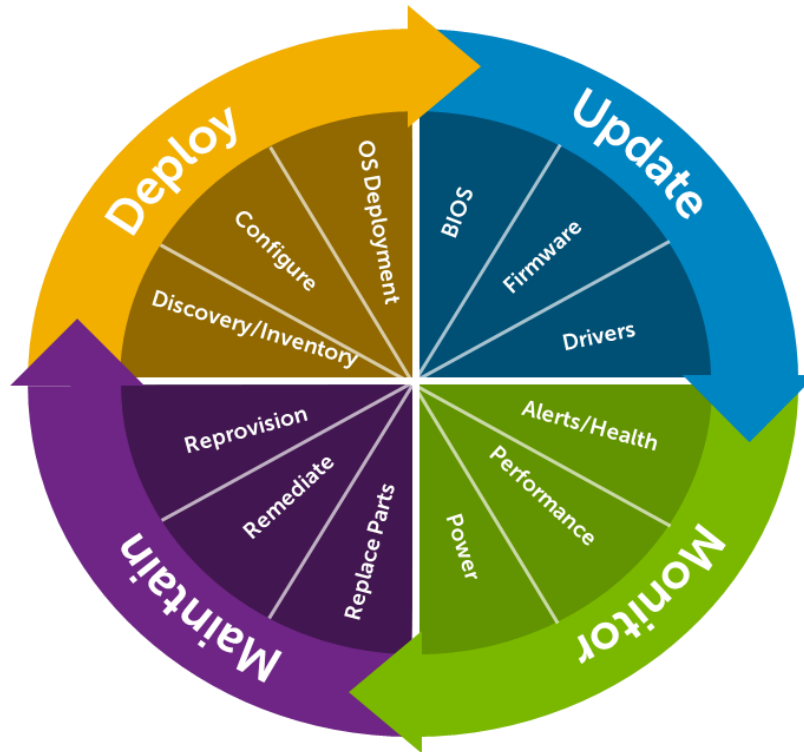


Table 21 lists the products that are available for one-to-one and one-to-many operations, and when they are used in the server's lifecycle:

Table 21. One-to-one and one-to-many operations

Operation	One-to-one	One-to-many
Deploy	<ul style="list-style-type: none"> iDRAC7 with Lifecycle Controller GUI DTK SBUU 	<ul style="list-style-type: none"> Symantec Deployment Server OpenManage Integration for VMware vCenter KACE K1000 Appliance Lifecycle Controller Remote Services BMC BladeLogic integration with Lifecycle Controller
		<ul style="list-style-type: none"> Dell Server Deployment Pack (DSDP) for Microsoft System Center Configuration Manager and Dell Lifecycle Controller Integration (DLCI) for Microsoft System Center Configuration Manager



Operation	One-to-one	One-to-many	
Update	<ul style="list-style-type: none"> • iDRAC7 with Lifecycle Controller GUI • Repository Manager • DUP • SUU • SBUU • OpenManage Integration for VMware vCenter 	<ul style="list-style-type: none"> • Dell OpenManage Essentials • Lifecycle Controller Remote Services 	<ul style="list-style-type: none"> • Dell Update Catalogs for Microsoft System Center Configuration Manager • Dell Lifecycle Controller Integration (DLCI) for Microsoft System Center Configuration Manager
Monitor	<ul style="list-style-type: none"> • iDRAC7 with Lifecycle Controller with GUI • OMSA 	<ul style="list-style-type: none"> • Dell OpenManage Essentials • BMC ProactiveNet Performance Management Integration with Lifecycle Controller • Dell OpenManage Power Center • 	<ul style="list-style-type: none"> • OpenManage Integration for VMware vCenter • BMC ProactiveNet Performance Management Integration with Lifecycle Controller • Dell Server Management Pack Suite for Microsoft System Center Operations Manager (SCOM)
Maintain	<ul style="list-style-type: none"> • IPMI • iDRAC7 with Lifecycle Controller GUI 	<ul style="list-style-type: none"> • Lifecycle Controller Remote Services 	<p>Remediate:</p> <ul style="list-style-type: none"> • Dell Server PRO Management Pack for Microsoft System Center Virtual Machine Manager (SCVMM) <p>Replace parts:</p> <ul style="list-style-type: none"> • Dell Lifecycle Controller Integration (DLCI) for Microsoft System Center Configuration Manager

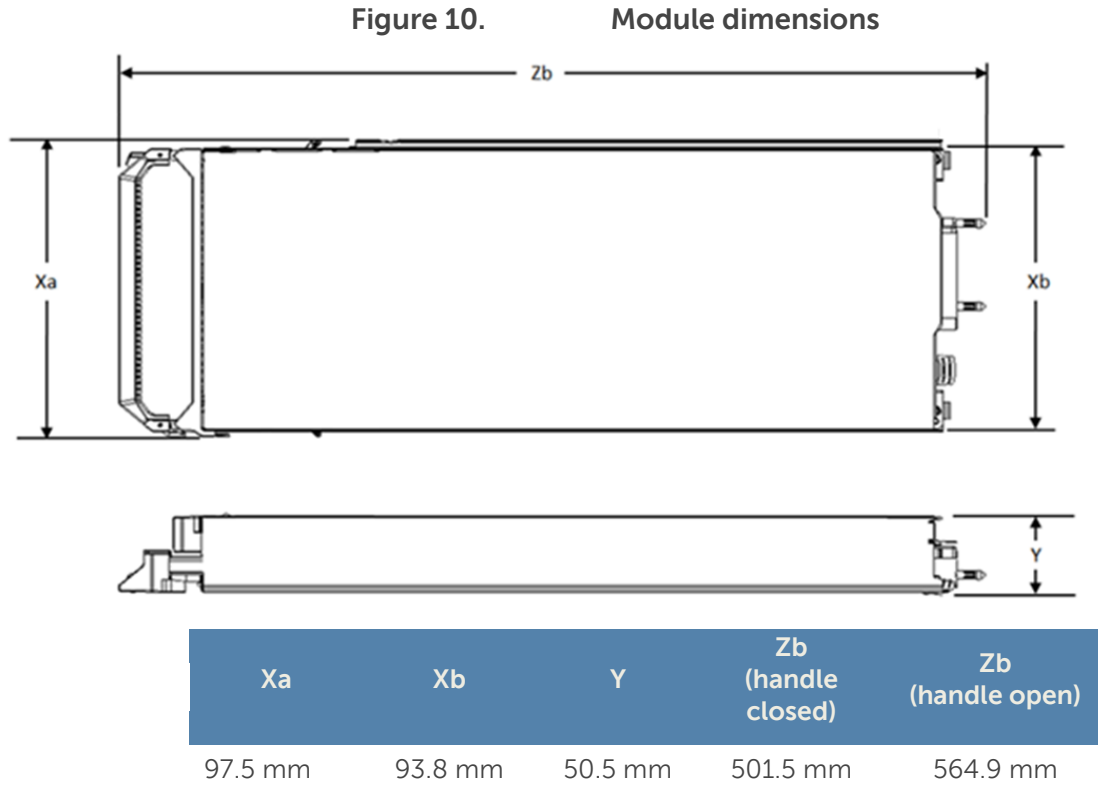
For additional detailed information on Dell's systems management portfolio, see the *Dell OpenManage Systems Management Overview Guide* on Support.Dell.com/Manuals.



Appendix A. Additional specifications

Module dimensions and weight

Figure 10 details the dimensions of the M420 module.



The weight of a maximum-configured M420 blade server is 12.0 kg (26.5 lb).

Video specifications

The Dell PowerEdge M420 iDRAC7 incorporates an integrated video subsystem. The graphics controller is the 2D Matrox G200. The video frame buffer (16MB) is contained within the iDRAC7 RAM (256MB) device.

The M420 system supports the 2D graphics video modes in Table 22.

Table 22. Supported video modes

Resolution	Refresh Rate (Hz)	Color Depth (bit)
640 x 480	60, 70	8, 16, 32
800 x 600	60, 75, 85	8, 16, 32
1024 x 768	60, 75, 85	8, 16, 32
1280 x 1024	60, 75	8, 16, 32
1440 x 900 (stretch goal)	60	8, 16, 32

Environmental specifications

For additional information about environmental measurements for specific system configurations, see [Dell.com/environmental_datasheets](https://www.dell.com/environmental_datasheets). Table 23 details environmental specifications for the M420.

Table 23. Environmental specifications

Fresh Air: temperature, humidity, altitude de-rating	
Continuous operation	10°C to 35°C (50°F to 95°F) at 10% to 80% relative humidity with 26°C (78.8°F) maximum dew point (maximum wet bulb temperature). De-rate maximum allowable dry bulb temperature at 1°C per 300 m above 950 m (1°F per 547 ft above 3117 ft).
Expanded operation	<p>When operating in the expanded temperature range, system performance may be impacted, and ambient temperature warnings may be reported on the LCD and in the System Event Log.</p> <p>≤ 10% of annual operating hours: 5°C to 10°C and 35°C to 40°C (with no direct sunlight on the equipment) at 5% to 85% relative humidity with 26°C dew point (maximum wet bulb temperature). Outside the standard operating temperature (10°C to 35°C), the system can operate down to 5°C or up to 40°C for a maximum of 10% of its annual operating hours. For temperatures between 35°C and 40°C (95°F to 104°F), de-rate maximum allowable dry bulb temperature by 1°C per 175 m above 950 m (1°F per 319 ft above 3117 ft).</p> <p>≤ 1% of annual operating hours: -5°C to 5°C and 40°C to 45°C (with no direct sunlight on the equipment) at 5% to 90% relative humidity with 26°C dew point (maximum wet bulb temperature). Outside the standard operating temperature (10°C to 35°C), the system can operate down to -5°C or up to 45°C for a maximum of 1% of its annual operating hours. For temperatures between 40°C and 45°C (104°F to 113°F), de-rate maximum allowable dry bulb temperature by 1°C per 125 m above 950 m (1°F per 228 ft above 3117 ft).</p> <p>Expanded operation restrictions:</p> <ul style="list-style-type: none"> • No cold startup below 5°C • Single-processor configuration required
Temperature	
Operating	See Fresh Air for temperature information
Storage	-40°C to 65°C (-40°F to 149°F) with a maximum temperature gradation of 20°C per hour
Relative humidity	
Operating	See Fresh Air for relative humidity information
Storage	5% to 95% at a maximum wet bulb temperature of 33°C (91°F); atmosphere must be non-condensing at all times
Maximum vibration	
Operating	0.26 Grms at 5Hz to 350Hz for 15 minutes
Storage	1.54 Grms at 10Hz to 250Hz for 15 minutes



Maximum shock

Operating One shock pulse in the positive z axis (one pulse on each side of the system) of 31G for up to 2.6 ms

Storage Six consecutively executed shock pulses in the positive and negative x, y and z axes (one pulse on each side of the system) of 71G for up to 2 ms

Altitude

Operating -15.2 m to 3048 m (-50 ft to 10,000 ft)

Storage -15.2 m to 12,000 m (-50 ft to 39,370 ft)

Airborne contaminant level

Class G1 or lower as defined by ISA-S71.04-1985

USB peripherals

USB peripherals are supported through the front USB ports, which are USB 2.0 compliant.



Appendix B. Standards compliance

The M420 system conforms to the industry standards in Table 24.

Table 24. Industry standards documentation

Standard	URL for information and specifications
ACPI Advance Configuration and Power Interface Specification, v2.0c	acpi.info
Ethernet IEEE 802.3-2005	standards.ieee.org/getieee802/802.3.html
HDG Hardware Design Guide Version 3.0 for Microsoft Windows Server	microsoft.com/whdc/system/platform/pcdesign/desguide/serv/erdg.mspix
IPMI Intelligent Platform Management Interface, v2.0	intel.com/design/servers/ipmi
DDR3 Memory DDR3 SDRAM Specification, Rev. 3A	jedec.org/download/search/JESD79-3C.pdf
LPC Low Pin Count Interface Specification, Rev. 1.1	developer.intel.com/design/chipsets/industry/lpc.htm
PCI Express PCI Express Base Specification Rev. 2.0 and 3.0	pcsig.com/specifications/pciexpress
PMBus Power System Management Protocol Specification, v1.2	pmbus.info/specs.html
SAS Serial Attached SCSI, v1.1	t10.org
SATA Serial ATA Rev. 2.6; SATA II, SATA 1.0a Extensions, Rev. 1.2	sata-io.org
SMBIOS System Management BIOS Reference Specification, v2.7	dmtf.org/standards/smbios/
TPM Trusted Platform Module Specification, v1.2	trustedcomputinggroup.org
UEFI Unified Extensible Firmware Interface Specification, v2.1	uefi.org/specifications



Standard	URL for information and specifications
USB Universal Serial Bus Specification, Rev. 2.0	usb.org/developers/docs
Windows Logo Windows Logo Program System and Device Requirements, v3.10	microsoft.com/whdc/winlogo/hwrequirements.msp



Appendix C. Additional resources

Table 25 includes a list of documents and websites that provide more information on the Dell PowerEdge M420.

Table 25. Additional resources

Resource	Description of contents	Location
Dell PowerEdge M420 Systems Owner's Manual	This manual, available in PDF format, provides the following information: <ul style="list-style-type: none"> • Chassis features • System Setup program • System messages • System codes and indicators • System BIOS • Remove and replace procedures • Troubleshooting • Diagnostics • Jumpers and connectors 	Dell.com/Support/Manuals
Dell PowerEdge M1000e Enclosure Owner's Manual	This manual provides information on the PowerEdge M1000e chassis enclosure and its supported blade server modules.	Dell.com/Support/Manuals
Dell PowerEdge M1000e, M915, M910, M820, M710HD, M710, M620, M610x, M610, M520 and M420 Getting Started Guide	This guide is printed and shipped with the system, and is also available in PDF format on the Dell support site. This guide provides information on the following: <ul style="list-style-type: none"> • Initial setup steps • Key system features • Technical specifications 	Dell.com/Support/Manuals
System Information Label	The system information label documents the system board layout and system jumper settings.	On the module
Quick Resource Locator (QRL)	This code on the chassis can be scanned by a phone application to access additional information and resources for the server, including videos, reference materials, service tag information and Dell contact information.	On the module
Information Update	This document is printed and shipped with the system, and is also available in PDF format on the Dell support site. This guide provides system update information.	Dell.com/Support/Manuals
PowerEdge M1000e Technical Guide	This guide provides detailed technical information on the M1000e chassis enclosure and its supported features.	Dell.com/PowerEdge



Resource	Description of contents	Location
Energy Smart Solution Advisor (ESSA)	The Dell online advisor console enables easier and more meaningful estimates to help you determine the most efficient configuration possible. Use ESSA to calculate the power consumption of your hardware, power infrastructure and storage.	Dell.com/ESSA
Power and cooling technologies	Provides details for improving energy efficiency in the data center.	Dell.com/PNC
Energy management	Provides information on Dell's Fresh Air solutions.	Dell.com/FreshAir
Operating system matrix for Dell PowerEdge systems	Provides updated information on which operating systems are available on which PowerEdge systems.	Dell.com/OSsupport
Processor and chipset	Provides more information about the R620 processors and chipset.	Intel.com
Dell PowerEdge RAID controllers	Provides more information on Dell PowerEdge RAID controllers (PERC).	Dell.com/PERC
Power distribution unit (PDU)	Provides help selecting a power distribution unit.	DellPDU.com
Uninterruptible power supply (UPS)	Provides help selecting an uninterruptible power supply model.	DellUPS.com
Volatility information	Contact your Dell Sales Representative.	



Appendix D. System board block diagram

Figure 11. M420 system board block diagram

