



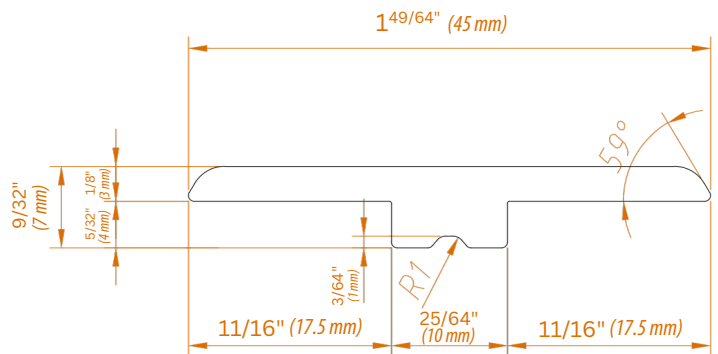
MOLDING

INSTALLATION INSTRUCTIONS

The Metropolitan Collection XL

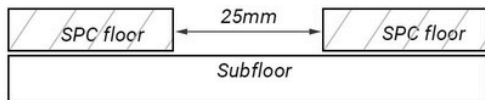
T-MOLDING

The T-molding is used to create a seamless and visually appealing transition between two floors of the same height, often in doorways or between rooms with different flooring materials.



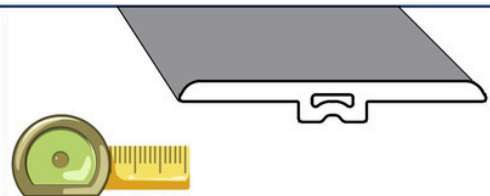
INSTALLATION

1



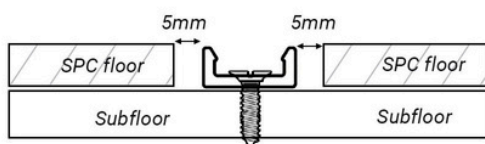
Keep a 25mm gap between the two floors to install.

2



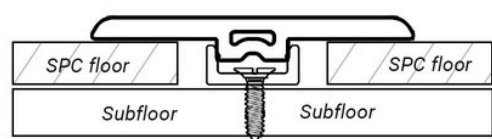
Measure and cut to fit

3



Place u - track in the middle of the gap, align 5mm between the floor and the track. Screw into the subfloor (or use special glue)

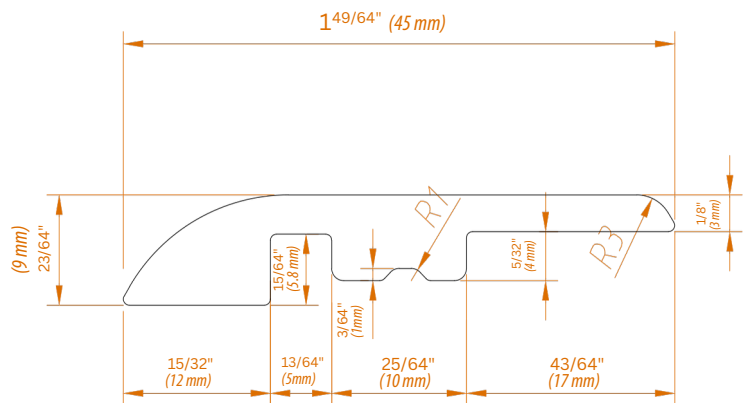
4



Press the molding in along the length of the u - track

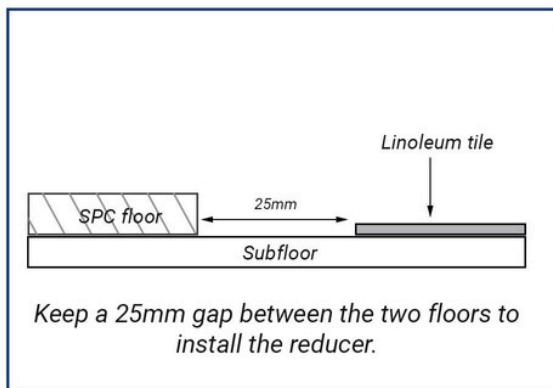
REDUCER

The reducer is a transition piece used to bridge the height difference between two different flooring surfaces, creating a smooth, gradual slope and preventing tripping hazards.

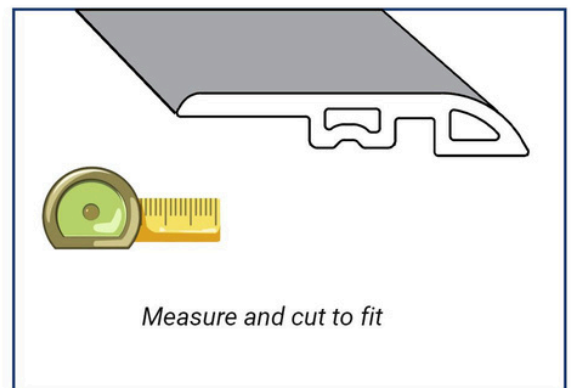


INSTALLATION

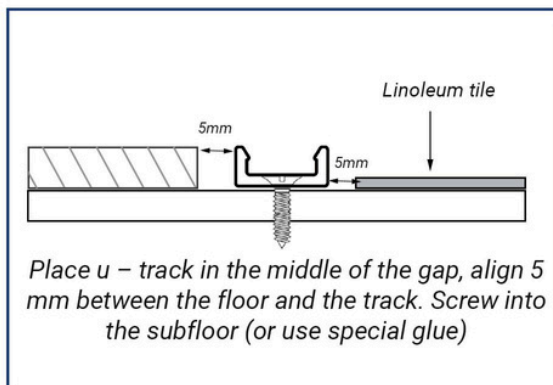
1



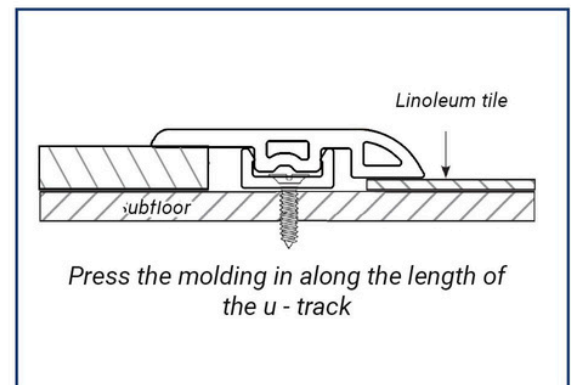
2



3

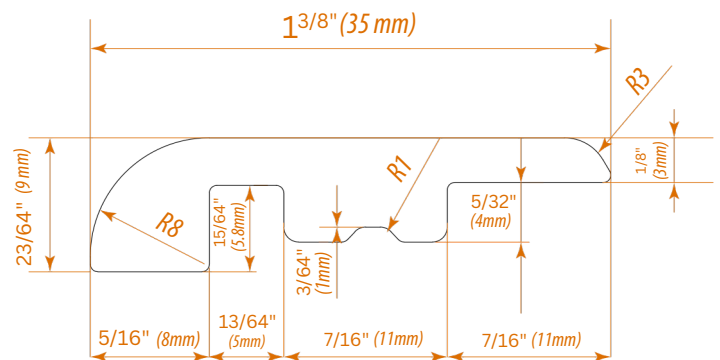


4



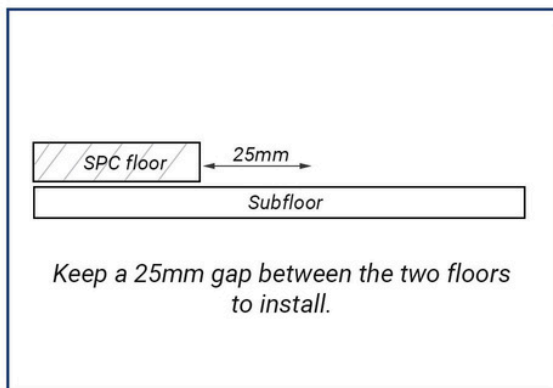
END CAP

The end cap is a type of flooring trim used to finish the end row of flooring. It is typically used when the flooring ends at a wall or sliding glass door. The end cap covers the cut edge of the flooring and provides a clean, finished look.

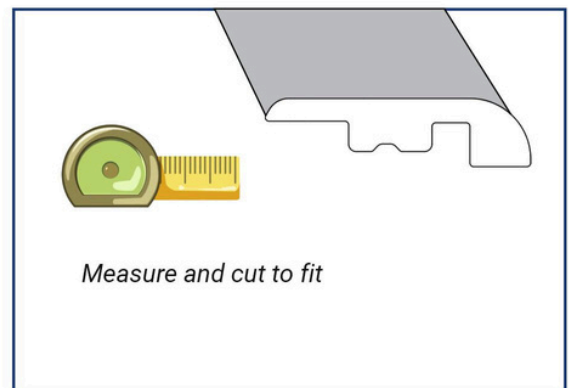


INSTALLATION

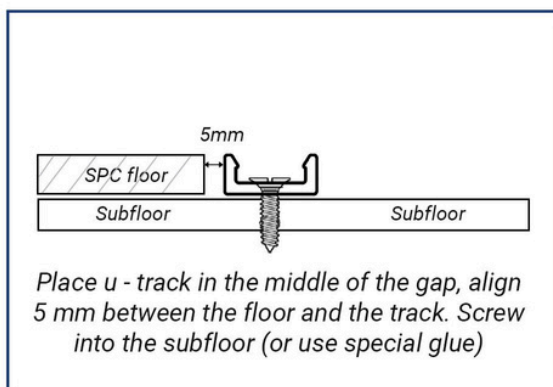
1



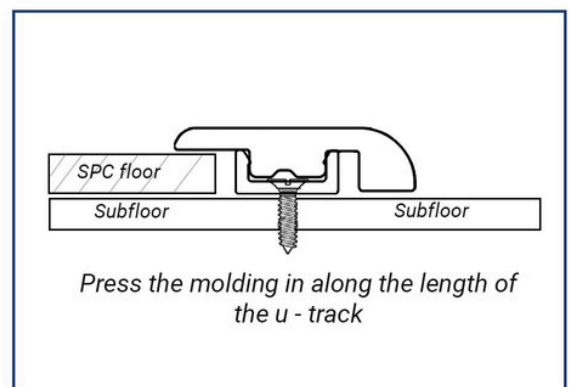
2



3

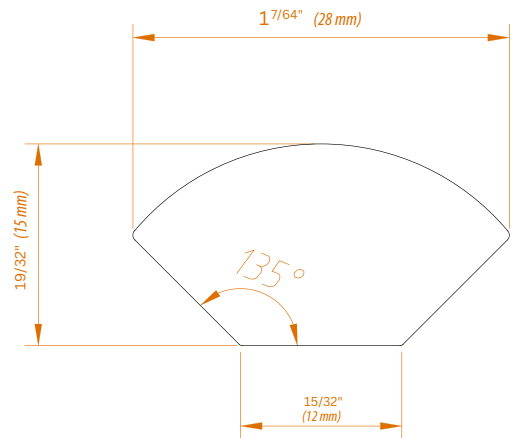


4



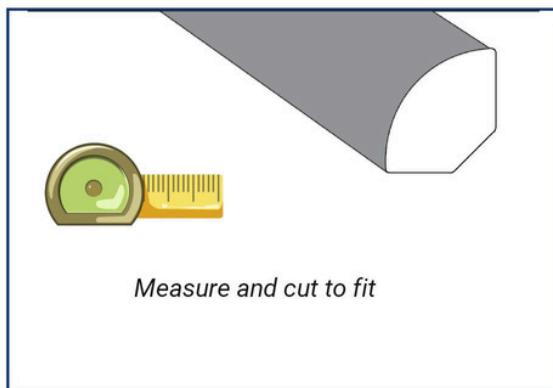
QUARTER ROUND

The quarter round molding, a trim piece shaped like a quarter of a circle, is used to cover the gap between flooring and baseboards or walls, providing a smooth transition and a finished look.

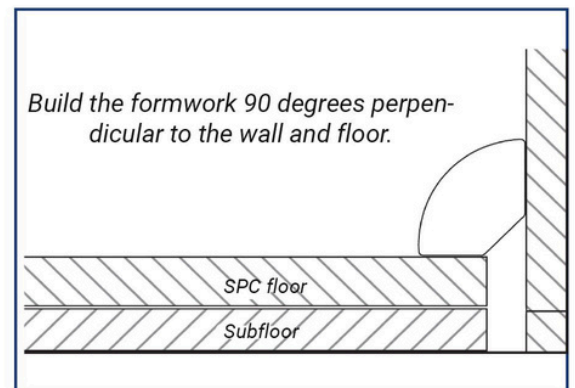


INSTALLATION

1

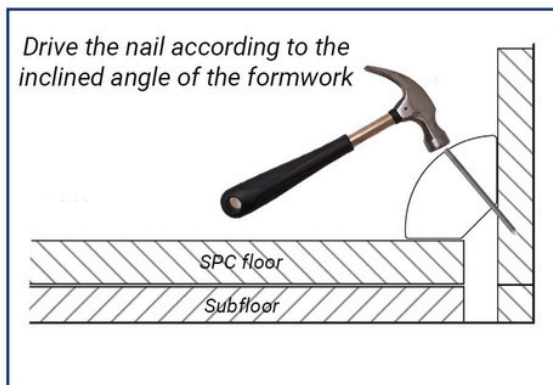


2



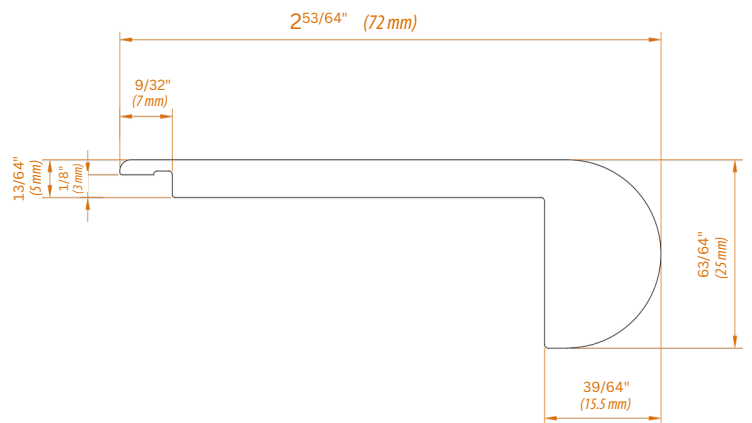
3

Drive the nail according to the inclined angle of the formwork



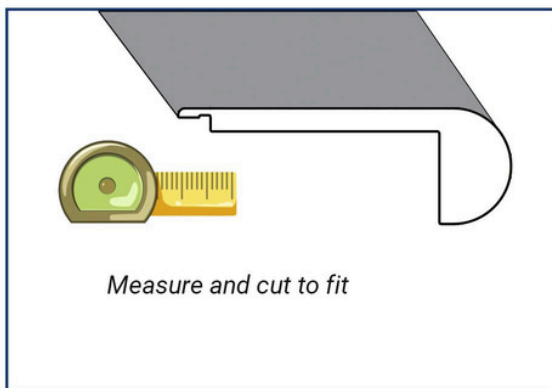
STAIRNOSE

Stair nosing is used to cover the edges of stair treads, providing a finished look, enhancing safety by adding grip, and protecting the flooring from wear and tear.

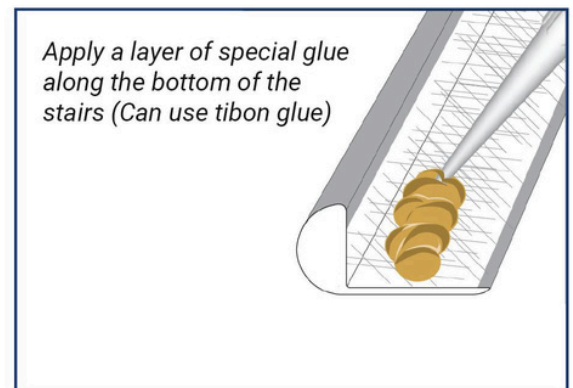


INSTALLATION

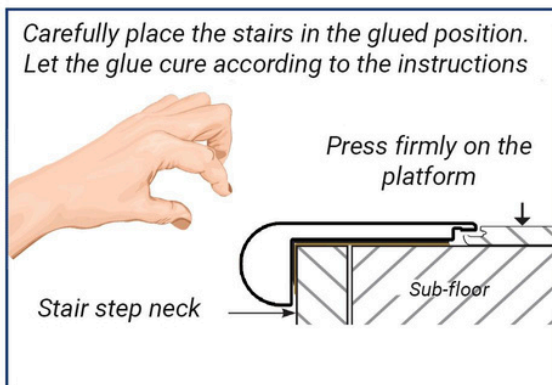
1



2



3



4

