

NIBCO® Press System Lead-Free Bronze Ball Valves

Features: Silicon Performance Bronze® Two-Piece Body • Press Ends Leak Detection • Full Port • Blowout-Proof Stem

Approvals: MSS-SP110/145 • IAPMO/ANSI Z1157 • ASME A112.4.14/CSA B125.14 • NSF/ANSI/CAN 61/372-8 Commercial Hot 180° F • ICC-ES PMG

Size range: ½" - 3"

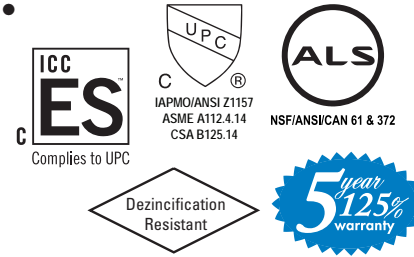
Pressure rating: 250* PSI non-shock cold working pressure

Body design pressure: 600 PSI CWP non-shock cold working pressure

Maximum pressure / temperature: 225 PSI at 250° F*

Lead-free markings: Double oval in body casting, white handle and blue hang tag

United States Patent
No. 10,234,043 &
United States Patent
No. 11,131,403

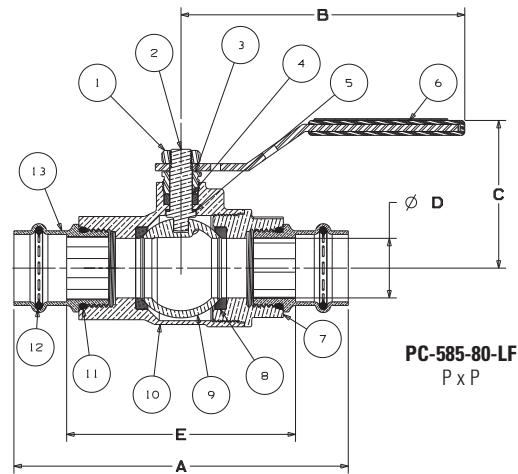


MATERIAL LIST

PART	SPECIFICATION
1. Handle Nut	Zinc Plated Steel
2. Stem	Silicon Bronze ASTM B371 Alloy C69300
3. Pack Gland	Brass ASTM B16 Alloy C36000
4. Packing, Stem	PTFE
5. Thrust Washer	Reinforced PTFE
6. Handle Assembly	Zinc Plated Steel Clear Chromate Plastisol Coated
7. Body End	Silicon Bronze ASTM B584 Alloy C87600
8. Seat Ring (2)	Reinforced PTFE
9. Ball (vented)	DZR Brass SAE J461 C46500 (¼"-1") Stainless Steel ASTM A276 S31600 or ASTM A351 CF8M (1¼"-3")
10. Body	Silicon Bronze ASTM B584 Alloy C87600
11. Boss seal o-ring (2)	EPDM
12. O-Ring (2)	EPDM - Leak Detection
13. Press End Adapter (2)	Wrot Copper ASTM B75 Alloy C12200



PC-585-80-LF
Press x Press
Female End



DIMENSIONS—WEIGHTS—QUANTITIES

SIZE		A		B		C		D		E		Weight	
In.	mm.	In.	mm.	In.	mm.	In.	mm.	In.	mm.	In.	mm.	Lbs.	Kg.
½	15	3.93	100	3.96	101	1.96	50	0.50	13	2.53	64	0.80	0.36
¾	20	5.00	127	4.76	121	2.28	58	0.75	19	3.23	82	1.56	0.71
1	25	5.61	142	4.76	121	2.48	63	1.00	25	3.84	98	2.13	1.00
1¼	32	6.23	158	6.76	172	3.10	79	1.25	32	4.21	107	3.73	1.69
1½	40	7.56	192	6.76	172	3.32	84	1.50	38	4.79	122	5.53	2.51
2	50	8.40	213	6.76	172	3.56	90	2.00	51	5.36	136	7.95	3.61
2½	65	9.49	241	8.06	205	4.33	110	2.50	64	6.55	166	16.20	7.35
3	76	10.45	265	8.06	205	4.58	116	2.95	75	7.13	181	16.50	7.48

*200 PSI CWP and 200 PSI at 200°F for 2½" and above

NIBCO Press System ball valves are designed to meet MSS SP-110 with the exception of the end connection. Ball valves are down-rated from 600 PSI CWP to 250 PSI CWP to match the Press System. Male and female press-to-connect ends are new technology not yet covered in the current edition of this specification

WARNING: This product can expose you to chemicals including lead, which is known to the State of California to cause cancer and birth defects or other reproductive harm. For more information go to www.P65Warnings.ca.gov.

LEAD-FREE: Weighted average lead content ≤ 0.25%

Handle Options:

- Stainless Steel Lever
- NIB-Seal®
- NIB-Seal® Locking Lever
- Locking Lever
- Stainless Steel Locking Lever
- Memory Stop
- Extended Lever w/ Memory Stop
- Round
- Wing
- Horizontal and Vertical Chain

