



PC617XLC - Pro-Connect Press - XLC Copper Cap

PC617XLC Series

Copper Cap

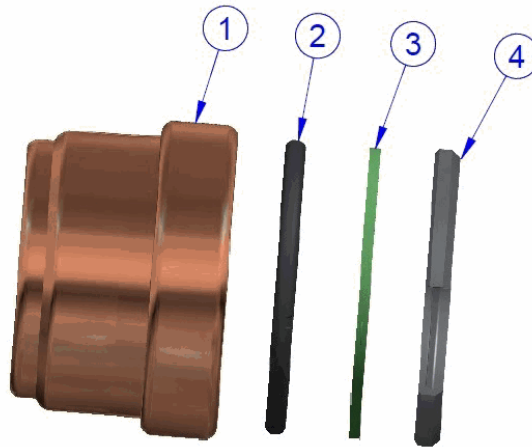
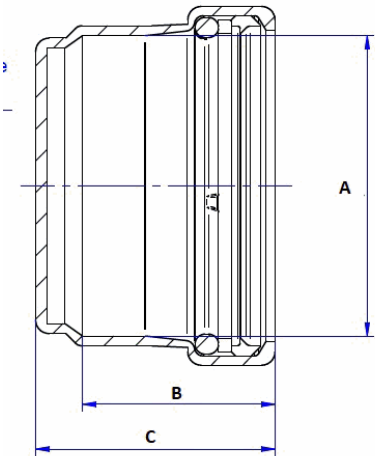
Certifications

Certified to NSF/ANSI 61 & 372, PS117, ASME B16.51



NO.	DESCRIPTION	MATERIAL
1	Body	Copper
2	O-ring	EPDM
3	Washer	Reinforced Nylon
4	Grip Ring	Steel

Size (in)	Item#	Weight (lbs)	CTN Qty	Case Qty	A	B	C		
Press								300 PSI CWP Max	250°F Max
2 1/2"	917295XLC	0.77	1	18	2.64	1.69	2.13		
3"	917300XLC	1.04	1	18	3.14	1.97	2.40		
4"	917310XLC	1.73	1	8	4.15	2.30	2.72		



Specifications: Designed for use with water in residential or commercial plumbing and heating systems. Press ends will leak if left unpressed. Press XLC grip ring is a zinc coated manganese steel providing corrosion protection and extra durability.

