



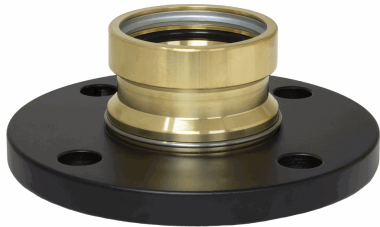
## PC641XLC - Pro-Connect Press - XLC Brass Flange

### PC641XLC Series

### Forged DZR Brass Flange

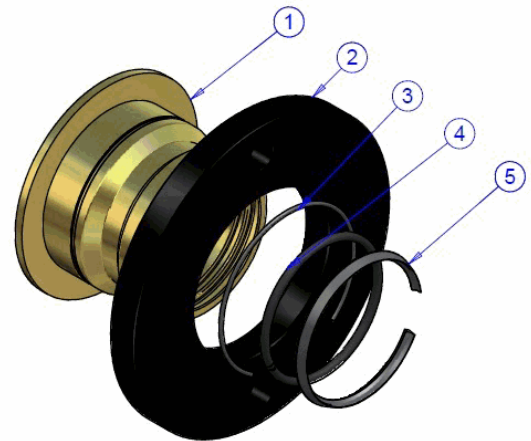
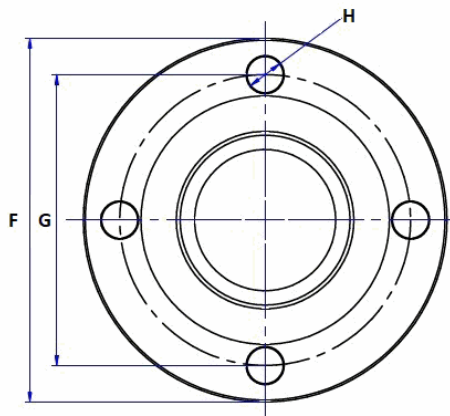
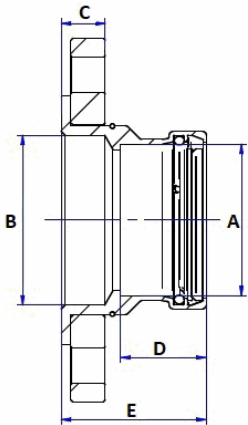
### Certifications

Certified to NSF/ANSI 61 & 372, PS117



NO.	DESCRIPTION	MATERIAL
1	Body	Lead-Free DZR Brass
2	Flange	Epoxy Coated Steel
3	Circ Clip	Stainless Steel
4	O-ring	EPDM
5	Grip Ring	Steel

Size (in)	Item#	Weight (lbs)	CTN Qty	Case Qty	A	B	C	D	E	F	G	H	300 PSI CWP Max	250°F Max
Press x Flange														
2 1/2"	914550XLC	6.80	1	4	2.64	2.87	0.83	1.57	2.76	7	5.5	0.75		
3"	914565XLC	8.50	1	4	3.13	3.50	0.91	1.77	2.99	7.5	6	0.75		
4"	914575XLC	12.00	1	4	4.14	4.49	0.91	2.13	2.99	9	7.5	0.75		



Specifications: Designed for use with water in residential or commercial plumbing and heating systems. Press ends will leak if left unpressed. Press XLC grip ring is a zinc coated manganese steel providing corrosion protection and extra durability.

REV:8/30/2024

