



PC606XLC - Pro-Connect Press - XLC Copper 45° Elbows

PC6062XLC Series

Copper 45° Elbow (Street)

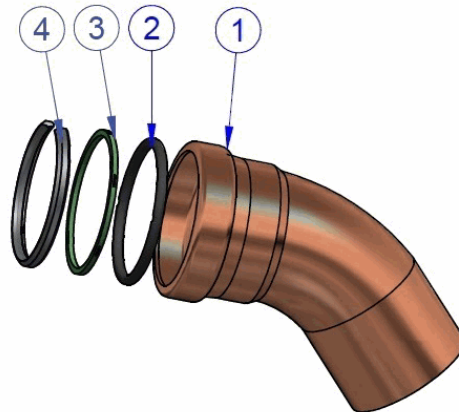
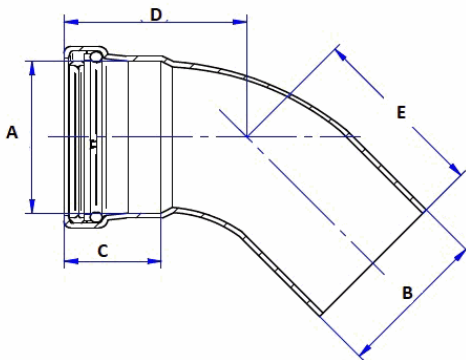
Certifications

Certified to NSF/ANSI 61 & 372, PS117, ASME B16.51



NO.	DESCRIPTION	MATERIAL
1	Body	Copper
2	O-ring	EPDM
3	Washer	Reinforced Nylon
4	Grip Ring	Steel

Size (in)	Item#	Weight (lbs)	CTN Qty	Case Qty	A	B	C	D	E	300 PSI CWP Max	250°F Max
Press x FTG											
2 1/2"	904680XLC	1.50	1	4	2.64	2.62	1.71	3.18	3.10		
3"	904690XLC	2.24	1	4	3.14	3.12	1.99	3.70	3.89		
4"	904700XLC	3.92	1	3	4.15	4.12	2.30	4.59	4.47		



Specifications: Designed for use with water in residential or commercial plumbing and heating systems. Press ends will leak if left unpressed. Press XLC grip ring is a zinc coated manganese steel providing corrosion protection and extra durability.

REV:8/30/2024





PC606XLC - Pro-Connect Press - XLC Copper 45° Elbows

PC606XLC Series

Copper 45° Elbow

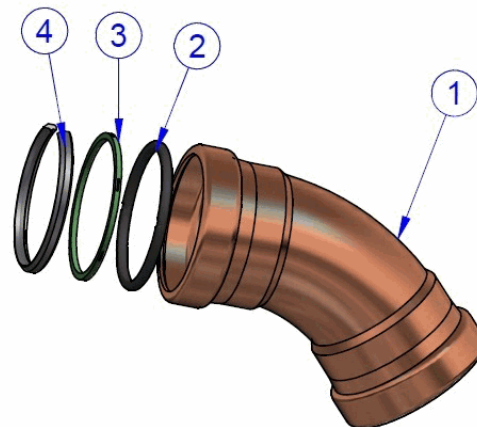
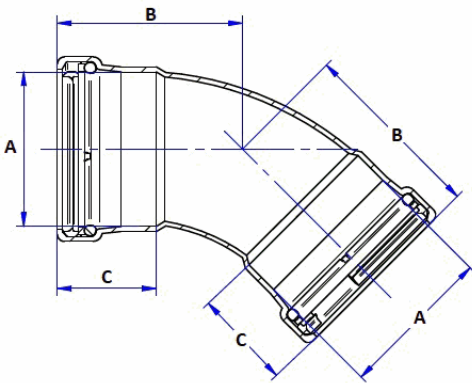
Certifications

Certified to NSF/ANSI 61 & 372, PS117, ASME B16.51



NO.	DESCRIPTION	MATERIAL
1	Body	Copper
2	O-ring	EPDM
3	Washer	Reinforced Nylon
4	Grip Ring	Steel

Size (in)	Item#	Weight (lbs)	CTN Qty	Case Qty	A	B	C	300 PSI CWP Max	250°F Max
2 1/2"	904340XLC	1.68	1	4	2.64	3.13	1.71		
3"	904350XLC	2.47	1	4	3.14	3.68	1.99		
4"	904370XLC	4.16	1	3	4.15	4.53	2.30		



Specifications: Designed for use with water in residential or commercial plumbing and heating systems. Press ends will leak if left unpressed. Press XLC grip ring is a zinc coated manganese steel providing corrosion protection and extra durability.

REV:8/30/2024

LEAD-FREE: Weighted average lead content ≤ 0.25%

WWW.WEBSTONEVALVES.COM



WARNING: Cancer and Reproductive Harm - www.P65Warnings.ca.gov