



PC611XLC - Pro-Connect Press - XLC Copper Tees

PC611XLC Series

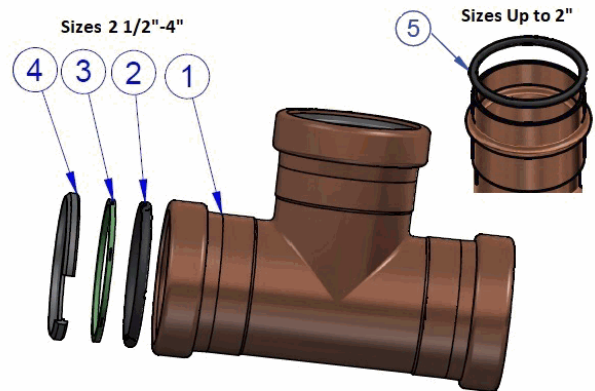
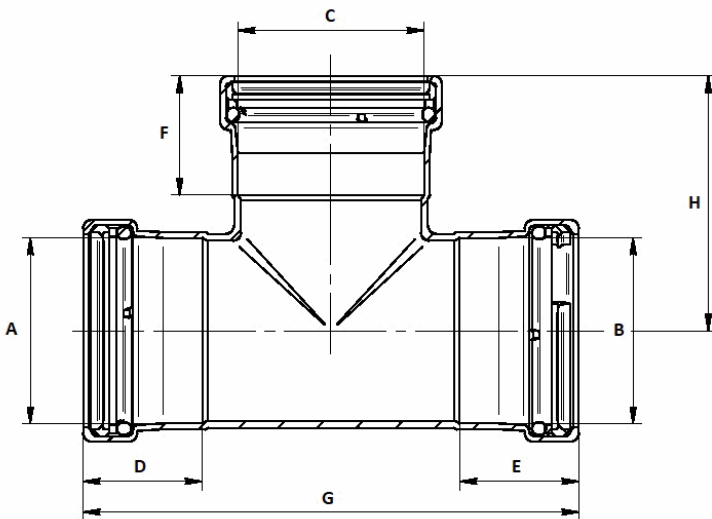
Copper Tee

Certifications

Certified to NSF/ANSI 61 & 372, PS117, ASME B16.51



| NO. | DESCRIPTION | MATERIAL |
|-----|-------------|------------------|
| 1 | Body | Copper |
| 2 | O-ring | EPDM |
| 3 | Washer | Reinforced Nylon |
| 4 | Grip Ring | Steel |
| 5 | O-ring | EPDM |



Specifications: Designed for use with water in residential or commercial plumbing and heating systems. Press ends will leak if left unpressed. Press XLC grip ring is a zinc coated manganese steel providing corrosion protection and extra durability.



| Size (in) | Item# | Weight (lbs) | CTN Qty | Case Qty | A | B | C | D | E | F | G | H |
|--------------------------|-----------|--------------|---------|----------|------|------|------|------|------|------|------------------------|------------------|
| Press | | | | | | | | | | | 300 PSI CWP Max | 250°F Max |
| 2 1/2" x 2 1/2" x 1/2" | 910490XLC | 1.98 | 1 | 4 | 2.64 | 2.64 | 0.63 | 1.69 | 1.69 | 0.75 | 5.98 | 3.54 |
| 2 1/2" x 2" x 1" | 910515XLC | 1.98 | 1 | 8 | 2.64 | 2.15 | 1.13 | 1.69 | 1.57 | 0.94 | 6.56 | 3.35 |
| 2 1/2" x 2" x 3/4" | 910520XLC | 1.99 | 1 | 8 | 2.64 | 2.15 | 0.89 | 1.69 | 1.57 | 0.91 | 6.56 | 3.46 |
| 2 1/2" x 3/4" x 2 1/2" | 910620XLC | 2.06 | 1 | 4 | 2.64 | 0.89 | 2.15 | 1.69 | 0.91 | 1.57 | 8.03 | 3.7 |
| 2 1/2" x 2" x 1 1/2" | 910505XLC | 2.06 | 1 | 8 | 2.64 | 2.15 | 1.65 | 1.69 | 1.57 | 1.42 | 7.05 | 3.86 |
| 2 1/2" x 2 1/2" x 3/4" | 910485XLC | 2.10 | 1 | 4 | 2.64 | 2.64 | 0.89 | 1.69 | 1.69 | 0.91 | 5.98 | 3.46 |
| 2 1/2" x 2 1/2" x 1" | 910480XLC | 2.12 | 1 | 4 | 2.64 | 2.64 | 1.13 | 1.69 | 1.69 | 0.94 | 5.98 | 3.35 |
| 2 1/2" x 2 1/2" x 1 1/4" | 910475XLC | 2.15 | 1 | 4 | 2.64 | 2.64 | 1.39 | 1.71 | 1.71 | 1.02 | 5.98 | 3.07 |
| 2 1/2" x 2" x 2" | 910500XLC | 2.17 | 1 | 4 | 2.64 | 2.15 | 2.15 | 1.69 | 1.57 | 1.57 | 7.05 | 3.58 |
| 2 1/2" x 2 1/2" x 1 1/2" | 910470XLC | 2.19 | 1 | 4 | 2.64 | 2.64 | 1.65 | 1.69 | 1.69 | 1.42 | 6.5 | 3.86 |
| 2 1/2" x 2 1/2" x 2" | 910465XLC | 2.23 | 1 | 4 | 2.64 | 2.64 | 2.15 | 1.69 | 1.69 | 1.57 | 6.5 | 3.54 |
| 2 1/2" x 1 1/2" x 2 1/2" | 910530XLC | 2.25 | 1 | 4 | 2.64 | 1.65 | 2.15 | 1.69 | 1.42 | 1.57 | 7.95 | 3.64 |
| 2 1/2" x 1 1/4" x 2 1/2" | 910540XLC | 2.25 | 1 | 4 | 2.64 | 1.39 | 2.64 | 1.71 | 1.02 | 1.71 | 7.48 | 3.7 |
| 2 1/2" x 1" x 2 1/2" | 910590XLC | 2.25 | 1 | 4 | 2.64 | 1.13 | 2.15 | 1.69 | 0.94 | 1.57 | 7.87 | 3.7 |
| 2 1/2" x 2" x 2 1/2" | 910495XLC | 2.38 | 1 | 4 | 2.64 | 2.15 | 2.64 | 1.69 | 1.57 | 1.69 | 7.56 | 3.64 |
| 2 1/2" | 910445XLC | 2.71 | 1 | 4 | 2.64 | 2.64 | 2.64 | 1.69 | 1.69 | 2.64 | 7.05 | 3.7 |
| 3" x 2" x 2" | 910755XLC | 2.96 | 1 | 4 | 3.14 | 2.15 | 2.15 | 1.97 | 1.57 | 1.57 | 8.27 | 4.25 |
| 3" x 3" x 3/4" | 910700XLC | 3.00 | 1 | 4 | 3.14 | 3.14 | 0.89 | 1.97 | 1.97 | 0.91 | 6.73 | 3.7 |
| 3" x 3" x 1/2" | 910705XLC | 3.02 | 1 | 4 | 3.14 | 3.14 | 0.63 | 1.97 | 1.97 | 0.75 | 6.73 | 3.78 |
| 3" x 3" x 1 1/4" | 910690XLC | 3.05 | 1 | 4 | 3.14 | 3.14 | 1.39 | 1.99 | 1.99 | 1.02 | 6.73 | 3.31 |
| 3" x 3" x 1" | 910695XLC | 3.05 | 1 | 4 | 3.14 | 3.14 | 1.13 | 1.97 | 1.97 | 0.94 | 6.73 | 3.6 |
| 3" x 2" x 2 1/2" | 910750XLC | 3.09 | 1 | 3 | 3.14 | 2.15 | 2.64 | 1.97 | 1.57 | 1.69 | 8.27 | 3.98 |
| 3" x 3" x 1 1/2" | 910685XLC | 3.12 | 1 | 4 | 3.14 | 3.14 | 1.65 | 1.97 | 1.97 | 1.42 | 7.64 | 4.76 |
| 3" x 1 1/4" x 3" | 910790XLC | 3.17 | 1 | 3 | 3.14 | 1.39 | 3.14 | 1.99 | 1.02 | 1.99 | 8.5 | 4.21 |
| 3" x 3" x 2" | 910680XLC | 3.18 | 1 | 3 | 3.14 | 3.14 | 2.15 | 1.97 | 1.97 | 1.57 | 7.64 | 4.25 |
| 3" x 2 1/2" x 2 1/2" | 910715XLC | 3.20 | 1 | 4 | 3.14 | 2.64 | 2.64 | 1.97 | 1.69 | 1.69 | 8.19 | 3.98 |
| 3" x 3" x 2 1/2" | 910675XLC | 3.30 | 1 | 3 | 3.14 | 3.14 | 2.64 | 1.97 | 1.97 | 1.69 | 7.64 | 3.9 |
| 3" x 1 1/2" x 3" | 910780XLC | 3.34 | 1 | 3 | 3.14 | 1.65 | 3.14 | 1.99 | 1.42 | 1.99 | 9.49 | 4.21 |
| 3" x 2 1/2" x 2" | 910720XLC | 3.40 | 1 | 4 | 3.14 | 2.64 | 2.15 | 1.97 | 1.69 | 1.57 | 8.19 | 4.33 |
| 3" x 2 1/2" x 3" | 910710XLC | 3.46 | 1 | 4 | 3.14 | 2.64 | 3.14 | 1.97 | 1.69 | 1.97 | 8.58 | 4.25 |
| 3" x 2" x 3" | 910745XLC | 3.49 | 1 | 3 | 3.14 | 2.15 | 3.14 | 1.97 | 1.57 | 1.97 | 8.7 | 4.25 |
| 3" | 910660XLC | 3.74 | 1 | 4 | 3.14 | 3.14 | 3.14 | 1.97 | 1.97 | 3.14 | 8.07 | 4.17 |
| 4" x 4" x 1/2" | 911265XLC | 4.35 | 1 | 4 | 4.15 | 4.15 | 0.63 | 2.30 | 2.30 | 0.75 | 7.8 | 4.39 |
| 4" x 4" x 3/4" | 911260XLC | 4.35 | 1 | 4 | 4.15 | 4.15 | 0.89 | 2.30 | 2.30 | 0.91 | 7.8 | 4.33 |
| 4" x 4" x 1 1/4" | 911250XLC | 4.37 | 1 | 4 | 4.15 | 4.15 | 1.39 | 2.30 | 2.30 | 1.02 | 7.8 | 3.9 |
| 4" x 4" x 1" | 911255XLC | 4.37 | 1 | 4 | 4.15 | 4.15 | 1.13 | 2.30 | 2.30 | 0.94 | 7.8 | 4.19 |
| 4" x 4" x 1 1/2" | 911245XLC | 4.46 | 1 | 4 | 4.15 | 4.15 | 1.65 | 2.30 | 2.31 | 1.42 | 8.11 | 5.16 |
| 4" x 4" x 2" | 911240XLC | 4.51 | 1 | 4 | 4.15 | 4.15 | 2.15 | 2.30 | 2.30 | 1.57 | 8.11 | 4.88 |
| 4" x 4" x 2 1/2" | 911235XLC | 5.16 | 1 | 3 | 4.15 | 4.15 | 2.64 | 2.30 | 2.30 | 1.69 | 8.11 | 4.49 |
| 4" x 4" x 3" | 911230XLC | 5.71 | 1 | 3 | 4.15 | 4.15 | 3.14 | 2.30 | 2.30 | 1.97 | 9.65 | 5.75 |
| 4" | 911215XLC | 6.02 | 1 | 3 | 4.15 | 4.15 | 4.15 | 2.30 | 2.30 | 4.15 | 9.65 | 5.16 |

