



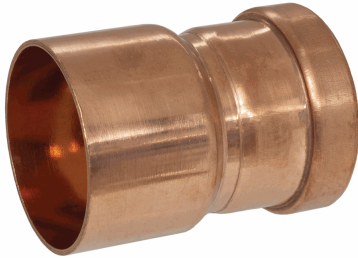
PC600XLC - Pro-Connect Press - XLC Copper Couplings

PC6002XLC Series

Copper Coupling (Street)

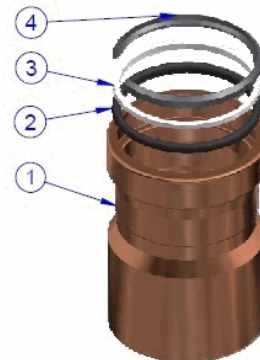
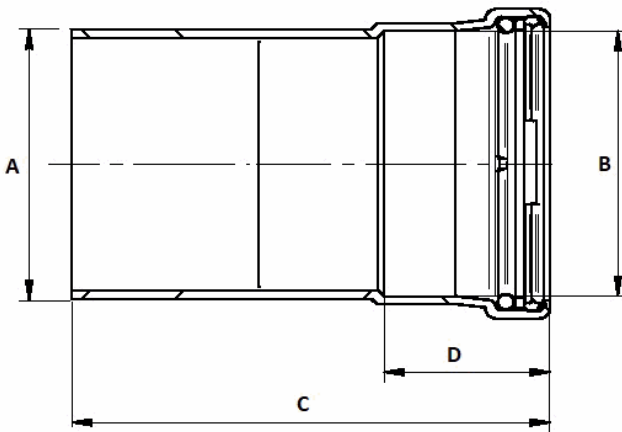
Certifications

Certified to NSF/ANSI 61 & 372, PS117, ASME B16.51



| NO. | DESCRIPTION | MATERIAL |
|-----|-------------|------------------|
| 1 | Body | Copper |
| 2 | O-ring | EPDM |
| 3 | Washer | Reinforced Nylon |
| 4 | Grip Ring | Steel |

| Size (in) | Item# | Weight (lbs) | CTN Qty | Case Qty | A | B | C | D | 300 PSI CWP Max | 250°F Max |
|-------------|-----------|--------------|---------|----------|------|------|------|------|-----------------|-----------|
| Press x FTG | | | | | | | | | | |
| 2 1/2" x 3" | 900965XLC | 1.28 | 1 | 8 | 3.12 | 2.64 | 4.53 | 1.69 | | |
| 2 1/2" x 4" | 901040XLC | 2.25 | 1 | 8 | 4.12 | 2.64 | 5.83 | 1.71 | | |
| 3" x 4" | 901035XLC | 2.50 | 1 | 8 | 4.12 | 3.14 | 5.47 | 1.99 | | |



Specifications: Designed for use with water in residential or commercial plumbing and heating systems. Press ends will leak if left unpressed. Press XLC grip ring is a zinc coated manganese steel providing corrosion protection and extra durability.

REV:8/30/2024





PC600XLC - Pro-Connect Press - XLC Copper Couplings

PC600DSXLC Series

Copper Coupling

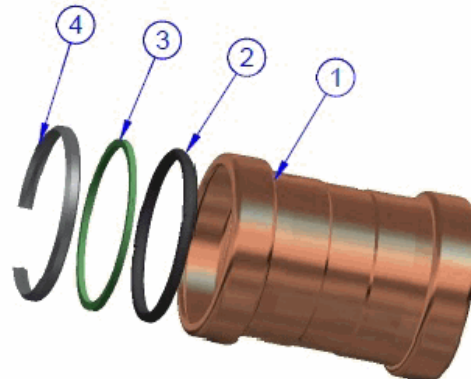
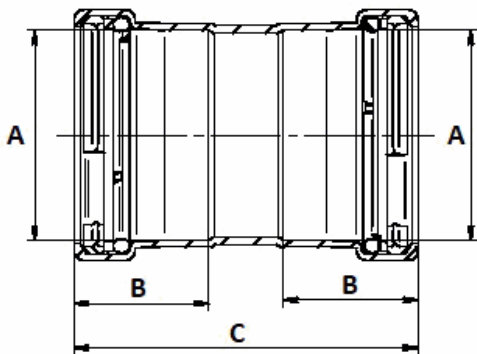
Certifications

Certified to NSF/ANSI 61 & 372, PS117, ASME B16.51



| NO. | DESCRIPTION | MATERIAL |
|-----|-------------|------------------|
| 1 | Body | Copper |
| 2 | O-ring | EPDM |
| 3 | Washer | Reinforced Nylon |
| 4 | Grip Ring | Steel |

| Size (in) | Item# | Weight (lbs) | CTN Qty | Case Qty | A | B | C | 300 PSI CWP Max | 250°F Max |
|-----------|-----------|--------------|---------|----------|------|------|------|-----------------|-----------|
| 2 1/2" | 900265XLC | 1.31 | 1 | 8 | 2.64 | 1.69 | 4.33 | | |
| 3" | 900305XLC | 1.81 | 1 | 8 | 3.14 | 1.97 | 4.92 | | |
| 4" | 900385XLC | 2.83 | 1 | 8 | 4.15 | 2.30 | 5.55 | | |



Specifications: Designed for use with water in residential or commercial plumbing and heating systems. Press ends will leak if left unpressed. Press XLC grip ring is a zinc coated manganese steel providing corrosion protection and extra durability.





PC600XLC - Pro-Connect Press - XLC Copper Couplings

PC600XLC Series

Copper Coupling

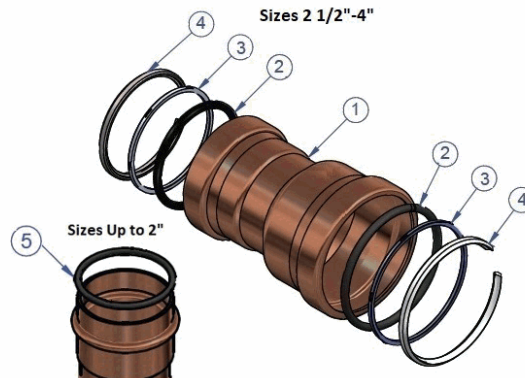
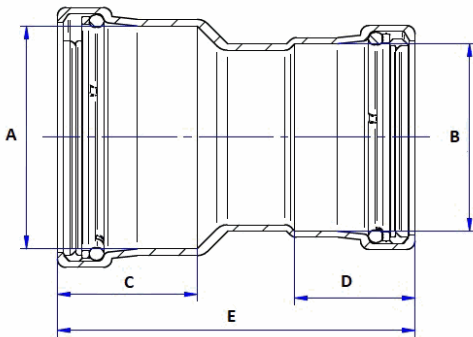
Certifications

Certified to NSF/ANSI 61 & 372, PS117, ASME B16.51



| NO. | DESCRIPTION | MATERIAL |
|-----|-------------|------------------|
| 1 | Body | Copper |
| 2 | O-ring | EPDM |
| 3 | Washer | Reinforced Nylon |
| 4 | Grip Ring | Steel |
| 5 | O-ring | EPDM |

| Size (in) | Item# | Weight (lbs) | CTN Qty | Case Qty | A | B | C | D | E | 300 PSI CWP Max | 250°F Max |
|-----------------|-----------|--------------|---------|----------|------|------|------|------|------|-----------------|-----------|
| 2 1/2" x 1" | 900285XLC | 0.83 | 1 | 8 | 2.64 | 1.13 | 1.71 | 0.96 | 4.92 | | |
| 2 1/2" x 1 1/4" | 900280XLC | 0.93 | 1 | 8 | 2.64 | 1.39 | 1.71 | 1.02 | 4.61 | | |
| 2 1/2" x 1 1/2" | 900275XLC | 1.04 | 1 | 8 | 2.64 | 1.80 | 1.69 | 1.42 | 4.49 | | |
| 2 1/2" x 2" | 900270XLC | 1.13 | 1 | 8 | 2.64 | 2.30 | 1.69 | 1.57 | 4.69 | | |
| 3" x 1 1/2" | 900320XLC | 1.24 | 1 | 8 | 3.14 | 1.65 | 1.99 | 1.42 | 5.12 | | |
| 3" x 2" | 900315XLC | 1.46 | 1 | 8 | 3.14 | 2.15 | 1.97 | 1.57 | 5.04 | | |
| 3" x 2 1/2" | 900310XLC | 1.68 | 1 | 8 | 3.14 | 2.64 | 1.97 | 1.69 | 5.04 | | |
| 4" x 2" | 900405XLC | 2.09 | 1 | 8 | 4.15 | 2.15 | 2.30 | 1.57 | 5.98 | | |
| 4" x 2 1/2" | 900400XLC | 2.33 | 1 | 8 | 4.15 | 2.64 | 2.30 | 1.71 | 5.94 | | |
| 4" x 3" | 900395XLC | 2.46 | 1 | 8 | 4.15 | 3.14 | 2.30 | 1.97 | 5.87 | | |



Specifications: Designed for use with water in residential or commercial plumbing and heating systems. Press ends will leak if left unpressed. Press XLC grip ring is a zinc coated manganese steel providing corrosion protection and extra durability.

