



## PC601XLC - Pro-Connect Press - XLC Copper Slip Couplings

### PC601XLC Series

### Copper Slip Coupling

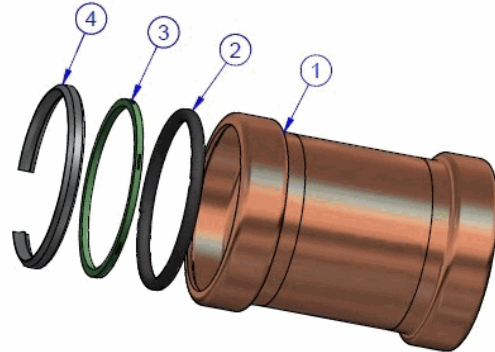
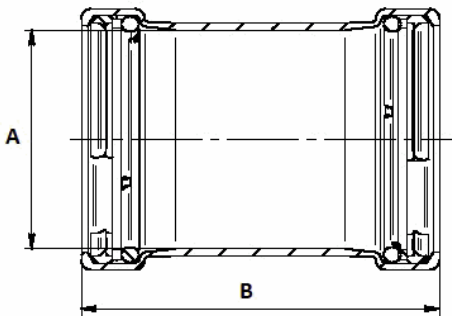
#### Certifications

Certified to NSF/ANSI 61 & 372, PS117, ASME B16.51



NO.	DESCRIPTION	MATERIAL
1	Body	Copper
2	O-ring	EPDM
3	Washer	Reinforced Nylon
4	Grip Ring	Steel

Size (in)	Item#	Weight (lbs)	CTN Qty	Case Qty	A	B	300 PSI CWP Max	250°F Max
2 1/2"	902070XLC	1.18	1	8	2.64	4.33		
3"	902075XLC	1.68	1	8	3.14	4.92		
4"	902085XLC	2.74	1	8	4.15	5.79		



Specifications: Designed for use with water in residential or commercial plumbing and heating systems. Press ends will leak if left unpressed. Press XLC grip ring is a zinc coated manganese steel providing corrosion protection and extra durability.

