



PC607XLC - Pro-Connect Press - XLC Copper 90° Elbows

PC6072XLC Series

Copper 90° Elbow (Street)

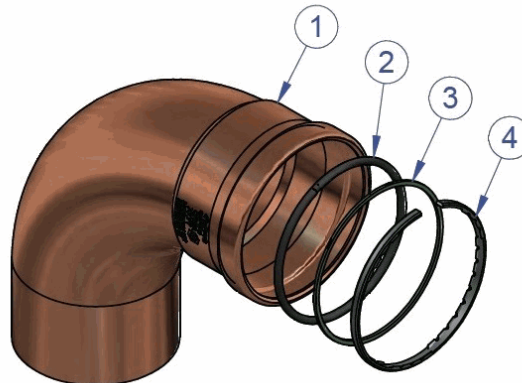
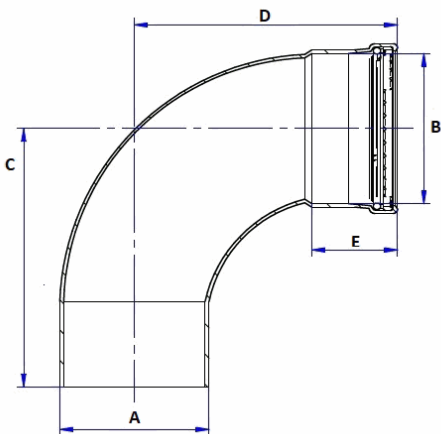
Certifications

Certified to NSF/ANSI 61 & 372, PS117, ASME B16.51



| NO. | DESCRIPTION | MATERIAL |
|-----|-------------|------------------|
| 1 | Body | Copper |
| 2 | O-ring | EPDM |
| 3 | Washer | Reinforced Nylon |
| 4 | Grip Ring | Steel |

| Size (in) | Item# | Weight (lbs) | CTN Qty | Case Qty | A | B | C | D | E | 300 PSI CWP Max | 250°F Max |
|-----------|-----------|--------------|---------|----------|------|------|------|------|------|-----------------|-----------|
| 2 1/2" | 905940XLC | 1.98 | 1 | 4 | 2.62 | 2.64 | 4.88 | 4.96 | 1.69 | | |
| 3" | 905945XLC | 2.92 | 1 | 4 | 3.12 | 3.14 | 5.71 | 5.83 | 1.97 | | |
| 4" | 905955XLC | 5.21 | 1 | 2 | 4.12 | 4.15 | 7.13 | 7.28 | 2.30 | | |



Specifications: Designed for use with water in residential or commercial plumbing and heating systems. Press ends will leak if left unpressed. Press XLC grip ring is a zinc coated manganese steel providing corrosion protection and extra durability. 4" model does not meet ASME B16.51.

REV:11/19/2024





PC607XLC - Pro-Connect Press - XLC Copper 90° Elbows

PC607XLC Series

Copper 90° Elbow

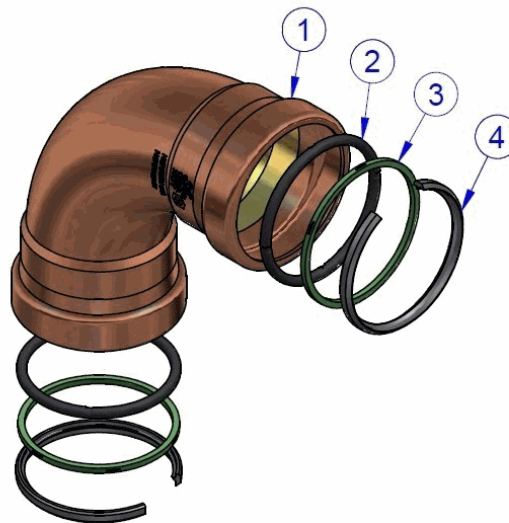
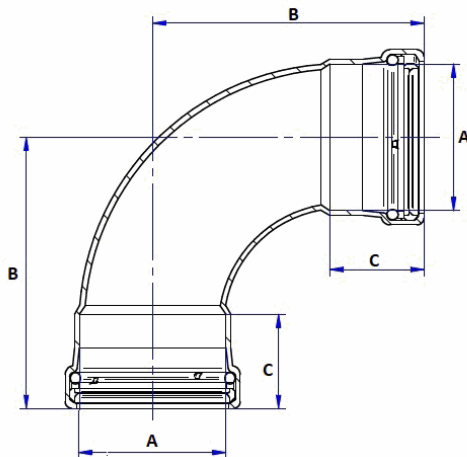
Certifications

Certified to NSF/ANSI 61 & 372, PS117, ASME B16.51



| NO. | DESCRIPTION | MATERIAL |
|-----|-------------|------------------|
| 1 | Body | Copper |
| 2 | O-ring | EPDM |
| 3 | Washer | Reinforced Nylon |
| 4 | Grip Ring | Steel |

| Size (in) | Item# | Weight (lbs) | CTN Qty | Case Qty | A | B | C | 300 PSI CWP Max | 250°F Max |
|-----------|-----------|--------------|---------|----------|------|------|------|-----------------|-----------|
| 2 1/2" | 905665XLC | 2.14 | 1 | 4 | 2.64 | 4.88 | 1.69 | | |
| 3" | 905690XLC | 3.15 | 1 | 2 | 3.14 | 5.73 | 1.97 | | |
| 4" | 905720XLC | 5.42 | 1 | 2 | 4.15 | 7.20 | 2.30 | | |



Specifications: Designed for use with water in residential or commercial plumbing and heating systems. Press ends will leak if left unpressed. Press XLC grip ring is a zinc coated manganese steel providing corrosion protection and extra durability. 4" model does not meet ASME B16.51.

REV:11/19/2024

