



PC612XLC - Pro-Connect Press - XLC Brass Tees

PC612XLC Series

Forged DZR Brass Tee

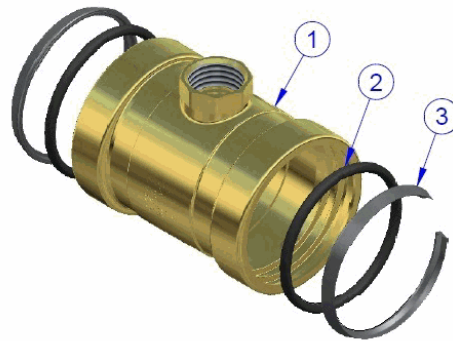
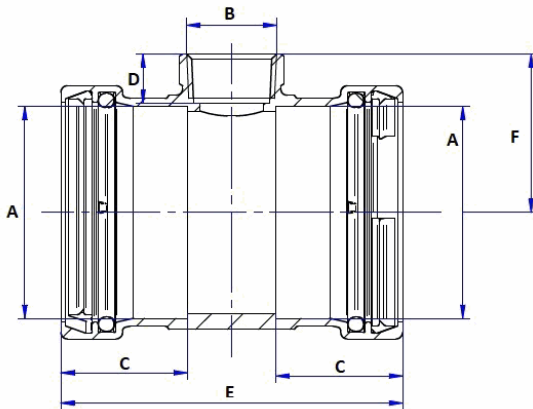
Certifications

Certified to NSF/ANSI 61 & 372, PS117



NO.	DESCRIPTION	MATERIAL
1	Body	Lead-Free DZR Brass
2	O-ring	EPDM
3	Grip Ring	Steel

Size (in)	Item#	Weight (lbs)	CTN Qty	Case Qty	A	B	C	D	E	F		
Press x Press x FIP											300 PSI CWP Max	250°F Max
2 1/2" x 2 1/2" x 3/4"	912480XLC	1.61	1	8	2.64	2.00	1.57	0.61	4.25	1.97		
3" x 3" x 3/4"	912695XLC	2.04	1	8	3.13	0.75	1.77	0.61	4.49	2.26		
2 1/2" x 2 1/2" x 2"	912465XLC	2.42	1	8	2.64	0.75	1.57	0.77	5.51	2.17		
3" x 3" x 2"	912680XLC	2.78	1	8	3.13	2.00	1.77	0.77	5.83	2.44		
4" x 4" x 3/4"	912255XLC	3.06	1	8	4.14	0.75	2.13	0.61	5.20	2.76		
4" x 4" x 2"	912240XLC	4.29	1	8	4.14	2.00	2.13	0.77	6.46	2.95		



Specifications: Designed for use with water in residential or commercial plumbing and heating systems. Press ends will leak if left unpressed. Press XLC grip ring is a zinc coated manganese steel providing corrosion protection and extra durability. Threaded (NPT) ends comply with ANSI B1.20.1.

