

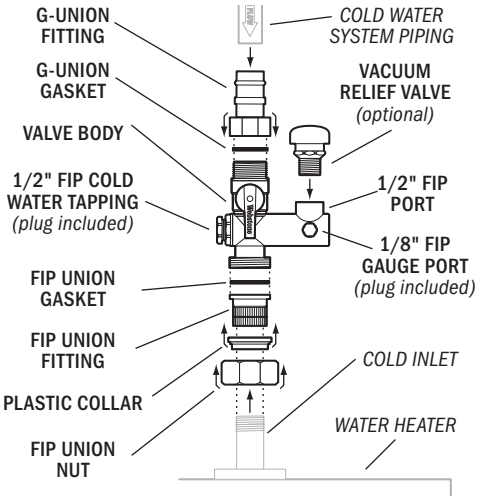
WATER HEATER SUPPLY VALVE

INSTALLATION & SERVICING INSTRUCTIONS

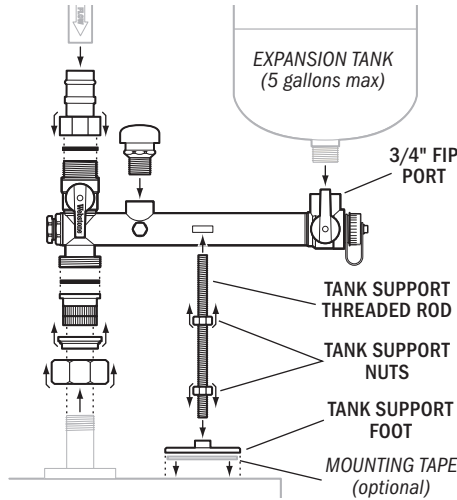
Webstone
a brand of **NIBCO**

P: (800) 225-9529
F: (800) 336-5133
www.webstonevalves.com
webstone@nibco.com

INSTALLATION (ALL MODELS)



INSTALLATION (WITH EXPANSION TANK SERVICE)



The Webstone® Water Heater Supply Valve (WHSV) saves time, space, and leak paths for water heater installations. The WHSV with Expansion Tank Service is designed for use with tanks having 3/4" connections and up to 5 gallon capacity.

IMPORTANT: Follow all federal/national, state and local codes when installing, testing, or performing work on systems. All parts are covered by a lifetime warranty against manufacturing defects provided they are installed by a licensed plumber and operated under normal working conditions. If you have any questions or comments, please contact us at (800) 225-9529 or visit us on the web at www.webstonevalves.com.

INSTALLATION (ALL MODELS)

WARNING: Components are loosely assembled. All pressure joints should be fully assembled and checked during product installation. If vacuum relief valve is not required, 1/2" FIP port should be sealed with a brass plug (included with select models).

The WHSV should be installed on the cold water inlet of a conventional tank-style water heater. Shut off water supply before installation.

Before assembly, ensure all union gaskets are in good condition and placed as shown in the diagram.

The "arm" of the WHSV should be oriented horizontally, with the 1/2" FIP port facing up. System piping must be aligned to prevent side loading of the union joints.

Apply PTFE tape to all threaded NPT connections. Union connections which contain gaskets do not require tape.

Verify handle(s) are in their normal operation position(s) and all connections are leak-free after installation is complete.

(MODELS WITH EXPANSION TANK SERVICE)

The included tank support bracket must be installed for increased stability and to avoid damage to the water heater or supply pipes. Insert threaded rod into tab on face of WHSV, and screw threaded rod into tank support foot until flush with bottom of foot. **Do not extend threaded rod below bottom of foot!**

After checking alignment to ensure threaded rod is vertical, the tank support foot may be attached to the top of the water heater with high-strength acrylic foam mounting tape. Where allowable by local jurisdiction, screws may be used instead (#10 sheet metal screws recommended).

Tighten bottom nut to top of tank support foot, and top nut to bottom of tab on the face of the WHSV until nuts are snug and installation is secure.

WATER HEATER TEMPERING VALVE CONNECTION (SOLD SEPARATELY)

The WHSV is ideal for use with the Webstone Water Heater Tempering Valve (WHTV) when used with the H-G9203W-R adapter, each sold separately, or included with select WHSV/WHTV kits. The cold water tapping and adapter replace the cold water tee included with the WHTV.

WARNING: Water in excess of 120° F can cause scalding, severe injury, or death. The installation and setup procedure in the instructions included with the Water Heater Tempering Valve must be followed IN FULL, except as noted below.

Install WHSV following the above instructions. Ensure cold water tapping is oriented to receive the flexible hose from the tempering valve. Remove plug from tapping, if installed.

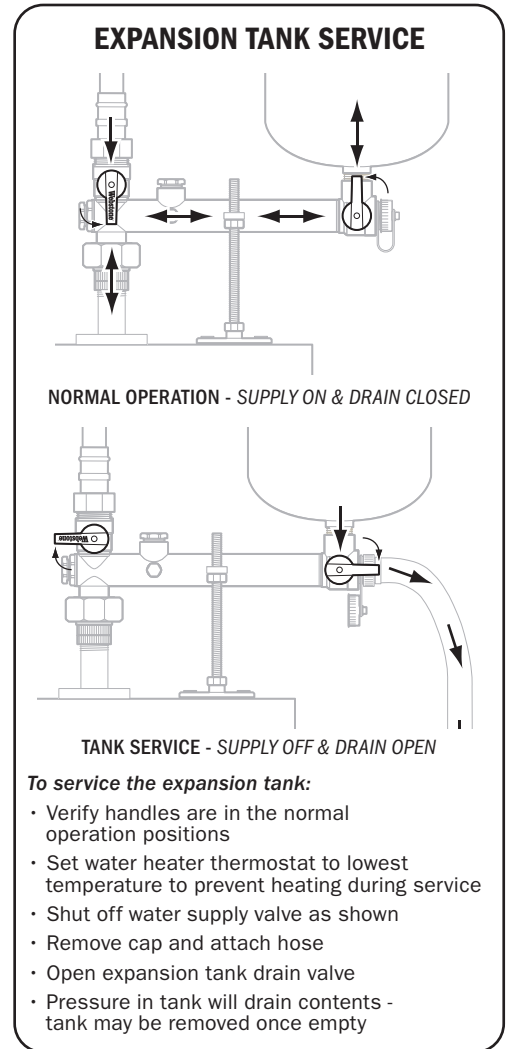
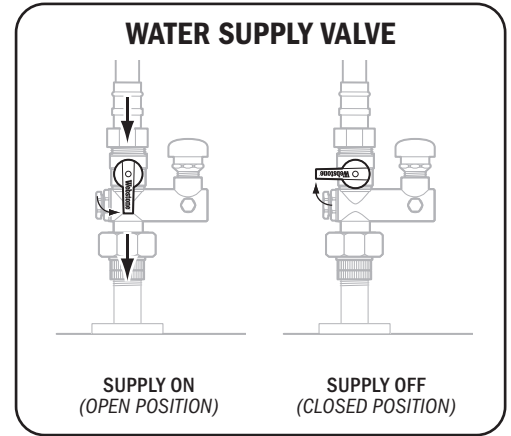
Apply PTFE tape to H-G9203W-R 1/2" MIP connection. Thread into WHSV cold water tapping.

Install WHTV following the instructions provided with the unit, forgoing use of the cold water tee.

Confirm gaskets are in both flexible hose connector nuts. Connect flexible hose to tempering valve cold inlet (marked "C" on WHTV body), then connect to H-G9203W-R adapter.

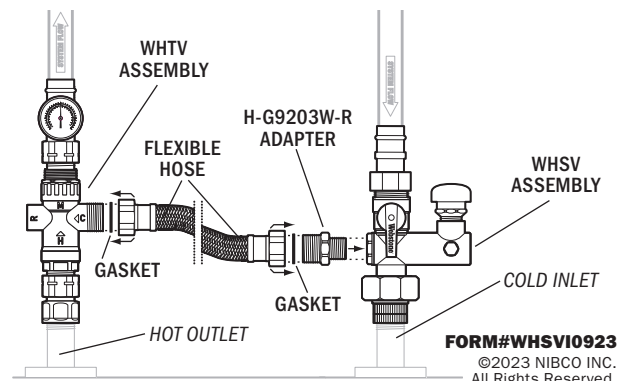
Leak check all connections. Verify the correct mixed output temperature is being achieved following the WHTV instructions.

WARNING: Cancer and Reproductive Harm - www.P65Warnings.ca.gov



To service the expansion tank:

- Verify handles are in the normal operation positions
- Set water heater thermostat to lowest temperature to prevent heating during service
- Shut off water supply valve as shown
- Remove cap and attach hose
- Open expansion tank drain valve
- Pressure in tank will drain contents - tank may be removed once empty



FORM#WHSV10923
©2023 NIBCO INC.
All Rights Reserved.