



H-G170 - Ball Valves - G-Series

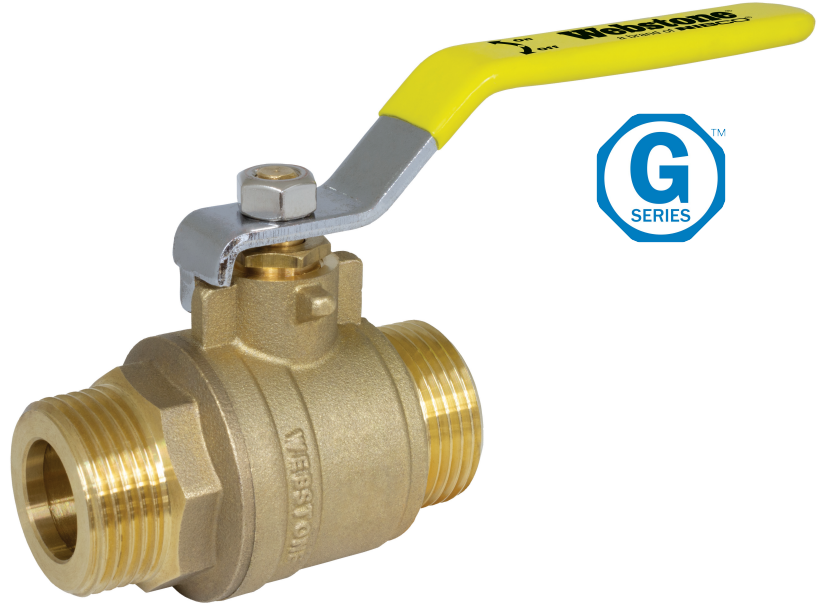
H-G170W Series

G-Series Ball Valve

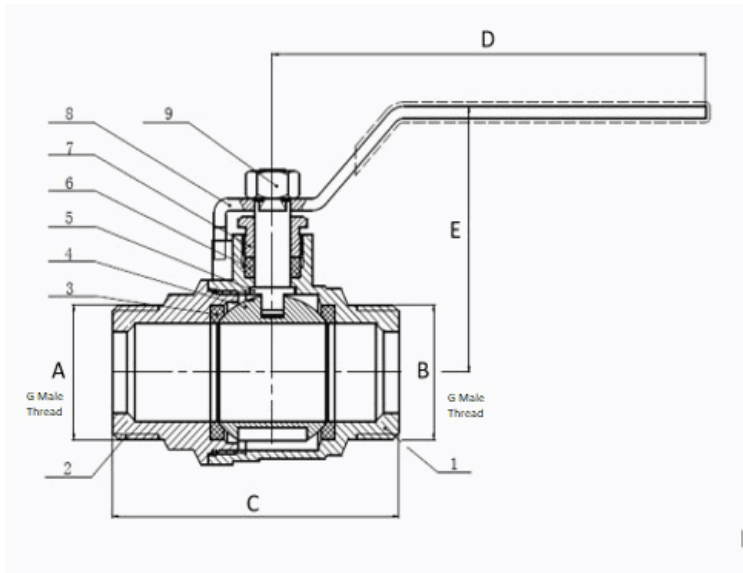
Full Flow Forged DZR Brass Ball Valve
w/ Adjustable Packing Gland
Requires (2) G-Union Fittings (Sold Separately)

Certifications

Certified to NSF/ANSI/CAN 61 & 372



Size (in)	Item#	Weight (lbs)	CTN Qty	Case Qty	A	B	C	D	E	200 PSI CWP Max	200°F Max
G-Thread											
1"	H-G1704W	1.15	1	16	1.00	1.00	2.99	4.53	2.58		
1 1/2"	H-G1706W	2.71	1	8	1.50	1.50	4.07	5.51	3.37		
1 1/2" x 1"	H-G1706W-R	1.17	1	12	1.50	1.00	2.66	4.53	2.58		
2"	H-G1707W	4.14	1	6	2.00	2.00	4.62	5.51	3.70		
2" x 1 1/2"	H-G1707W-R	2.82	1	6	2.00	1.50	4.02	5.51	3.37		



NO.	DESCRIPTION	MATERIAL
1	Body	Lead-Free DZR Brass
2	Cap	Lead-Free DZR Brass
3	Seat	PTFE
4	Ball	SS316*
5	Stem	Brass
6	Packing	PTFE
7	Packing Gland	Brass
8	Lever Handle	Steel
9	Handle Nut	Galvanized Steel

Specifications: *Ball is Brass HCP on H-G1704W & H-G1706W-R models. Designed for use with water, oil, glycol mix in residential or commercial plumbing and heating systems. G-threaded bodies require matching G-union fitting for installation.

