



H-7-G170 - Ball Valves - G-Series

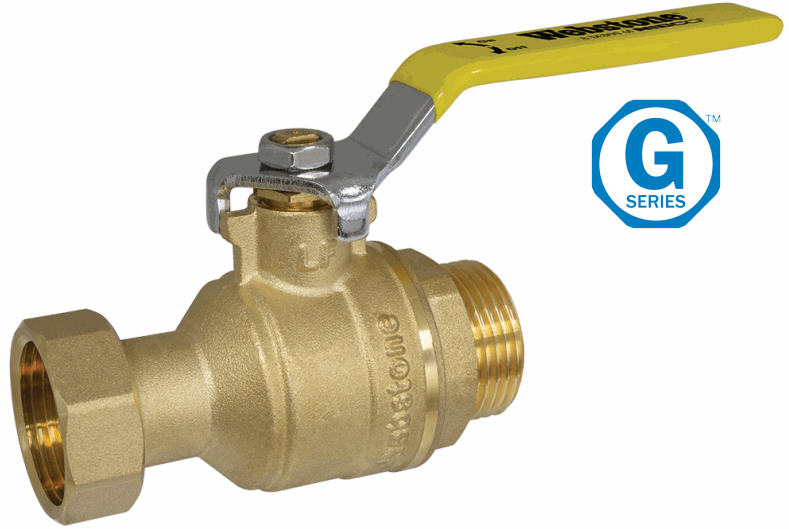
H-7-G170W Series

G-Series Isolation Valve

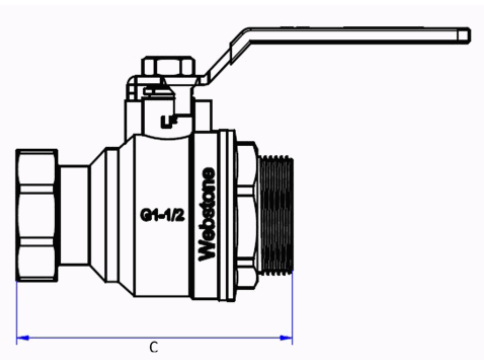
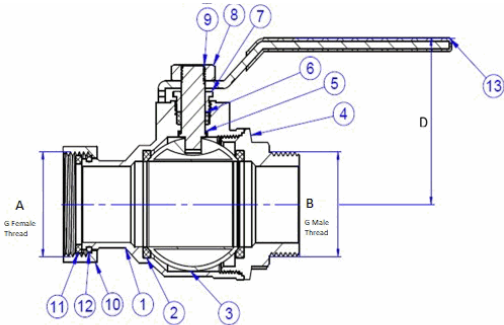
Full Flow Forged DZR Brass Ball Valve
w/ Reversible Handle
& Adjustable Packing Gland
Installs Between G-Series Body & Union Fitting
(Sold Separately)

Certifications

Certified to NSF/ANSI/CAN 61 & 372



Size (in)	Item#	Weight (lbs)	CTN Qty	Case Qty	A	B	C	D	200 PSI CWP Max	200°F Max
G-Union x G-Thread										
1"	H-7-G1704W	1.72	1	16	1.00	1.00	3.81	2.30		
1 1/2"	H-7-G1706W	3.41	1	8	1.50	1.50	4.72	2.99		
2"	H-7-G1707W	5.46	1	4	2.00	2.00	5.31	3.52		



NO.	DESCRIPTION	MATERIAL
1	Body	Lead-Free DZR Brass
2	Seat	PTFE
3	Ball	Stainless Steel*
4	Cap	Lead-Free DZR Brass
5	Gasket	PTFE
6	Packing	PTFE
7	Packing Gland	Brass
8	Handle Nut	Stainless Steel
9	Stem	Stainless Steel*
10	Union Nut	Brass
11	Gasket	EPDM
12	Lock Ring	Stainless Steel
13	Handle	Steel CP

Specifications: *Ball and stem are brass for H-7-G1704W. Designed for use with water, oil, glycol mix in residential or commercial plumbing and heating systems. G-threaded bodies require matching G-union fitting for installation.

