



H-G-x170 - Ball Valves - G-Series Transition

H-G-x170W Series

G-Series Ball Valve

Full Flow Forged DZR Brass Ball Valve
w/ Reversible Handle

& Adjustable Packing Gland

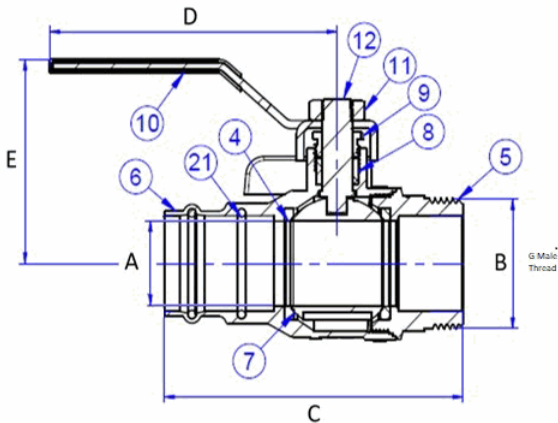
Requires (1) G-Union Fitting (Sold Separately)

Certifications

Certified to NSF/ANSI/CAN 61 & 372



Size (in)	Item#	Weight (lbs)	CTN Qty	Case Qty	A	B	C	D	200 PSI CWP Max	200°F Max
G-Thread x Press										
1"	H-G-81704W	1.71	1	16	1.00	1.00	3.98	2.29		
1" x 3/4"	H-G-81704W-R	1.30	1	16	0.75	1.00	3.73	1.92		
1" x 1/2"	H-G-81704W-R12	1.05	1	16	0.50	1.00	3.28	1.66		
1 1/2"	H-G-81706W	3.44	1	8	1.50	1.50	5.07	2.99		
1 1/2" x 1 1/4"	H-G-81706W-R	3.05	1	8	1.25	1.50	4.70	2.79		
2"	H-G-81707W	5.49	1	4	2.00	2.00	5.94	3.53		
2" x 1 1/2"	H-G-81707W-R	3.88	1	8	1.50	2.00	5.07	2.99		



NO.	DESCRIPTION	MATERIAL
1	Handle	Steel CP
2	O-Ring	EPDM
3	Body	Lead-Free DZR Brass
4	Seat	PTFE
5	Ball	Stainless Steel*
7	Gasket	PTFE
8	Packing	PTFE
9	Packing Gland	Brass
10	Handle Nut	Stainless Steel
11	Stem	Stainless Steel*
12	Cap	Lead-Free DZR Brass

Specifications: *Ball and stem are brass for H-G-81704W-R, H-G-81704W-R12, H-G-81704W. Designed for use with water, oil, glycol mix in residential or commercial plumbing and heating systems. G-threaded bodies require matching G-union fitting for installation. EPDM o-rings for press ends.

