

## H-G061 - Pro-Pal Ball Drain - G-Series

### H-G061W Series

### G-Series Ball Drain

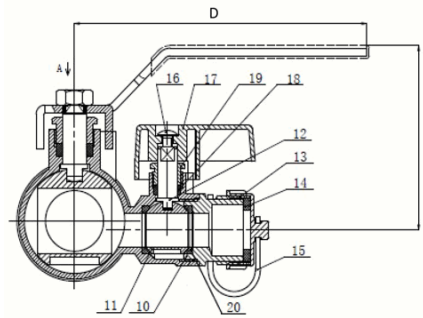
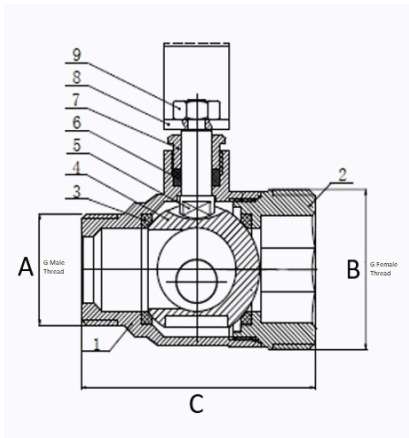
Full Flow Forged DZR Brass Ball Valve  
w/ Hi-Flow Hose Drain,  
Reversible Handle,  
& Adjustable Packing Glands  
Requires (2) G-Union Fittings (Sold Separately)

### Certifications

Certified to NSF/ANSI/CAN 61 & 372



Size (in)	Item#	Weight (lbs)	CTN Qty	Case Qty	A	B	C	D	E		
<b>G-Thread</b>										<b>200 PSI CWP Max</b>	<b>200°F Max</b>
1"	H-G0614W	1.59	1	16	1.00	1.00	3.17	4.65	2.81		
1 1/2"	H-G0616W	3.46	1	6	1.50	1.50	3.95	5.51	3.49		
1 1/2" x 1"	H-G0616W-R	1.64	1	12	1.50	1.00	3.51	5.51	3.49		
2"	H-G0617W	4.92	1	4	2.00	2.00	4.61	5.51	3.89		
2" x 1 1/2"	H-G0617W-R	3.40	1	6	2.00	1.50	3.51	5.51	3.49		



NO.	DESCRIPTION	MATERIAL
1	Body	Lead-Free DZR Brass
2	Cap	Lead-Free DZR Brass
3	Seat	PTFE
4	Ball	Brass HCP
5	Stem	Brass
6	Packing	PTFE
7	Packing Gland	Brass
8	Lever Handle	Steel
9	Handle Nut	Galvanized Steel
10	Cap	Lead-Free DZR Brass
11	Ball	Brass HCP
12	Stem	Brass
13	Cap	Brass
14	Gasket	EPDM
15	Strap	PVC
16	Handle Screw	Steel CP
17	Handle	Aluminum
18	Packing	PTFE
19	Packing Gland	Brass
20	Seat	PTFE

Specifications: Designed for use with water, oil, glycol mix in residential or commercial plumbing and heating systems. G-threaded bodies require matching G-union fitting for installation.

