



## H-G-x061 - Pro-Pal Ball Drain - G-Series Transition

### H-G-x061W Series

#### G-Series Ball Drain

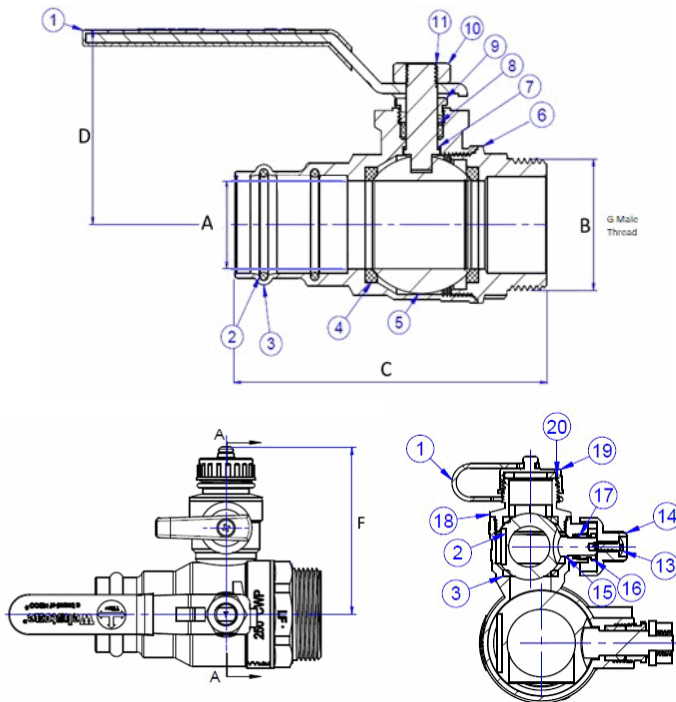
Full Flow Forged DZR Brass Ball Valve  
w/ Hi-Flow Hose Drain,  
Reversible Handle,  
& Adjustable Packing Glands  
Requires (1) G-Union Fitting (Sold Separately)

#### Certifications

Certified to NSF/ANSI/CAN 61 & 372



Size (in)	Item#	Weight (lbs)	CTN Qty	Case Qty	A	B	C	D	E	F		
<b>G-Thread x Press</b>											<b>200 PSI CWP Max</b>	<b>200°F Max</b>
1" x 1/2"	H-G-80612W	1.44	1	16	0.50	1.00	3.28	3.42	2.30	2.98		
1" x 3/4"	H-G-80613W	1.67	1	16	0.75	1.00	3.68	3.39	2.59	2.89		
1"	H-G-80614W	2.16	1	8	1.00	1.00	4.17	4.67	2.63	3.06		
1 1/2"	H-G-80616W	4.46	1	4	1.25	1.50	5.08	5.63	3.21	3.35		
1 1/2" x 1 1/4"	H-G-80616W-R	3.47	1	8	1.50	1.50	4.63	4.45	2.96	3.43		
2"	H-G-80617W	6.46	1	4	2.00	2.00	6.02	5.63	3.63	3.74		



NO.	DESCRIPTION	MATERIAL
1	Strap	PVC
2	Ball	Brass HCP
3	Seat	PTFE
4	Seat	PTFE
5	Cap	Lead-Free DZR Brass
6	Body	Lead-Free DZR Brass
7	Ball	Brass HCP
8	Packing	PTFE
9	Packing Gland	Brass
10	Handle	Steel CP
11	Handle Nut	Stainless Steel
12	Stem	Brass
13	Handle Screw	Stainless Steel
14	Handle	Aluminum
15	Stem	Lead-Free DZR Brass
16	Packing Gland	Brass
17	Packing	PTFE
18	Cap	Lead-Free DZR Brass
19	Drain Cap	Lead-Free DZR Brass
20	Drain Cap Gasket	EPDM
21	O-Ring	EPDM

Specifications: Designed for use with water, oil, glycol mix in residential or commercial plumbing and heating systems. G-threaded bodies require matching G-union fitting for installation. EPDM o-rings for press ends.

