



H-7-x10 - G Series - Union Connections

H-7-x10W Series

G-Series Union Fitting

Forged DZR Brass



Certifications

Certified to NSF/ANSI/CAN 61 & 372



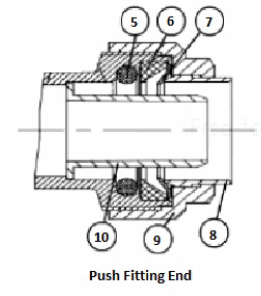
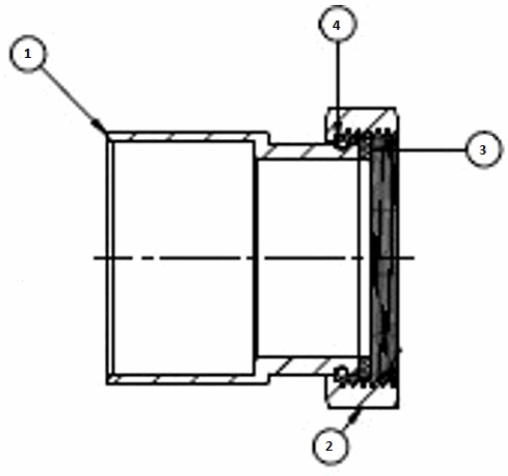
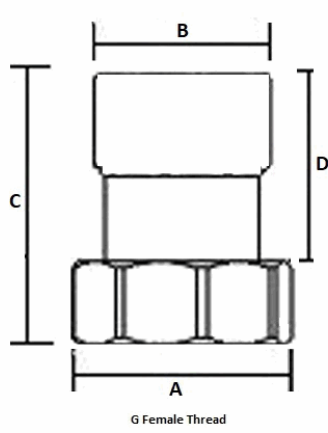
Size (in)	Item#	Weight (lbs)	CTN Qty	Case Qty	A	B	C	D		
G-Union x F1807 PEX									200 PSI CWP Max	200°F Max
1" x 1/2"	H-7-1102W WP	0.27	10	100	1.00	0.50	1.96	1.37		
1" x 3/4"	H-7-1103W WP	0.27	10	100	1.00	0.75	1.96	1.37		
1"	H-7-1104W WP	0.26	10	100	1.00	1.00	2.13	1.55		
G-Union x F1960 PEX									200 PSI CWP Max	200°F Max
1" x 1/2"	H-7-3102W WP	0.28	10	100	1.00	0.50	2.01	1.42		
1" x 3/4"	H-7-3103W WP	0.30	10	100	1.00	0.75	2.25	1.66		
1"	H-7-3104W WP	0.32	10	100	1.00	1.00	2.44	1.86		
G-Union x FIP									200 PSI CWP Max	200°F Max
1" x 1/2"	H-7-2102W WP	0.32	10	100	1.00	0.50	1.95	1.36		
1" x 3/4"	H-7-2103W WP	0.33	10	100	1.00	0.75	1.90	1.31		
1"	H-7-2104W WP	0.42	10	100	1.00	1.00	1.96	1.37		
1 1/2" x 1"	H-7-2164W WP	0.53	6	60	1.50	1.00	1.28	0.61		
1 1/2" x 1 1/4"	H-7-2165W WP	0.65	6	60	1.50	1.25	2.09	1.42		
1 1/2"	H-7-2166W WP	0.74	6	60	1.50	1.50	2.17	1.50		
2"	H-7-2177W WP	1.03	4	32	2.00	2.00	2.22	1.55		
G-Union x MIP									200 PSI CWP Max	200°F Max
1" x 1/2"	H-7-4102W WP	0.34	10	100	1.00	0.50	2.06	1.47		
1" x 3/4"	H-7-4103W WP	0.35	10	100	1.00	0.75	2.05	1.46		
1"	H-7-4104W WP	0.38	10	100	1.00	1.00	2.09	1.50		
1 1/2" x 1"	H-7-4164W WP	0.44	6	60	1.50	1.00	1.77	1.10		
1 1/2" x 1 1/4"	H-7-4165W WP	0.63	6	60	1.50	1.25	2.28	1.61		
1 1/2"	H-7-4166W WP	0.74	6	60	1.50	1.50	2.34	1.67		
2"	H-7-4177W WP	1.06	4	32	2.00	2.00	2.53	1.86		



G-Union x Press									200 PSI CWP Max	200°F Max
1" x 1/2"	H-7-8102W WP	0.34	10	100	1.00	0.50	2.67	2.07		
1" x 3/4"	H-7-8103W WP	0.38	10	100	1.00	0.75	2.83	2.24		
1"	H-7-8104W WP	0.42	10	100	1.00	1.00	2.83	2.24		
1 1/2" x 1"	H-7-8164W WP	0.48	6	60	1.50	1.00	2.13	1.46		
1 1/2" x 1 1/4"	H-7-8165W WP	0.64	4	40	1.50	1.25	2.69	2.02		
1 1/2"	H-7-8166W WP	0.91	4	40	1.50	1.50	3.22	2.55		
2"	H-7-8177W WP	1.17	4	32	2.00	2.00	3.44	2.77		

G-Union x Push									200 PSI CWP Max	200°F Max
1" x 1/2"	H-7-6102W WP	0.29	10	100	1.00	0.50	2.11	1.52		
1" x 3/4"	H-7-6103W WP	0.33	10	100	1.00	0.75	2.26	1.67		

G-Union x SWT									200 PSI CWP Max	200°F Max
1" x 1/2"	H-7-5102W WP	0.27	10	100	1.00	0.50	1.85	1.26		
1" x 3/4"	H-7-5103W WP	0.28	10	100	1.00	0.75	2.09	1.50		
1"	H-7-5104W WP	0.32	10	100	1.00	1.00	2.20	1.61		
1 1/2" x 1"	H-7-5164W WP	0.37	6	60	1.50	1.00	1.50	0.83		
1 1/2" x 1 1/4"	H-7-5165W WP	0.36	8	80	1.50	1.25	1.51	0.84		
1 1/2"	H-7-5166W WP	0.58	6	60	1.50	1.50	2.43	1.76		
2"	H-7-5177W WP	0.83	4	32	2.00	2.00	2.67	2.00		



Specifications: Designed for use with water, oil, glycol mix in residential or commercial plumbing and heating systems. Threaded (NPT) ends comply with ANSI B1.20.1. Solder joint temperature ratings are per ASME B16.18 Annex A for 95-5 solder. Do not silver braze or overheat valves when soldering. G-threaded products require matching body/fitting for installation. EPDM o-rings for press ends. PEX ends are in accordance with the referenced ASTM specification; refer to tubing manufacturer for installation instructions. Push ends suitable for use with copper, CPCV or PEX tubing and feature a fully removable grip assembly.

NO.	DESCRIPTION	MATERIAL
1	Body	Lead-Free DZR Brass
2	Union Nut	Brass
3	Gasket	EPDM
4	Retaining Ring	Stainless Steel
5	O-Ring	EPDM
6	Protector	Plastic
7	Grip Ring	Stainless Steel
8	Release Collar	Plastic
9	Nut	Brass
10	Inner Lining	Plastic

