



H-7-x30 - G Series - Pressure Gauge Fittings

H-7-x30W-140 Series

G-Series Pressure Gauge Fitting

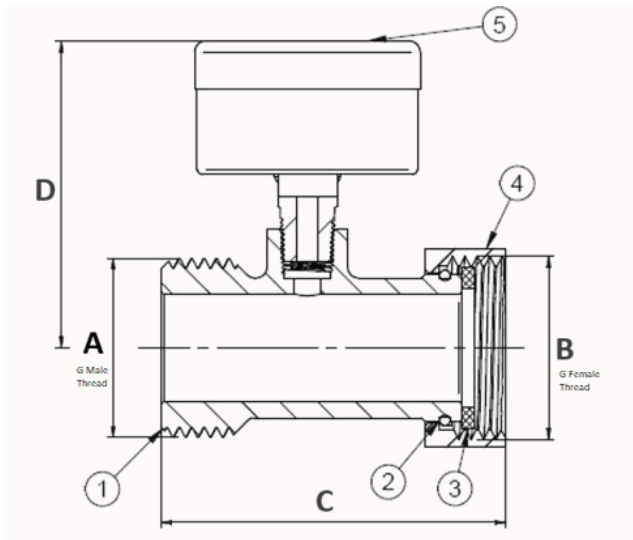
Forged DZR Brass Union Fitting
w/ Back Mounted Pressure Gauge (140 PSI Max)
Installs Between G-Series Body & Union Fitting
(Sold Separately)

Certifications

Certified to NSF/ANSI/CAN 61 & 372



Size (in)	Item#	Weight (lbs)	CTN Qty	Case Qty	A	B	C	D	140 PSI CWP Max	200°F Max
G-Union x G-Thread										
1"	H-7-G304W-140	0.54	1	18	1.00	1.00	2.50	2.25		
1 1/2"	H-7-G306W-140	0.81	1	10	1.50	1.50	2.75	2.50		



NO.	DESCRIPTION	MATERIAL
1	Body	Lead-Free DZR Brass
2	Retaining Ring	Stainless Steel
3	Gasket	EPDM
4	Union	Brass
5	Pressure Gauge	Stainless Steel

Specifications: Designed for use with water, oil, glycol mix in residential or commercial plumbing and heating systems.
G-threaded bodies require matching G-union fitting for installation.





H-7-x30 - G Series - Pressure Gauge Fittings

H-7-x30W-60 Series

G-Series Pressure Gauge Fitting

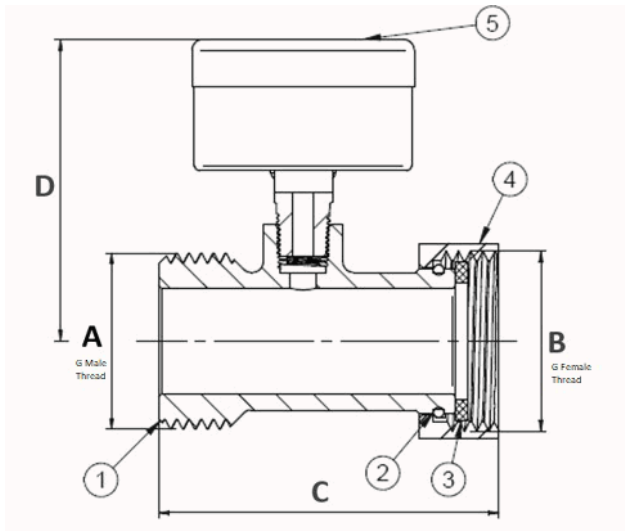
Forged DZR Brass Union Fitting
w/ Back Mounted Pressure Gauge (60 PSI Max)
Installs Between G-Series Body & Union Fitting
(Sold Separately)

Certifications

Certified to NSF/ANSI/CAN 61 & 372



Size (in)	Item#	Weight (lbs)	CTN Qty	Case Qty	A	B	C	D	60 PSI CWP Max	200°F Max
G-Union x G-Thread										
1"	H-7-G304W-60	0.54	1	18	1.00	1.00	2.50	2.25		
1 1/2"	H-7-G306W-60	0.81	1	10	1.50	1.50	2.75	2.50		



NO.	DESCRIPTION	MATERIAL
1	Body	Lead-Free DZR Brass
2	Retaining Ring	Stainless Steel
3	Gasket	EPDM
4	Union	Brass
5	Pressure Gauge	Stainless Steel

Specifications: Designed for use with water, oil, glycol mix in residential or commercial plumbing and heating systems. G-threaded bodies require matching G-union fitting for installation.

