



## H-7-710 - G Series - Union Couplings

### H-7-710W Series

### G-Series Union Coupling

Forged DZR Brass

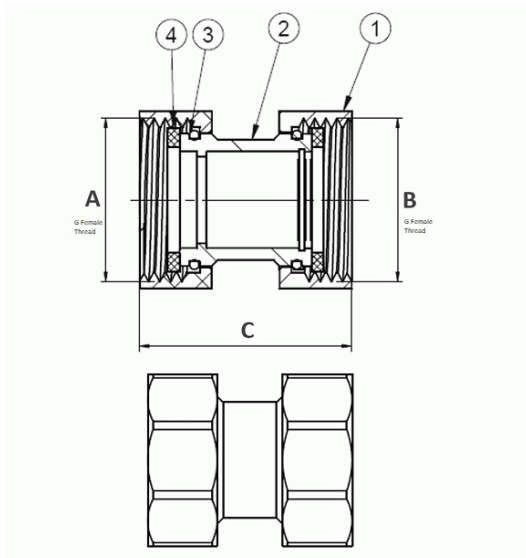
Installs Between (2) G-Series Bodies  
(Sold Separately)

### Certifications

Certified to NSF/ANSI/CAN 61 & 372



Size (in)	Item#	Weight (lbs)	CTN Qty	Case Qty	A	B	C		
<b>G-Union</b>								<b>200 PSI CWP Max</b>	<b>200°F Max</b>
1"	H-7-7104W	0.32	10	100	1.00	1.00	1.75		
1 1/2"	H-7-7106W	0.65	4	40	1.50	1.50	2.00		
1 1/2" x 1"	H-7-7106W-R1	0.49	6	60	1.50	1.00	1.75		
2"	H-7-7107W	0.93	3	30	2.00	2.00	2.00		
2" x 1 1/2"	H-7-7107W-R	0.82	3	30	2.00	1.50	2.00		



NO.	DESCRIPTION	MATERIAL
1	Union	Brass
2	Body	Lead-Free DZR Brass
3	Retaining Ring	Stainless Steel
4	Gasket	EPDM

Specifications: Designed for use with water, oil, glycol mix in residential or commercial plumbing and heating systems.  
-threaded products require matching body/fitting for installation.

