



H-7-x60 - G Series - End Caps

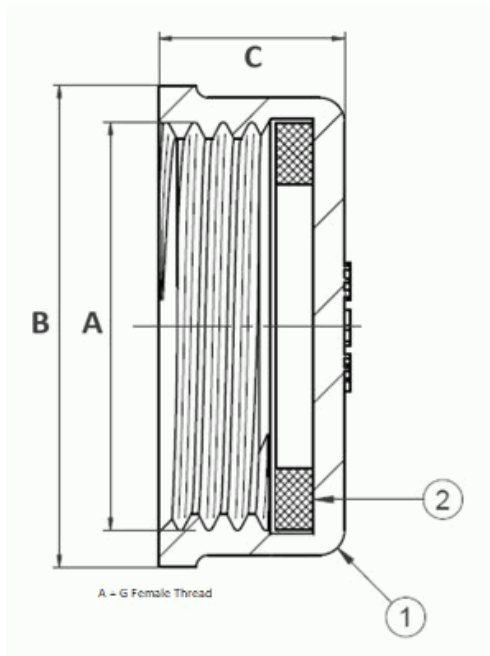
H-7-x60W Series
G-Series End Cap
 Forged DZR Brass



Certifications
 Certified to NSF/ANSI/CAN 61 & 372



Size (in)	Item#	Weight (lbs)	CTN Qty	Case Qty	A	B	C		
								200 PSI CWP Max	200°F Max
G-Thread									
1"	H-7-B604W	0.12	15	150	1.00	1.54	0.59		
1 1/2"	H-7-B606W	0.25	10	100	1.50	2.17	0.67		
2"	H-7-B607W	0.33	8	80	2.00	2.64	0.67		



NO.	DESCRIPTION	MATERIAL
1	Cap	Lead-Free DZR Brass
2	Gasket	EPDM

Specifications: Designed for use with water, oil, glycol mix in residential or commercial plumbing and heating systems. G-threaded bodies require matching G-union fitting for installation.

