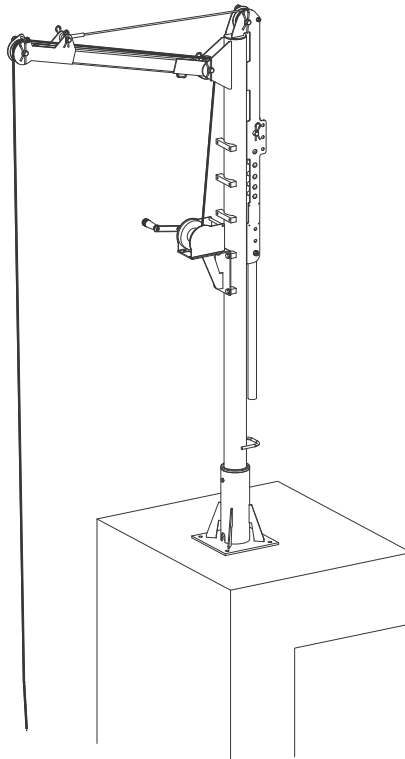


Cranes for mixers, flowmakers and recirculation pumps

Safety instructions and other important information



QR96882862 Installation and operating instructions

<http://net.grundfos.com/qr/i/96882862>

English (GB) Safety instructions

Original safety instructions

These safety instructions give a quick overview of the safety precautions to be taken in connection with any work on this product.

Observe these safety instructions during handling, installation, operation, maintenance, service and repair of this product.

These safety instructions are a supplementary document, and all safety instructions will appear again in the relevant sections of the installation and operating instructions.

Keep these safety instructions at the installation site for future reference.

General safety instructions



- Do not use cranes
- for continuous operation
 - at building sites (BGV D7)
 - on stages or in studios (BGV C1).

DANGER



Overhead load

- Death or serious personal injury
- Do not stand under a suspended load.
 - Do not lift loads that may start swinging.

CAUTION



Crushing hazard

- Minor or moderate personal injury
- Do not use the crane for lifting or transporting people (ZH 1 / 461).
 - Do not lift a load in a diagonal pull.
 - Do not lift a load for an unnecessarily long period of time.

Installing the product



Crane installation must be carried out by specially trained persons.



Do not use the chemical anchors in a chloric environment.



Always use only original Grundfos lifting wires.



At least three turns of wire must always remain on the drum and be marked with colour. The wire must be wound under pretension. Make sure that the wire is wound evenly.

Handling and storing the product



Before every use, check that the winch and the crane operate flawlessly.

CAUTION



Crushing hazard

- Minor or moderate personal injury
- Only relocate the crane boom when it is unloaded.

CAUTION



Crushing hazard

- Minor or moderate personal injury
- Only relocate the winch when it is unloaded.

DANGER



Overhead load

- Death or serious personal injury
- Do not stand under a suspended load.

Do not



- wind the lifting wire in the opposite direction as this will cause the brake to fail
- leave the crane unattended when children or untrained persons can reach the winch
- use the winch together with a motor
- dismantle or replace the winch
- exceed the maximum load
- use a damaged wire
- load the crane until the foot has been fixed correctly.

CAUTION



Sharp element

- Minor or moderate personal injury
- Protect yourself from injuries caused by salient wire strings.

Servicing the product



The crane, winch and wires must be checked at least once a year.



The crane must be unloaded before you carry out maintenance or service work.



Do not operate the winch in case of damaged load in the hook or wire.



Do not grease the braking system.

Declaration of conformity

GB: EC/EU declaration of conformity

We, Grundfos, declare under our sole responsibility that the products Cranes for mixers, flowmakers and recirculation pumps, to which the declaration below relates, are in conformity with the Council Directives listed below on the approximation of the laws of the EC/EU member states.

CZ: Prohlášení o shodě EU

My firma Grundfos prohlašujeme na svou plnou odpovědnost, že výrobky Cranes for mixers, flowmakers and recirculation pumps, na které se toto prohlášení vztahuje, jsou v souladu s níže uvedenými ustanoveními směrnice Rady pro sblížení právních předpisů členských států Evropského společenství.

DK: EF-/EU-overensstemmelseserklæring

Vi, Grundfos, erklærer under ansvar at produkterne Cranes for mixers, flowmakers and recirculation pumps som erklæringen nedenfor omhandler, er i overensstemmelse med Rådets direktiver der er nævnt nedenfor, om indbyrdes tilnærmelse til EF-/EU-medlemsstaternes lovgivning.

ES: Declaración de conformidad de la CE/UE

Grundfos declara, bajo su exclusiva responsabilidad, que los productos Cranes for mixers, flowmakers and recirculation pumps a los que hace referencia la siguiente declaración cumplen lo establecido por las siguientes Directivas del Consejo sobre la aproximación de las legislaciones de los Estados miembros de la CE/UE.

FR: Déclaration de conformité CE/UE

Nous, Grundfos, déclarons sous notre seule responsabilité, que les produits Cranes for mixers, flowmakers and recirculation pumps, auxquels se réfère cette déclaration, sont conformes aux Directives du Conseil concernant le rapprochement des législations des États membres CE/UE relatives aux normes énoncées ci-dessous.

HR: EC/EU deklaracija sukladnosti

Mi, Grundfos, izjavljujemo s punom odgovornošću da su proizvodi Cranes for mixers, flowmakers and recirculation pumps, na koja se izjava odnosi u nastavku, u skladu s dolje navedenim direktivama Vijeća o uskladjivanju zakona država članica EC/UE-a.

IT: Dichiarazione di conformità CE/UE

Grundfos dichiara sotto la sua esclusiva responsabilità che i prodotti Cranes for mixers, flowmakers and recirculation pumps, ai quali si riferisce questa dichiarazione, sono conformi alle seguenti direttive del Consiglio riguardanti il riavvicinamento delle legislazioni degli Stati membri CE/UE.

LV: EK/ES atbilstības deklarācija

Sabiedrība Grundfos ar pilnu atbildību paziņo, ka produkti Cranes for mixers, flowmakers and recirculation pumps, uz kuru attiecas tālāk redzamā deklarācija, atbilst tālāk norādītajām Padomes direktīvām par EK/ES dalībvalstu normatīvo aktu tuvināšanu.

PL: Deklaracja zgodności WE/UE

My, Grundfos, oświadczamy z pełną odpowiedzialnością, że nasze produkty Cranes for mixers, flowmakers and recirculation pumps, których deklaracja niniejsza dotyczy, są zgodne z następującymi dyrektywami Rady w sprawie zbliżenia przepisów prawnych państw członkowskich.

RO: Declarația de conformitate CE/UE

Noi Grundfos declarăm pe propria răspundere că produsele Cranes for mixers, flowmakers and recirculation pumps, la care se referă această declarație, sunt în conformitate cu Directivele de Consiliu specificate mai jos privind armonizarea legilor statelor membre CE/UE.

RU: Декларация о соответствии нормам ЕЭС/ЕС

Мы, компания Grundfos, со всей ответственностью заявляем, что изделия Cranes for mixers, flowmakers and recirculation pumps, к которым относится нижеприведённая декларация, соответствуют нижеприведённым Директивам Совета Евросоюза о тождественности законов стран-членов ЕЭС/ЕС.

BG: Декларация за съответствие на ЕС/ЕО

Ние, фирма Grundfos, заявяваме с пълна отговорност, че продуктите Cranes for mixers, flowmakers and recirculation pumps, за които се отнася настоящата декларация, отговарят на следните директиви на Съвета за уеднавяване на правните разпоредби на държавите-членки на ЕС/ЕО.

DE: EG-/EU-Konformitätserklärung

Wir, Grundfos, erklären in alleiniger Verantwortung, dass die Produkte Cranes for mixers, flowmakers and recirculation pumps, auf die sich diese Erklärung bezieht, mit den folgenden Richtlinien des Rates zur Angleichung der Rechtsvorschriften der EG-/EU-Mitgliedsstaaten übereinstimmen.

EE: EÜ/ELi vastavusdeklaratsioon

Meie, Grundfos, kinnitame ja kanname ainuisikulist vastutust selle eest, et toode Cranes for mixers, flowmakers and recirculation pumps, mille kohta all olev deklaratsioon käib, on kooskõlas Nõukogu Direktiividega, mis on nimetatud all pool vastavalt vastuvõetud õigusaktidele ühtlustamise kohta EÜ/EL liikmesriikides.

FI: EY-/EU-vaatimustenmukaisuusvakuutus

Grundfos vakuuttaa omalla vastuullaan, että tuotteet Cranes for mixers, flowmakers and recirculation pumps, joita tämä vakuutus koskee, ovat EY-/EU:n jäsenvaltioiden lainsäädännön lähentämiseen tähtäävien Euroopan neuvoston direktiivien vaatimusten mukaisia seuraavasti.

GR: Δήλωση συμμόρφωσης ΕΚ/ΕΕ

Εμείς, η Grundfos, δηλώνουμε με αποκλειστικό δική μας ευθύνη ότι τα προϊόντα Cranes for mixers, flowmakers and recirculation pumps, στα οποία αναφέρεται η παρακάτω δήλωση, συμμορφώνονται με τις παρακάτω Οδηγίες του Συμβουλίου περί προσέγγισης των νομοθεσιών των κρατών μελών της ΕΚ/ΕΕ.

HU: EC/EU megfeleléségi nyilatkozat

Mi, Grundfos, vállaljuk, teljes felelősséggel kijelentjük, hogy a(z) Cranes for mixers, flowmakers and recirculation pumps termék, amelyre az alábbi nyilatkozat vonatkozik, megfelelnek az Európai Unió tagállamainak jogi irányelveit összehangoló tanács alábbi előírásainak.

LT: EB/ES atitikties deklaracija

Mes, Grundfos, su visa atsakomybe pareiškiame, kad produktai Cranes for mixers, flowmakers and recirculation pumps, kuriems skirta ši deklaracija, atitinka Žemiau nurodytas Tarybos Direktyvas dėl EB/ES šalių narių įstatymų suderinimo.

NL: EG-/EU-conformiteitsverklaring

Wij, Grundfos, verklaren geheel onder eigen verantwoordelijkheid dat de producten Cranes for mixers, flowmakers and recirculation pumps, waarop de onderstaande verklaring betrekking heeft, in overeenstemming zijn met de onderstaande Richtlijnen van de Raad inzake de onderlinge aanpassing van de wetgeving van de EG-/EU-lidstaten.

PT: Declaração de conformidade CE/UE

A Grundfos declara sob sua única responsabilidade que os produtos Cranes for mixers, flowmakers and recirculation pumps, aos quais diz respeito a declaração abaixo, estão em conformidade com as Directivas do Conselho sobre a aproximação das legislações dos Estados Membros da CE/UE.

RS: Deklaracija o uskladenosti EC/UE

Mi, kompanija Grundfos, izjavljujemo pod punom vlastitom odgovornošću da je proizvod Cranes for mixers, flowmakers and recirculation pumps, na koji se odnosi deklaracija ispod, u skladu sa dole prikazanim direktivama Saveta za uskladjivanje zakona država članica EC/UE.

SE: EG-/EU-försäkran om överensstämmelse

Vi, Grundfos, försäkrar under ansvar att produkterna Cranes for mixers, flowmakers and recirculation pumps, som omfattas av nedanstående försäkran, är i överensstämmelse med de rådsdirektiv om inbördes närmande till EG-/EU-medlemsstaternas lagstiftning som listas nedan.

SI: Izjava o skladnosti ES/EU

V Grundfosu s polno odgovornostjo izjavljamo, da je izdelek Cranes for mixers, flowmakers and recirculation pumps, na katerega se spodnja izjava nanaša, v skladu s spodnjimi direktivami Sveta o približevanju zakonodaje za izenačevanje pravnih predpisov držav članic ES/EU.

TR: EC/AB uygunluk bildirgesi

Grundfos olarak, aşağıdaki bildirim konusu olan Cranes for mixers, flowmakers and recirculation pumps ürünlerinin, EC/AB Üye ülkelerinin direktiflerinin yakınlştırılmasıyla ilgili durumun aşağıdaki Konsey Direktifleriyle uyumlu olduğunu ve bununla ilgili olarak tüm sorumluluğun bize ait olduğunu beyan ederiz.

CN: 欧盟符合性声明

我们，格兰富，在我们的全权责任下声明，产品 Cranes for mixers, flowmakers and recirculation pumps 系列，其制造和性能完全符合以下所列欧盟委员会指令。

AR: إقرار مطابقة الاتحاد الأوروبي (EC/EU)

نقر نحن، جرونډفوس، بمقتضى مسؤوليتنا الفردية بأن المنتجين Cranes for mixers, flowmakers and recirculation pumps، اللذين نأيدقنهم بهما الإقرار أدناه، يكرمان مطابقتهم لتوجيهات المجلس المذكورة أد بشأن التقريب بين قوانين الدول أعضاء الاتحاد الأوروبي (EC/EU).

SK: EC/EU vyhlásenie o zhode

My, spoločnosť Grundfos, vyhlasujeme na svoju plnú zodpovednosť, že produkty Cranes for mixers, flowmakers and recirculation pumps na ktoré sa vyhlásenie uvedené nižšie vzťahuje, sú v súlade s ustanoveniami nižšie uvedených smerníc Rady pre zblíženie právnych predpisov členských štátov EC/EU.

UA: Декларація відповідності директивам EC/EU

Ми, компанія Grundfos, під нашу одноосібну відповідальність заявляємо, що вироби Cranes for mixers, flowmakers and recirculation pumps, до яких відноситься нижченаведена декларація, відповідають директивам EC/EU, переліченим нижче, щодо тотожності законів країн-членів EC.

KO: EC/EU 적합성 선언

Grundfos는 아래의 선언과 관련된 Cranes for mixers, flowmakers and recirculation pumps 제품이 EU 회원국 법률에 기반하여 아래의 이사회 지침을 준수함을 단독 책임 하에 선언합니다.

- Machinery Directive (2006/42/EC)
Standard used: EN ISO 12100:2010
- RoHS Directives (2011/65/EU and 2015/863/EU).
Standard used: EN 50581:2012

This EC/EU declaration of conformity is only valid when published as part of the Grundfos safety instructions (publication number 99252703).

Székesfehérvár, 30 April 2019



Róbert Kis
Senior Manager
WWL Program Engineering
GRUNDFOS Holding A/S
Poul Due Jensens Vej 7
DK-8850 Bjerringbro, Denmark

Person authorised to compile the technical file and empowered to sign the EC/EU declaration of conformity.

Argentina

Bombas GRUNDFOS de Argentina S.A.
Ruta Panamericana km. 37.500 Centro
Industrial Garin
1619 Garin Pcia. de B.A.
Phone: +54-3327 414 444
Telefax: +54-3327 45 3190

Australia

GRUNDFOS Pumps Pty. Ltd.
P.O. Box 2040
Regency Park
South Australia 5942
Phone: +61-8-8461-4611
Telefax: +61-8-8340 0155

Austria

GRUNDFOS Pumpen Vertrieb
Ges.m.b.H.
Grundfosstraße 2
A-5082 Grödig/Salzburg
Tel.: +43-6246-883-0
Telefax: +43-6246-883-30

Belgium

N.V. GRUNDFOS Bellux S.A.
Boomsesteenweg 81-83
B-2630 Aartselaar
Tél.: +32-3-870 7300
Télécopie: +32-3-870 7301

Belarus

Представительство ГРУНДФОС в
Минске
220125, Минск
ул. Шафарнянская, 11, оф. 56, БЦ
«Порт»
Тел.: +7 (375 17) 286 39 72/73
Факс: +7 (375 17) 286 39 71
E-mail: minsk@grundfos.com

Bosnia and Herzegovina

GRUNDFOS Sarajevo
Zmaja od Bosne 7-7A,
BH-71000 Sarajevo
Phone: +387 33 592 480
Telefax: +387 33 590 465
www.ba.grundfos.com
e-mail: grundfos@bih.net.ba

Brazil

BOMBAS GRUNDFOS DO BRASIL
Av. Humberto de Alencar Castelo
Branco, 630
CEP 09850 - 300
São Bernardo do Campo - SP
Phone: +55-11 4393 5533
Telefax: +55-11 4343 5015

Bulgaria

Grundfos Bulgaria EOOD
Slatina District
Iztochna Tangenta street no. 100
BG - 1592 Sofia
Tel. +359 2 49 22 200
Fax. +359 2 49 22 201
email: bulgaria@grundfos.bg

Canada

GRUNDFOS Canada Inc.
2941 Brighton Road
Oakville, Ontario
L6H 6C9
Phone: +1-905 829 9533
Telefax: +1-905 829 9512

China

GRUNDFOS Pumps (Shanghai) Co. Ltd.
10F The Hub, No. 33 Suhong Road
Minhang District
Shanghai 201106
PRC
Phone: +86 21 612 252 22
Telefax: +86 21 612 253 33

COLOMBIA

GRUNDFOS Colombia S.A.S.
Km 1.5 vía Siberia-Cota Conj. Potrero
Chico,
Parque Empresarial Arcos de Cota Bod.
1A.
Cota, Cundinamarca
Phone: +57(1)-2913444
Telefax: +57(1)-8764586

Croatia

GRUNDFOS CROATIA d.o.o.
Buzinski prilaz 38, Buzin
HR-10010 Zagreb
Phone: +385 1 6595 400
Telefax: +385 1 6595 499
www.hr.grundfos.com

GRUNDFOS Sales Czechia and Slovakia s.r.o.

Čajkovského 21
779 00 Olomouc
Phone: +420-585-716 111

Denmark

GRUNDFOS DK A/S
Martin Bachs Vej 3
DK-8850 Bjerringbro
Tlf.: +45-87 50 50 50
Telefax: +45-87 50 51 51
E-mail: info_GDK@grundfos.com
www.grundfos.com/DK

Estonia

GRUNDFOS Pumps Eesti OÜ
Peterburi tee 92G
11415 Tallinn
Tel: + 372 606 1690
Fax: + 372 606 1691

Finland

OY GRUNDFOS Pumput AB
Trukkikuja 1
FI-01360 Vantaa
Phone: +358-(0) 207 889 500

France

Pompes GRUNDFOS Distribution S.A.
Parc d'Activités de Chesnes
57, rue de Malacombe
F-38290 St. Quentin Fallavier (Lyon)
Tél.: +33-4 74 82 15 15
Télécopie: +33-4 74 94 10 51

Germany

GRUNDFOS GMBH
Schlüterstr. 33
40699 Erkrath
Tel.: +49-(0) 211 929 69-0
Telefax: +49-(0) 211 929 69-3799
e-mail: infoservice@grundfos.de
Service in Deutschland:
e-mail: kundendienst@grundfos.de

Greece

GRUNDFOS Hellas A.E.B.E.
20th km. Athinon-Markopoulou Av.
P.O. Box 71
GR-19002 Peania
Phone: +0030-210-66 83 400
Telefax: +0030-210-66 46 273

Hong Kong

GRUNDFOS Pumps (Hong Kong) Ltd.
Unit 1, Ground floor
Siu Wai Industrial Centre
29-33 Wing Hong Street &
68 King Lam Street, Cheung Sha Wan
Kowloon
Phone: +852-27861706 / 27861741
Telefax: +852-27858664

Hungary

GRUNDFOS Hungária Kft.
Tópark u. 8
H-2045 Törökbálint,
Phone: +36-23 511 110
Telefax: +36-23 511 111

India

GRUNDFOS Pumps India Private
Limited
118 Old Mahabalipuram Road
Thoraipakkam
Chennai 600 096
Phone: +91-44 2496 6800

Indonesia

PT. GRUNDFOS POMPA
Graha Intirub Lt. 2 & 3
Jln. Cililitan Besar No.454. Makasar,
Jakarta Timur
ID-Jakarta 13650
Phone: +62 21-469-51900
Telefax: +62 21-460 6910 / 460 6901

Ireland

GRUNDFOS (Ireland) Ltd.
Unit A, Merrywell Business Park
Ballymount Road Lower
Dublin 12
Phone: +353-1-4089 800
Telefax: +353-1-4089 830

Italy

GRUNDFOS Pompe Italia S.r.l.
Via Gran Sasso 4
I-20060 Truccazzano (Milano)
Tel.: +39-02-95838112
Telefax: +39-02-95309290 / 95838461

Japan

GRUNDFOS Pumps K.K.
1-2-3, Shin-Miyakoda, Kita-ku,
Hamamatsu
431-2103 Japan
Phone: +81 53 428 4760
Telefax: +81 53 428 5005

Korea

GRUNDFOS Pumps Korea Ltd.
679 Floor, Aju Building 679-5
Yeoksam-dong, Kangnam-ku, 135-916
Seoul, Korea
Phone: +82-2-5317 600
Telefax: +82-2-5633 725

Latvia

SIA GRUNDFOS Pumps Latvia
Deglava biznesa centrs
Augusta Deglava iela 60, LV-1035, Rīga,
Tālr.: + 371 714 9640, 7 149 641
Faks: + 371 914 9646

Lithuania

GRUNDFOS Pumps UAB
Smolensko g. 6
LT-03201 Vilnius
Tel: + 370 52 395 430
Fax: + 370 52 395 431

Malaysia

GRUNDFOS Pumps Sdn. Bhd.
7 Jalan Peguam U1/25
Glenmarie Industrial Park
40150 Shah Alam
Selangor
Phone: +60-3-5569 2922
Telefax: +60-3-5569 2866

Mexico

Bombas GRUNDFOS de México S.A. de
C.V.
Boulevard TLC No. 15
Parque Industrial Stiva Aeropuerto
Apodaca, N.L. 66600
Phone: +52-81-8144 4000
Telefax: +52-81-8144 4010

Netherlands

GRUNDFOS Netherlands
Veluwezoom 35
1326 AE Almere
Postbus 22015
1302 CA ALMERE
Tel.: +31-88-478 6336
Telefax: +31-88-478 6332
E-mail: info_gnl@grundfos.com

New Zealand

GRUNDFOS Pumps NZ Ltd.
17 Beatrice Tinsley Crescent
North Harbour Industrial Estate
Auckland
Phone: +64-9-415 3240
Telefax: +64-9-415 3250

Norway

GRUNDFOS Pumper A/S
Strømsveien 344
Postboks 235, Leirdal
N-1011 Oslo
Tlf.: +47-22 90 47 00
Telefax: +47-22 32 21 50

Poland

GRUNDFOS Pompy Sp. z o.o.
ul. Klonowa 23
Baranowo k. Poznania
PL-62-081 Przeźmierowo
Tel: (+48-61) 650 13 00
Fax: (+48-61) 650 13 50

Portugal

Bombas GRUNDFOS Portugal, S.A.
Rua Calvet de Magalhães, 241
Apartado 1079
P-2770-153 Paço de Arcos
Tel.: +351-21-440 76 00
Telefax: +351-21-440 76 90

Romania

GRUNDFOS Pompe România SRL
Bd. Biruintei, nr 103
Pantelimon county Ilfov
Phone: +40 21 200 4100
Telefax: +40 21 200 4101
E-mail: romania@grundfos.ro

Russia

ООО Грундфос Россия
ул. Школьная, 39-41
Москва, RU-109544, Russia
Тел. (+7) 495 564-88-00 (495) 737-30-00
Факс (+7) 495 564 8811
E-mail grundfos.moscow@grundfos.com

Serbia

Grundfos Srbija d.o.o.
Omladinskih brigada 90b
11070 Novi Beograd
Phone: +381 11 2258 740
Telefax: +381 11 2281 769
www.rs.grundfos.com

Singapore

GRUNDFOS (Singapore) Pte. Ltd.
25 Jalan Tukang
Singapore 619264
Phone: +65-6681 9688
Telefax: +65-6681 9689

Slovakia

GRUNDFOS s.r.o.
Prievozská 4D
821 09 BRATISLAVA
Phona: +421 2 5020 1426
sk.grundfos.com

Slovenia

GRUNDFOS LJUBLJANA, d.o.o.
Leskokoška 9e, 1122 Ljubljana
Phone: +386 (0) 1 568 06 10
Telefax: +386 (0) 1 568 06 19
E-mail: tehnika-si@grundfos.com

South Africa

Grundfos (PTY) Ltd.
16 Lascelles Drive, Meadowbrook Estate
1609 Germiston, Johannesburg
Tel.: (+27) 10 248 6000
Fax: (+27) 10 248 6002
E-mail: lgradidge@grundfos.com

Spain

Bombas GRUNDFOS España S.A.
Camino de la Fuentecilla, s/n
E-28110 Algete (Madrid)
Tel.: +34-91-848 8800
Telefax: +34-91-628 0465

Sweden

GRUNDFOS AB
Box 333 (Lunnagårdsgatan 6)
431 24 Mölndal
Tel.: +46 31 332 23 000
Telefax: +46 31 331 94 60

Switzerland

GRUNDFOS Pumpen AG
Bruggacherstrasse 10
CH-8117 Fällanden/ZH
Tel.: +41-44-806 8111
Telefax: +41-44-806 8115

Taiwan

GRUNDFOS Pumps (Taiwan) Ltd.
7 Floor, 219 Min-Chuan Road
Taichung, Taiwan, R.O.C.
Phone: +886-4-2305 0868
Telefax: +886-4-2305 0878

Thailand

GRUNDFOS (Thailand) Ltd.
92 Chaloein Phrakiat Rama 9 Road,
Dokmai, Pravej, Bangkok 10250
Phone: +66-2-725 8999
Telefax: +66-2-725 8998

Turkey

GRUNDFOS POMPA San. ve Tic. Ltd.
Sti.
Gebze Organize Sanayi Bölgesi
İhsan dede Caddesi,
2. yol 200. Sokak No. 204
41490 Gebze/ Kocaeli
Phone: +90 - 262-679 7979
Telefax: +90 - 262-679 7905
E-mail: satis@grundfos.com

Ukraine

Бізнес Центр Європа
Столичне шосе, 103
м. Київ, 03131, Україна
Телефон: (+38 044) 237 04 00
Факс.: (+38 044) 237 04 01
E-mail: ukraine@grundfos.com

United Arab Emirates

GRUNDFOS Gulf Distribution
P.O. Box 16768
Jebel Ali Free Zone
Dubai
Phone: +971 4 8815 166
Telefax: +971 4 8815 136

United Kingdom

GRUNDFOS Pumps Ltd.
Grovebury Road
Leighton Buzzard/Beds. LU7 4TL
Phone: +44-1525-850000
Telefax: +44-1525-850011

U.S.A.

GRUNDFOS Pumps Corporation
9300 Loiret Blvd.
Lenexa, Kansas 66219
Phone: +1-913-227-3400
Telefax: +1-913-227-3500

Uzbekistan

Grundfos Tashkent, Uzbekistan The
Representative Office of Grundfos
Kazakhstan in Uzbekistan
38a, Oybek street, Tashkent
Телефон: (+998) 71 150 3290 / 71 150 3291
Факс: (+998) 71 150 3292

Addresses Revised 15.01.2019

99252703 0519

ECM: 1260896

Trademarks displayed in this material, including but not limited to Grundfos, the Grundfos logo and "be think innovate" are registered trademarks owned by The Grundfos Group. All rights reserved. © 2019 Grundfos Holding A/S, all rights reserved.